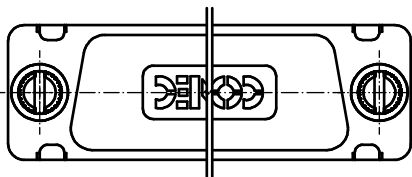
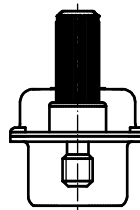
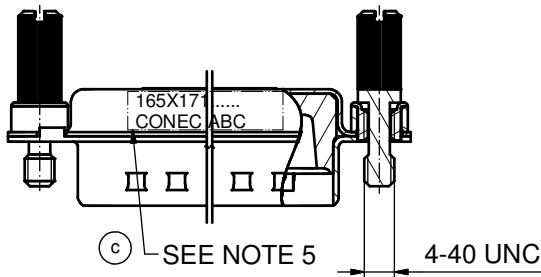
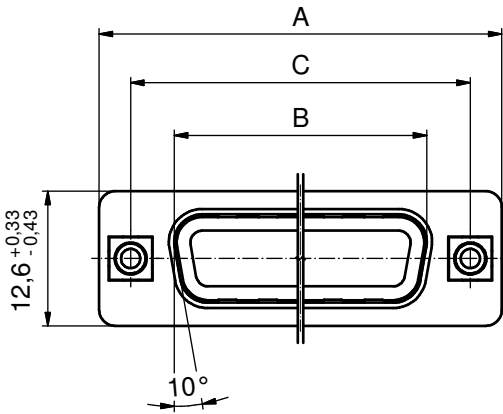
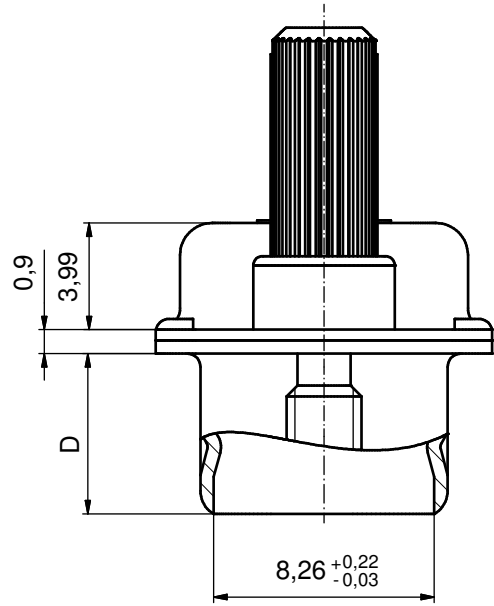


No. of pos.	A _{-0,76}	B _{+0,25}	C	D _{-0,3}	Part-No. Bulk package	Part-No. Single package
9	31,19	16,79	25,00 ^{+0,12} _{-0,13}	6,12	165X17109X	165X17109XE
15	39,52	25,12	33,30 ^{+0,15} _{-0,1}	6,12	165X17119X	165X17119XE
25	53,42	38,84	47,04 ± 0,13	5,99	165X17129X	165X17129XE
37	69,70	55,30	63,50 ± 0,13	5,99	165X17139X	165X17139XE

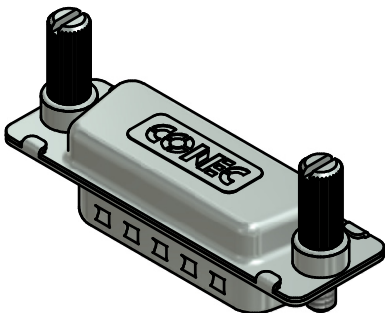
(5:1)

(b)



(c) NOTES:

1. METALSHELLS: COPPER ALLOY; min. 315µm TIN over 40-80µm NICKEL
2. INSULATOR: TPE
3. THREADED INSERTS: BRASS
4. SCREW: STEEL; NICKEL PLATED
5. CONNECTOR IS PART MARKED: PART NO. CONEC ABC



Directive 2002/95/EC RoHS compliant

THIS DRAWING MAY NOT BE COPIED OR REPRODUCED IN ANY WAY, AND MAY NOT BE PASSED ON TO A THIRD PARTY WITHOUT WRITTEN PERMISSION. OWNERSHIP AND COPYRIGHT OF CONEC GmbH DO NOT ALTER CAD DRAWING BY HAND	tolerance			dim. in mm	scale: 2:1 (5:1)	
	date				name	material: SEE NOTES
	drawn	30.07.03	Lehmenkühler	title: HOOD 9-37pos.		
	appd.	30.07.03	Mickenbecker	WATER RESISTANT AND SHIELDED; FOR EMI/RFI for socket connector, with jack screws		
	norm	DIN 41652		dwg no: Inventor 10		
2 x c	Ä3867	13.01.2011	K.H.	d-old	DIN-A3	
1 x b	Ä3781	21.10.2010	K.H.	sh: 1		
a	Origin					
rev.	description					date

X-ON Electronics

Largest Supplier of Electrical and Electronic Components

Click to view similar products for [D-Sub Backshells](#) category:

Click to view products by [CONEC](#) manufacturer:

Other Similar products are found below :

[M85049/6-38N](#) [M85049/86-12N03](#) [M85049/90-13P03](#) [70.350.0636.4](#) [70.350.2435.1](#) [72.350.1035.2](#) [72.352.2435.1](#) [73.359.4035.3](#) [829472-1](#)
[PCS-E20W](#) [970-015-040R011](#) [970-025-040R011](#) [971-009-030R121](#) [971-009-040R011](#) [971-015-040R011](#) [1437013-9](#) [1484402-8](#) [156-3025-](#)
[EX](#) [16-500800](#) [165X02659X](#) [165X03329A](#) [165X03399A](#) [165X10259X](#) [165X11759X](#) [165X11889X](#) [165X13019X](#) [165X13029X](#)
[165X13169X](#) [165X13199X](#) [165X13239X](#) [165X13389X](#) [165X13489X](#) [165X14219X](#) [165X14449X](#) [165X17409X](#) [165X17439X](#)
[165X17569X](#) [165X17599X](#) [165X17609X](#) [165X17889X](#) [165X17979X](#) [L171373](#) [971-025-030R121](#) [300X10989X](#) [165X02609X](#)
[165X02689X](#) [165X04219A](#) [165X10469X](#) [165X11279X](#) [165X11789X](#)