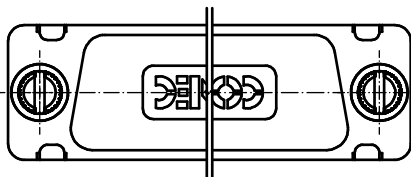
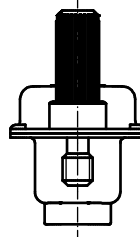
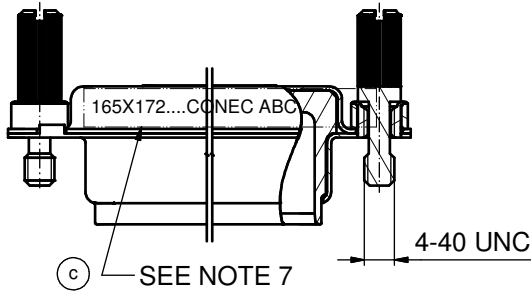
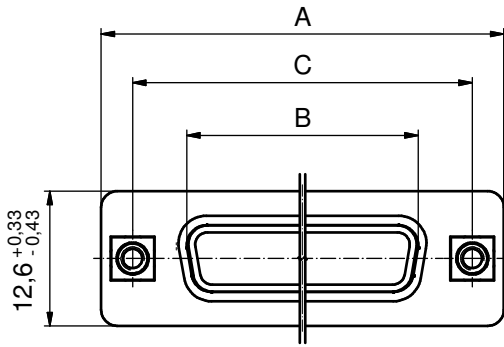
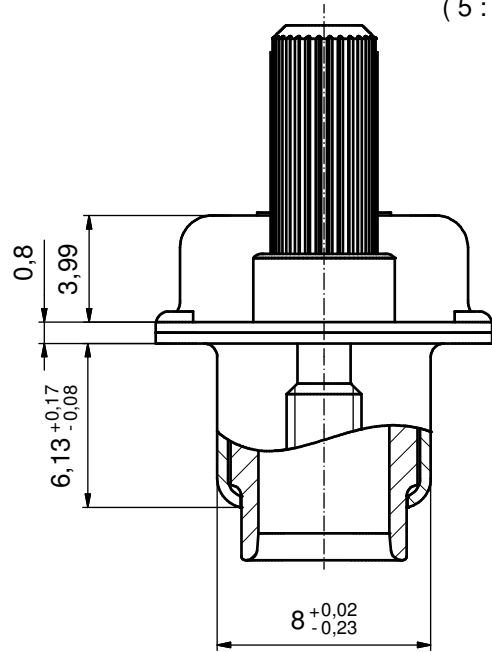


No. of pos.	A _{-0,76}	B _{+0,25}	C	Part-No.
9	31,19	16,46	25,00 ^{+0,12} _{-0,13}	165X17209X
15	39,52	24,79	33,30 ^{+0,15} _{-0,1}	165X17219X
25	53,42	38,50	47,04 ± 0,13	165X17229X
37	69,70	54,96	63,50 ± 0,13	165X17239X

(b) (c)

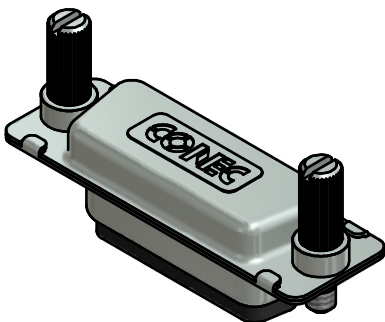
(5:1)



NOTES:

1. METALSHIELDS: COPPER ALLOY; min. 315µm TIN over 40-80µm NICKEL
2. SEALING ELEMENT: TPE
3. THREADED INSERTS: COPPER ALLOY; min. 200µm TIN over 80µm NICKEL
4. JACK SCREWS: STEEL; NICKEL PLATED
5. COLLARS: COPPER ALLOY; min. 200µm TIN over 80µm NICKEL
6. MAXIMUM TORQUE VALUE FOR THREAD: 6 in.LB

(c) 7. CONNECTOR IS PART MARKED: **PART NO. CONEC ABC**



Directive 2002/95/EC RoHS compliant

THIS DRAWING MAY NOT BE COPIED OR REPRODUCED IN ANY WAY, AND MAY NOT BE PASSED ON TO A THIRD PARTY WITHOUT WRITTEN PERMISSION. OWNERSHIP AND COPYRIGHT OF CONEC GmbH DO NOT ALTER CAD DRAWING BY HAND	tolerance		dim. in mm		scale:	2:1 (5:1)	
					material:	SEE NOTES	
					title:		HOOD 9-37pos.
							WATER RESISTANT AND SHIELDED; FOR EMI/RFI for plug connector, with jack screws
3 x c	Ä4774	31.07.2013	K.H.	d-old	dwg no:		DIN-A3
1 x b	Ä3781	21.10.2010	K.H.		16K1A1548		sh: 1
a	Original				part no:		SEE TABLE
rev.	description	date	name	CONEC ®			

X-ON Electronics

Largest Supplier of Electrical and Electronic Components

Click to view similar products for [D-Sub Tools & Hardware](#) category:

Click to view products by [CONEC](#) manufacturer:

Other Similar products are found below :

[000-01-09-132](#) [000-01-21-132](#) [000-01-31-162](#) [572019-00105-70](#) [000-01-37-162](#) [621-250-113-115](#) [D110550-2](#) [D20418-137](#) [780-518-50SG6-WS](#) [86552009](#) [86553115TLF](#) [86553117TLF](#) [1230032-1](#) [1-5021101-2](#) [1589283-4](#) [160-000-005R031](#) [16-000230](#) [160-025-004R031](#) [160-000-137R000](#) [160-020-209R000](#) [164C03939A](#) [177-505-A-2-2](#) [1-966830-8](#) [21018-6](#) [21028-2](#) [2-1393560-9](#) [JS-1000](#) [L17D204182M3E](#) [L17D53018](#) [300X10779X](#) [160X10189X](#) [160X10419X](#) [160X10959X](#) [162-000-050R000](#) [21018-5](#) [212561-3](#) [248C21550X](#) [CF15P](#) [QLOCKPOST-2](#) [D110277](#) [500-008NF1K-01](#) [500-008NF3R3KS-01](#) [500-017M09FN](#) [500-017M15MHN](#) [500-024M1](#) [500-068M3](#) [5-1393561-5](#) [C115373-0001](#) [C115373-0002](#) [3342-4-KIT](#)