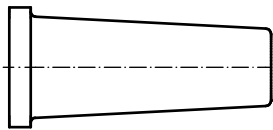


CABLE STRAIN RELIEF (1x)



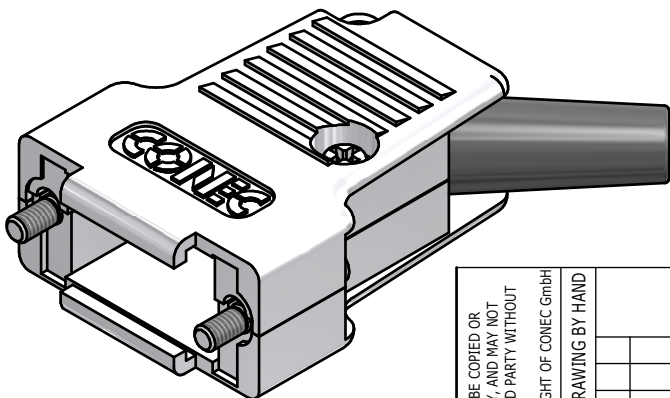
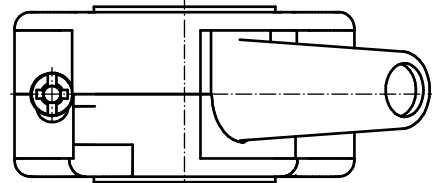
CABLE BUSHING (1x)



SHORT SCREW (2x)



LENS HEAD SCREW (4x)



NOTES:

1. METALHOOD: ZINC DIE CAST; NICKEL PLATED
2. CABLE STRAIN RELIEF: STEEL; NICKEL PLATED
3. CABLE BUSHING: RUBBER, BLACK
4. SHORT SCREWS: STEEL; NICKEL PLATED
5. LENS HEAD SCREW: STEEL; NICKEL PLATED

Directive 2011/65/EU RoHS compliant

THIS DRAWING MAY NOT BE COPIED OR REPRODUCED IN ANY WAY, AND MAY NOT BE PASSED ON TO A THIRD PARTY WITHOUT WRITTEN PERMISSION. OWNERSHIP AND COPYRIGHT OF CONEC GmbH

DO NOT ALTER CAD DRAWING BY HAND

rev.	description	date	name
a	Original		



tolerance	dim. in mm	scale:	2:1
		material:	SEE NOTES
date	name	title:	
drawn 05.06.2014	Heinrich	METAL HOOD	
appd. 05.06.2014	Lehmenkühler	9pos. EMI/RFI SHIELDING WITH SIDE CABLE EXIT with cable bushing, cable strain relief and jack screws	
norm		dwg no:	DIN-A3
d-old			sh: 1
		part no:	165X17609X

## X-ON Electronics

Largest Supplier of Electrical and Electronic Components

*Click to view similar products for [D-Sub Backshells](#) category:*

*Click to view products by [CONEC](#) manufacturer:*

Other Similar products are found below :

[M85049/6-38N](#) [M85049/86-12N03](#) [M85049/90-13P03](#) [70.350.0636.4](#) [70.350.2435.1](#) [72.350.1035.2](#) [72.352.2435.1](#) [73.359.4035.3](#) [829472-1](#)  
[PCS-E20W](#) [970-015-040R011](#) [970-025-040R011](#) [971-009-030R121](#) [971-009-040R011](#) [971-015-040R011](#) [1437013-9](#) [1484402-8](#) [156-3025-](#)  
[EX](#) [16-500800](#) [165X02659X](#) [165X03329A](#) [165X03399A](#) [165X10259X](#) [165X11759X](#) [165X11889X](#) [165X13019X](#) [165X13029X](#)  
[165X13169X](#) [165X13199X](#) [165X13239X](#) [165X13389X](#) [165X13489X](#) [165X14219X](#) [165X14449X](#) [165X17409X](#) [165X17439X](#)  
[165X17569X](#) [165X17599X](#) [165X17609X](#) [165X17889X](#) [165X17979X](#) [L171373](#) [971-025-030R121](#) [300X10989X](#) [165X02609X](#)  
[165X02639X](#) [165X02689X](#) [165X04219A](#) [165X10469X](#) [165X11279X](#)