

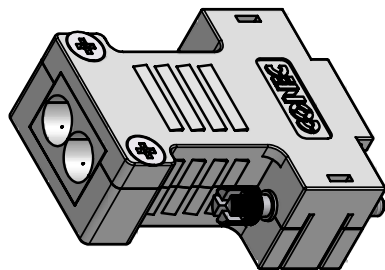
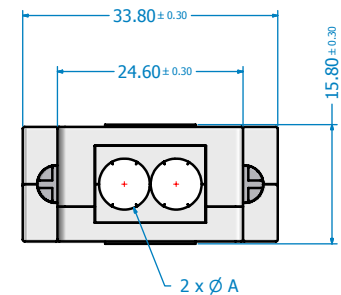
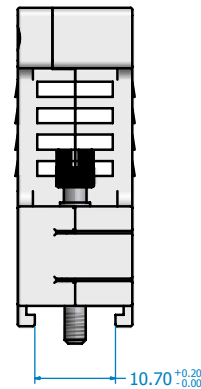
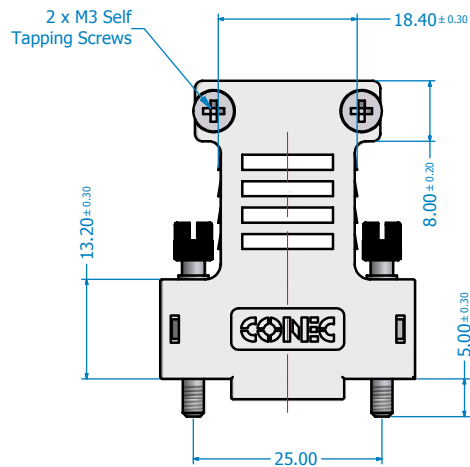
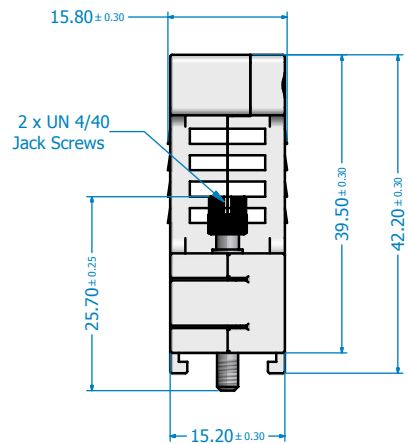
6 5 4 3 2 1

D

C

B

A



ISO VIEW

Directive 2002/95/EC
"RoHS"
Compliant

Strain Relief Hole Diameter A	For AWG Cable Size	Hood P/N
6.75 +0.10/-0	AWG8 Cable OD=6.58+/-0.13	165X17889X
4.52 +0.10/-0	AWG10 Cable OD=4.42+/-0.10 AWG12 Cable OD=3.88+/-0.10	165X17949X
3.55 +0.10/-0	AWG14 Cable OD=3.45+/-0.10 AWG16 Cable OD=2.95+/-0.10	165X17959X
3.02 +0.10/-0	AWG18 Cable OD=2.92+/-0.10 AWG20 Cable OD=2.44+/-0.10	165X17969X

NOTES:
Plastic Material: PA 6.6 GF 25, UL 94 V-0
Color: Dolphin Grey

Screw Material: Steel
Screw Finish: Nickel plated

THIS DRAWING MAY NOT BE COPIED, OR REPRODUCED IN ANY WAY AND MAY NOT BE PASSED ON TO A THIRD PARTY WITHOUT WRITTEN PERMISSION. OWNERSHIP AND COPYRIGHT OF CONEC CORPORATION DOT NOT ALTER CAD DRAWING BY HAND	Customer:			Tolerance Unless otherwise specified	Scale: 1.5:1	Dim. in mm		
	Name	Title	Approval Date	Dimensional: +/- 0.25mm Angular: +/- 1 degree				
				2005	Date	Name	Material: SEE NOTES	
				Draw.	Aug. 17	Vincent Ke		
				Appd.	Aug. 17	J.Chaudry		
				Norm				
				D-old			Title: 2W2 Hood (Straight) for Power Contacts with AWG8 to AWG20 Cable	
							Drawing No.: C0412E15A	DIN A3
							Part No.: SEE TABLE	Sheet 1/1

6 5 4 3 2 1



X-ON Electronics

Largest Supplier of Electrical and Electronic Components

Click to view similar products for [D-Sub Backshells](#) category:

Click to view products by [CONEC](#) manufacturer:

Other Similar products are found below :

[M85049/6-38N](#) [M85049/86-12N03](#) [M85049/90-13P03](#) [70.350.0636.4](#) [70.350.2435.1](#) [72.350.1035.2](#) [72.352.2435.1](#) [73.359.4035.3](#) [829472-1](#)
[PCS-E20W](#) [970-015-040R011](#) [970-025-040R011](#) [971-009-030R121](#) [971-009-040R011](#) [971-015-040R011](#) [1437013-9](#) [1484402-8](#) [156-3025-](#)
[EX](#) [16-500800](#) [165X02659X](#) [165X03329A](#) [165X03399A](#) [165X10259X](#) [165X11759X](#) [165X11889X](#) [165X13019X](#) [165X13029X](#)
[165X13169X](#) [165X13199X](#) [165X13239X](#) [165X13389X](#) [165X13489X](#) [165X14219X](#) [165X14449X](#) [165X17409X](#) [165X17439X](#)
[165X17569X](#) [165X17599X](#) [165X17609X](#) [165X17889X](#) [165X17979X](#) [L171373](#) [971-025-030R121](#) [300X10989X](#) [165X02609X](#)
[165X02639X](#) [165X02689X](#) [165X04219A](#) [165X10469X](#) [165X11279X](#)