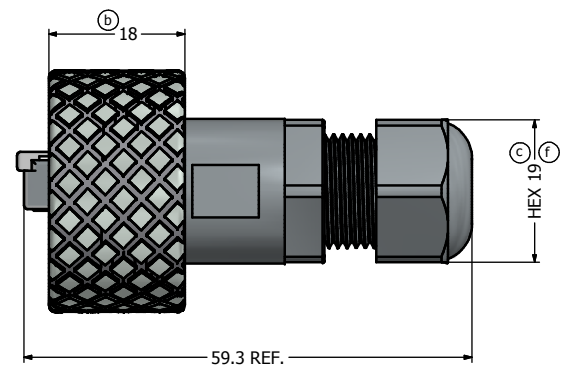
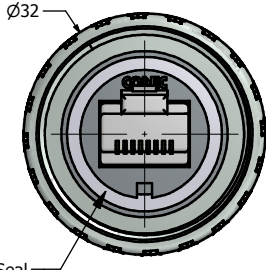
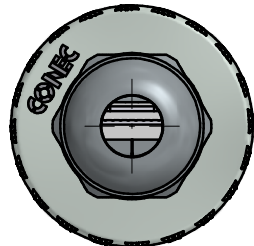
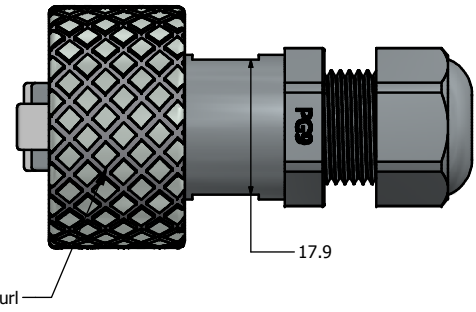
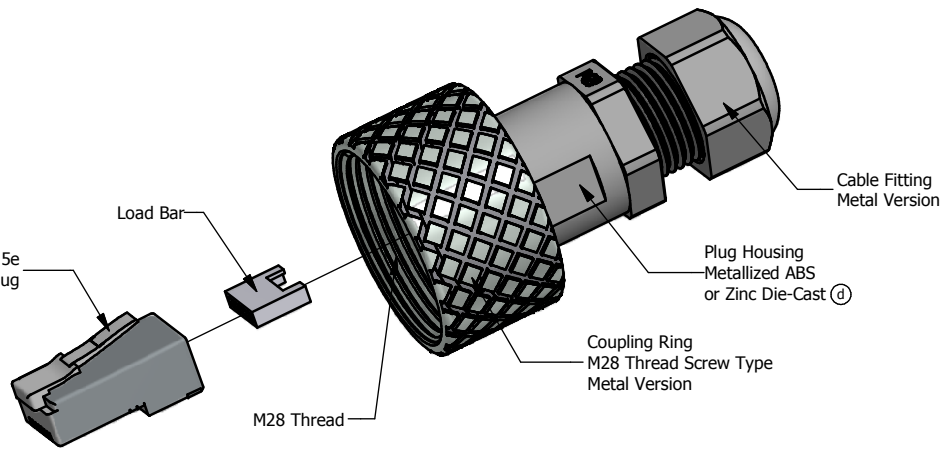


6 5 4 3 2 1



**Notes:**

- Electrical Specifications:
  - Meets EIA/TIA-568-B.2 Cat.5e Specification
  - Contact Resistance: 20mOhm max.
  - Insulation Resistance: 500MOhm min. @ 100 VDC
  - Current Rating: 1.2A max. at 25°C
  - Working Voltage: 100 VDC
  - DWV: 1000 VDC/60s Contact to Contact, 1500 VDC/60s Contact to Metal Shell
  - Operating Temperature: -40°C to +85°C
- Material and Finish:
  - Metal Coupling Ring: Brass, Nickel Plated
  - Plug Housing: Metallized ABS, UL94 V-0, or Zinc Die-Cast, Nickel Plated
  - Interfacial Seal: Silicon, Color: White
  - Cable Fitting: Brass, Nickel Plated
  - Cable Fitting Rubber Ring: NBR, Color: Black
  - RJ45 Plug Metal Shell: Copper Alloy, Nickel Plated
  - Ⓢ - RJ45 Plug Plastic Housing: Clear Polycarbonate UL94 V-2
  - RJ45 Plug Contacts: Phosphor Bronze, Finish: 50u" Gold min. over Nickel
- RJ45 Plug accepts both Stranded and Solid wires with Cable Outer Diameter of 4.83mm to 6.73mm
- Cable Gland accepts Cable Outer Diameter Range of 4.5mm to 8mm
- IP67 rated when fully mated with appropriate mating connector

Directive 2002/95/EC RoHS Compliant

Plug Housing Material and Finish	Part Number
Metallized ABS, Nickel Plated	17-100944
Zinc Die-Cast, Nickel Plated	17-103274

THIS DRAWING MAY NOT BE COPIED OR REPRODUCED IN ANY WAY AND MAY NOT BE PASSED ON TO A THIRD PARTY WITHOUT WRITTEN PERMISSION. OWNERSHIP AND COPYRIGHT OF CONEC CORPORATION. <b>DO NOT ALTER CAD DRAWING BY HAND</b>	Customer:			Tolerance Unless otherwise specified			Scale: 1.5:1	Dim. in mm			
	Name	Title	Approval Date	0 PLC ±0.50	1 PLC ±0.38		Material: See Notes Title: RJ45 Plug Kit (Metal Version) Industrial Ethernet Connector with shielded Cat. 5e RJ45 Plug	Drawing No.: 17K1A110 Part No.: SEE PART NUMBER ABOVE	DIN A3 Sheet 1/1		
	f	1 x f	Jun/23/2014	Vincent Ke	2 PLC ±0.25	2007				Date	Name
	e	1 x e	Jul/06/2011	Vincent ke	3 PLC ±0.10	Nov/26/2009				Oct. 06	Vincent Ke
	d	1 x d	Mar/31/2011	Vincent Ke	ANGLES ±3°	Nov/26/2009	Oct. 06	J. Chaudry			
c	1 x c	Nov/26/2009	Vincent Ke								
b	1 x b	Jun/01/2009	Vincent Ke								
a	original										
Rev.	Changes	Date	Name			D-old					

## X-ON Electronics

Largest Supplier of Electrical and Electronic Components

*Click to view similar products for [Modular Connectors / Ethernet Connectors](#) category:*

*Click to view products by [CONEC](#) manufacturer:*

Other Similar products are found below :

[8949-H88/06BLKA/SN](#) [74441-0010/BKN](#) [MP1010RX-1000](#) [MP44RX-1000](#) [PHJ-4P4C-1-V-4](#) [PHP-6P6C-5](#) [GAX-3-66](#) [GAX-8-62](#) [GDCX-PA-66-50](#) [GDCX-PN-64](#) [GDCX-PN-66](#) [GDCX-PN-66-50](#) [GDLX-A-66](#) [GDLX-N-66](#) [GDLX-S-66](#) [GDLX-S-88K](#) [GDLX-SMT-S-88](#) [GDTX-S-88-50](#) [GDX-PA-1010](#) [GLX-N-1010M-BLK](#) [GLX-S-88M-BLK](#) [GMX-N-1010](#) [GMX-S-1010](#) [GMX-S-66](#) [GMX-SMT4-N-88](#) [GPX-2-64](#) [GSGX-N-2-88](#) [GSGX-N-4-88](#) [GSX-NS2-88-3.05](#) [GSX-NS2-88-3.05-50](#) [GSX-NS-88-3.05-50](#) [PT-108A-8C-UL](#) [PT-J951-8C](#) [PTS-J531-8CS-50UL](#) [1-1775629-2](#) [A-2014-0-4](#) [GWLX-S-88-GR](#) [GWLX-S9-88-YG](#) [DC-1021-8-WH-6](#) [1300530003](#) [1324640-4](#) [RJ11FTVC2G](#) [RJ11FTVC2N](#) [RJFTVX2SA1G](#) [132764-001](#) [1413235](#) [MP88X-1000](#) [MPS88RX-5000](#) [E5288-S000K3-L](#) [E5908-15A242-L](#)