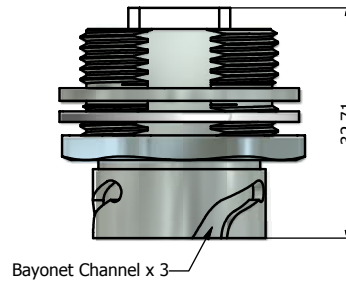
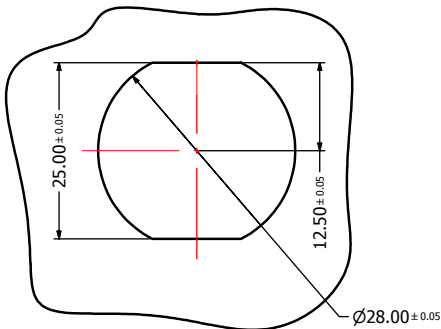
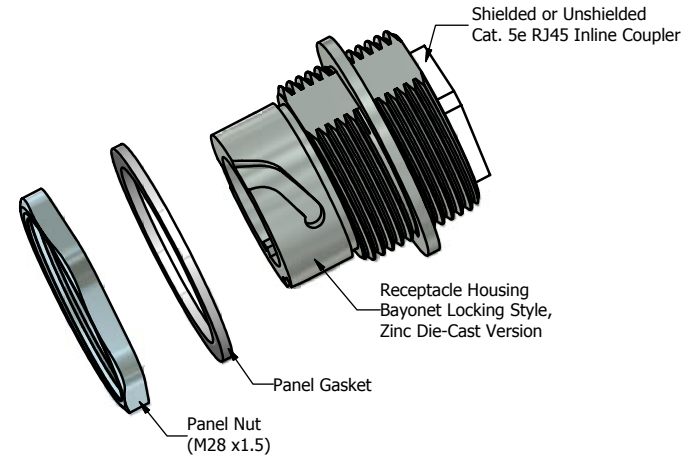


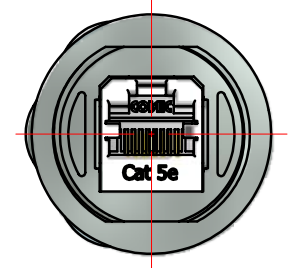
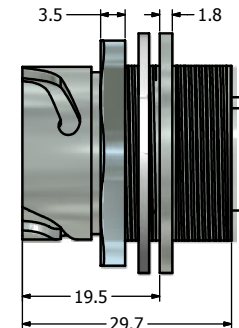
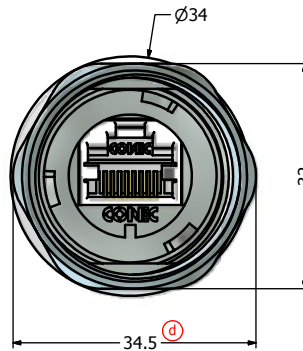
Recommended Single-D (d)  
Panel Cutout



Bayonet Channel x 3



Recommended Double-D (c)  
Panel Cutout



**Notes:**

- Electrical Specifications:
  - Meets EIA/TIA-568-B.2 Cat.5e Specification
  - Contact Resistance: 20mOhm max.
  - Insulation Resistance: 500MOhm min. @ 100 VDC
  - Current Rating: 1.2A max. at 25° C
  - Working Voltage: 100 VDC
  - DWV: 1000 VDC/60s Contact to Contact, 1500 VDC/60s Contact to Metal Shell
  - Operating Temperature: -40° C to +85° C
- Material and Finish:
  - Receptacle Housing: Zinc Die-Cast, Finish: Nickel Plated
  - Panel Nut: Brass, Finish: Nickel Plated
  - Panel Gasket: Silicon, Color: White
  - RJ45 Jack Metal Shell: Copper Alloy, Nickel Plated
  - RJ45 Jack Plastic Housing: Glass filled PBT UL94 V-0, Color: Black
  - RJ45 Jack Contacts: Phosphor Bronze, Finish: 50u" Gold min. over Nickel
- Connector can be front or rear mounted to a maximum panel thickness of 3.2mm.
- IP67 rated when covered or fully mated with the appropriate mating connector
- RoHS compliant

Directive 2002/95/EC RoHS Compliant

(b) (d)	Description	Part Number
	Nickel Plated Zinc Die-Cast with Shielded Cat5e Coupler	17-101754
	Nickel Plated Zinc Die-Cast with Unshielded Cat5e RJ45 Coupler	17-101764

THIS DRAWING MAY NOT BE COPIED, OR REPRODUCED IN ANY WAY AND MAY NOT BE PASSED ON TO A THIRD PARTY WITHOUT WRITTEN PERMISSION. OWNERSHIP AND COPYRIGHT OF CONEC CORPORATION. <b>DOT NOT ALTER CAD DRAWING BY HAND</b>	Customer:			Tolerance Unless otherwise specified			Scale: NTS	Dim. in mm	
	Name	Title	Approval Date	0 PLC ±0.50	1 PLC ±0.38		Autodesk Inventor	Material: See Notes	
				2009	Date	Name	Title: Jack Receptacle Assembly Kit with Cat. 5e RJ45 Inline Coupler Nickel Plated Zinc Die-Cast Version		
				2011	Draw. Dec. 07	Vincent Ke	Drawing No.: 17K1A144		
			2010	Appd. Dec. 07	J. Chaudry	Part No.: SEE ABOVE TABLE			
	d	3 x d	Mar/02/2011	Vincent ke	Norm	DIN A3			
	c	1 x c	Jan/28/2011	Vincent Ke	D-old	Sheet 1/1			
	b	3 x b	Dec/16/2010	Vincent ke					
	a	original							
	Rev.	Changes	Date	Name					



## X-ON Electronics

Largest Supplier of Electrical and Electronic Components

*Click to view similar products for [Modular Connectors / Ethernet Connectors](#) category:*

*Click to view products by [CONEC](#) manufacturer:*

Other Similar products are found below :

[8949-H88/06BLKA/SN](#) [74441-0010/BKN](#) [MP1010RX-1000](#) [MP44RX-1000](#) [PHJ-4P4C-1-V-4](#) [PHP-6P6C-5](#) [GAX-3-66](#) [GAX-8-62](#) [GDCX-PA-66-50](#) [GDCX-PN-64](#) [GDCX-PN-66](#) [GDCX-PN-66-50](#) [GDLX-A-66](#) [GDLX-N-66](#) [GDLX-S-66](#) [GDLX-S-88K](#) [GDLX-SMT-S-88](#) [GDTX-S-88-50](#) [GDX-PA-1010](#) [GLX-N-1010M-BLK](#) [GLX-S-88M-BLK](#) [GMX-N-1010](#) [GMX-S-1010](#) [GMX-S-66](#) [GMX-SMT4-N-88](#) [GPX-2-64](#) [GSGX-N-2-88](#) [GSGX-N-4-88](#) [GSX-NS2-88-3.05](#) [GSX-NS2-88-3.05-50](#) [GSX-NS-88-3.05-50](#) [PT-108A-8C-UL](#) [PT-J951-8C](#) [PTS-J531-8CS-50UL](#) [1-1775629-2](#) [A-2014-0-4](#) [GWLX-S-88-GR](#) [GWLX-S9-88-YG](#) [DC-1021-8-WH-6](#) [1300530003](#) [1324640-4](#) [RJ11FTVC2G](#) [RJ11FTVC2N](#) [RJFTVX2SA1G](#) [132764-001](#) [1413235](#) [MP88X-1000](#) [MPS88RX-5000](#) [E5288-S000K3-L](#) [E5908-15A242-L](#)