

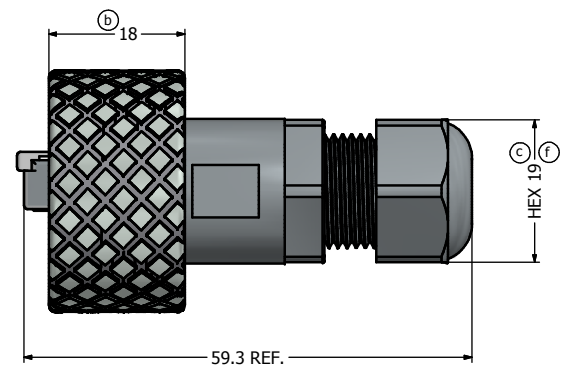
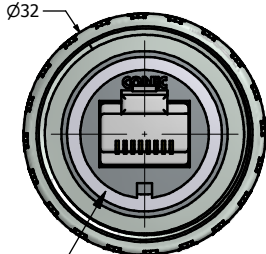
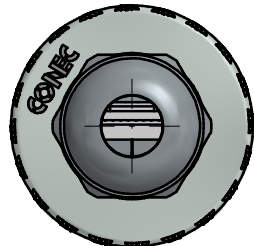
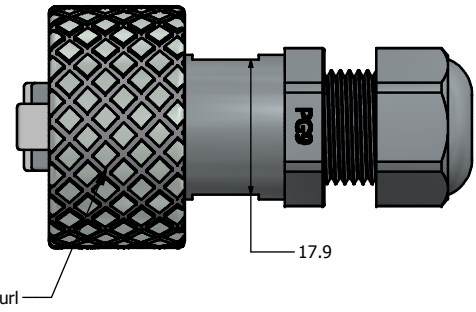
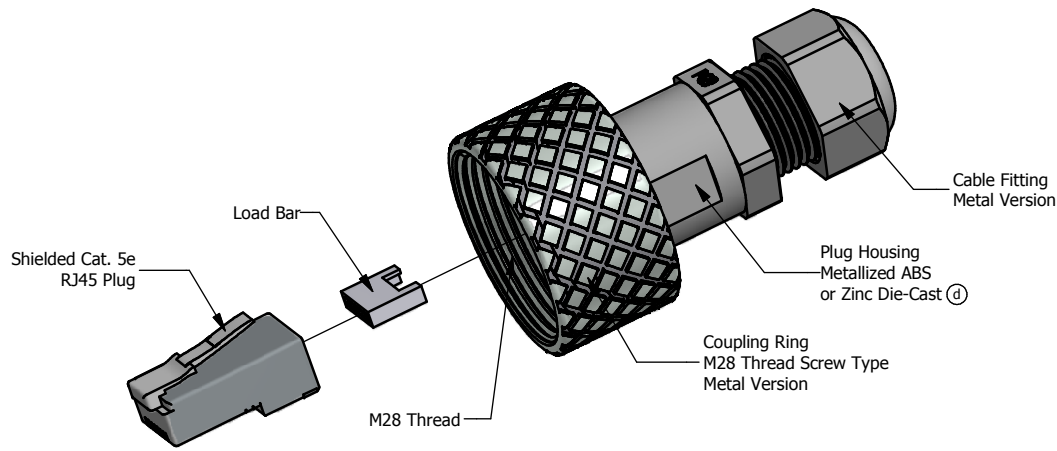
6 5 4 3 2 1

D

C

B

A



Notes:

1. Electrical Specifications:

- Meets EIA/TIA-568-B.2 Cat.5e Specification
- Contact Resistance: 20mOhm max.
- Insulation Resistance: 500MOhm min. @ 100 VDC
- Current Rating: 1.2A max. at 25°C
- Working Voltage: 100 VDC
- DWV: 1000 VDC/60s Contact to Contact, 1500 VDC/60s Contact to Metal Shell
- Operating Temperature: -40°C to +85°C

2. Material and Finish:

- Metal Coupling Ring: Brass, Nickel Plated
- Plug Housing: Metallized ABS, UL94 V-0, or Zinc Die-Cast, Nickel Plated
- Interfacial Seal: Silicon, Color: White
- Cable Fitting: Brass, Nickel Plated
- Cable Fitting Rubber Ring: NBR, Color: Black
- RJ45 Plug Metal Shell: Copper Alloy, Nickel Plated
- Ⓢ - RJ45 Plug Plastic Housing: Clear Polycarbonate UL94 V-2
- RJ45 Plug Contacts: Phosphor Bronze, Finish: 50u" Gold min. over Nickel

3. RJ45 Plug accepts both Stranded and Solid wires with Cable Outer Diameter of 4.83mm to 6.73mm

4. Cable Gland accepts Cable Outer Diameter Range of 4.5mm to 8mm

5. IP67 rated when fully mated with appropriate mating connector

Directive 2002/95/EC RoHS Compliant

Plug Housing Material and Finish	Part Number
Metallized ABS, Nickel Plated	17-100944
Zinc Die-Cast, Nickel Plated	17-103274

THIS DRAWING MAY NOT BE COPIED OR REPRODUCED IN ANY WAY AND MAY NOT BE PASSED ON TO A THIRD PARTY WITHOUT WRITTEN PERMISSION. OWNERSHIP AND COPYRIGHT OF CONEC CORPORATION. DO NOT ALTER CAD DRAWING BY HAND	Customer:			Tolerance Unless otherwise specified			Scale: 1.5:1	Dim. in mm
	Name	Title	Approval Date	0 PLC ±0.50	1 PLC ±0.38		Material: See Notes Title: RJ45 Plug Kit (Metal Version) Industrial Ethernet Connector with shielded Cat. 5e RJ45 Plug	
	f	1 x f	Jun/23/2014	Vincent Ke	2 PLC ±0.25	2007 Date Name		
	e	1 x e	Jul/06/2011	Vincent ke	3 PLC ±0.10	Draw. Oct. 06 Vincent Ke		
	d	1 x d	Mar/31/2011	Vincent Ke	ANGLES ±3°	Appd. Oct. 06 J. Chaudry		
c	1 x c	Nov/26/2009	Vincent Ke		Norm			
b	1 x b	Jun/01/2009	Vincent Ke		D-old			
a	original							
Rev.	Changes	Date	Name			Drawing No.: 17K1A110	DIN A3	
Part No.: SEE PART NUMBER ABOVE						Sheet 1/1		

6 5 4 3 2 1

D

C

B

A

X-ON Electronics

Largest Supplier of Electrical and Electronic Components

Click to view similar products for [Modular Connectors / Ethernet Connectors](#) category:

Click to view products by [CONEC](#) manufacturer:

Other Similar products are found below :

[8949-H88/06BLKA/SN](#) [74441-0010/BKN](#) [MP1010RX-1000](#) [MP44RX-1000](#) [PHJ-4P4C-1-V-4](#) [PHP-6P6C-5](#) [GAX-3-66](#) [GAX-8-62](#) [GDCX-PA-66-50](#) [GDCX-PN-64](#) [GDCX-PN-66](#) [GDCX-PN-66-50](#) [GDLX-A-66](#) [GDLX-N-66](#) [GDLX-S-66](#) [GDLX-S-88K](#) [GDLX-SMT-S-88](#) [GDTX-S-88-50](#) [GDX-PA-1010](#) [GLX-N-1010M-BLK](#) [GLX-S-88M-BLK](#) [GMX-N-1010](#) [GMX-S-1010](#) [GMX-S-66](#) [GMX-SMT4-N-88](#) [GPX-2-64](#) [GSGX-N-2-88](#) [GSGX-N-4-88](#) [GSX-NS2-88-3.05](#) [GSX-NS2-88-3.05-50](#) [GSX-NS-88-3.05-50](#) [PT-108A-8C-UL](#) [PT-J951-8C](#) [PTS-J531-8CS-50UL](#) [1-1775629-2](#) [A-2014-0-4](#) [GWLX-S-88-GR](#) [GWLX-S9-88-YG](#) [DC-1021-8-WH-6](#) [1300530003](#) [1324640-4](#) [RJ11FTVC2G](#) [RJ11FTVC2N](#) [RJFTVX2SA1G](#) [132764-001](#) [1413235](#) [MP88X-1000](#) [MPS88RX-5000](#) [E5288-S000K3-L](#) [E5908-15A242-L](#)