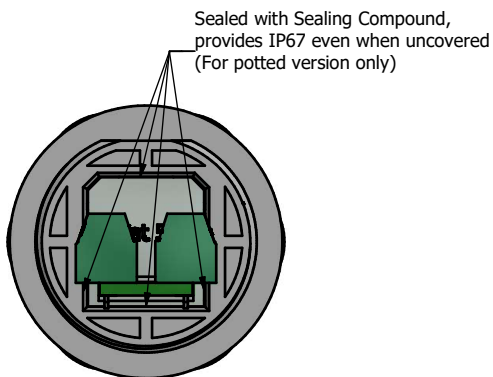


Shielded Cat.5e RJ45 Jack
with 4 pos (x2) Terminal Block
Accepts AWG16 to 28 Wires

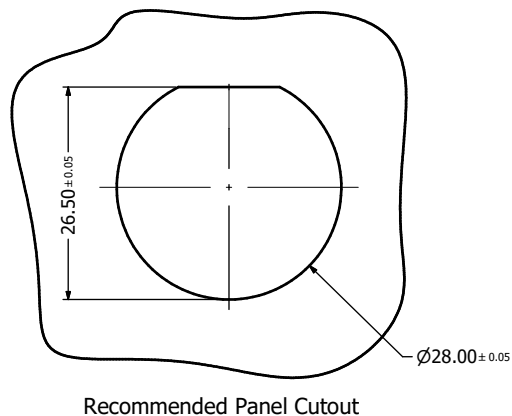
Receptacle Housing
(Plastic in different Colors
Bayonet Locking Style)

Panel Nut
(M28 x 1.5)

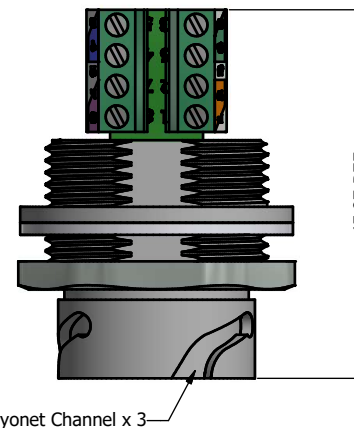
Panel Gasket



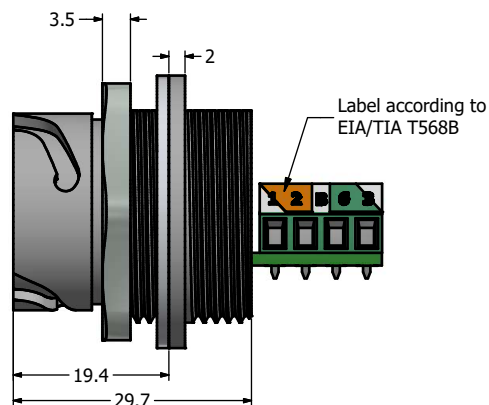
Sealed with Sealing Compound,
provides IP67 even when uncovered
(For potted version only)



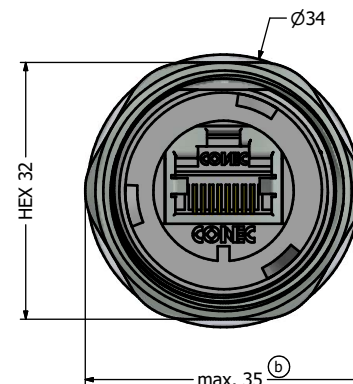
Recommended Panel Cutout



Bayonet Channel x 3



Label according to
EIA/TIA T568B



HEX 32

Ø34

max. 35 (b)

Notes:

1. Electrical Specifications:

- Meets EIA/TIA-568-B.2 Cat.5e Specification
- Contact Resistance: 20mOhm max.
- Insulation Resistance: 500MOhm min. @ 100 VDC
- Current Rating: 1.2A max. at 25°C
- Working Voltage: 100 VDC
- DWV: 1000 VDC/60s Contact to Contact, 1500 VDC/60s Contact to Metal Shell
- Operating Temperature: -40°C to +85°C

2. Material and Finish:

- Receptacle Housing: Polyester (Color: see Part Number Table); UL94 V-0
- Panel Nut: Brass, Finish: Nickel Plated
- Panel Gasket: Silicon, Color: White
- Cat.5e RJ45 Jack Metal Shell: Copper Alloy, Nickel Plated
- Cat.5e RJ45 Jack Plastic Housing: Glass filled PBT UL94 V-0, Color: Black
- Cat.5e RJ45 Jack Contacts: Phosphor Bronze, Finish: 50u" Gold min. over Nickel
- PCB: FR-4
- Terminal Block Insulator: Polyamide, UL94 V-0 Rated
- Terminal: Brass, Tin Plated
- Gage Clamp: Brass, Tin Plated
- M2 Screw: Steel, Zinc Plated

3. Connector can be front or rear mounted to a maximum panel thickness of 3.2mm.

4. Potted Version must be used, if IP67 required when not capped or mated

5. Recommended Mounting Panel Nut Torque is 20 to 25 lb-inch

Description	Colored Plastic Receptacle Housing with Shielded Cat.5e RJ45 Jack with Terminal Block					
Plastic Receptacle Housing Color	Black	Blue	Green	Yellow	Red	White
Unpotted Version Part Number	17-110054	17-110064	17-110074	17-110084	17-110094	17-110104
Potted Version Part Number	17-110114	17-110124	17-110134	17-110144	17-110154	17-110164

RoHS compliant

THIS DRAWING MAY NOT BE COPIED OR REPRODUCED IN ANY MANNER WITHOUT THE WRITTEN PERMISSION OF CONEC CORPORATION. OWNERSHIP AND COPYRIGHT OF CONEC CORPORATION.	Customer:			Tolerance Unless otherwise specified 0 PLC ±0.50 1 PLC ±0.38 2 PLC ±0.25 3 PLC ±0.10 ANGLES ±3°		Scale:	Dim. in mm
	Name	Title	Approval Date			Material: See Notes	
	2012 Date Name Draw. Oct. 09 Vincent Ke Appd. Oct. 09 J. Chaudry			Title: Receptacle Assembly Kit Colored Plastic Receptacle Housing with Cat. 5e RJ45 Jack and Terminal Block			
	1 x b	A21-04.26	03.11.2021	Bub	Drawing No.: 17K1A345		DIN A3
a	original			Part No.: SEE PART NUMBER TABLE		Sheet 1/1	
Rev	Changes	Date	Name				

X-ON Electronics

Largest Supplier of Electrical and Electronic Components

Click to view similar products for [Modular Connectors](#) / [Ethernet Connectors](#) category:

Click to view products by [CONEC](#) manufacturer:

Other Similar products are found below :

[8949-H88/06BLKA/SN](#) [74441-0010/BKN](#) [MP1010RX-1000](#) [MP44RX-1000](#) [PHJ-4P4C-1-V-4](#) [PHP-6P6C-5](#) [GAX-3-66](#) [GAX-8-62](#) [GDCX-PA-66-50](#) [GDCX-PN-64](#) [GDCX-PN-66](#) [GDCX-PN-66-50](#) [GDLX-A-66](#) [GDLX-N-66](#) [GDLX-S-66](#) [GDLX-S-88K](#) [GDLX-SMT-S-88](#) [GDTX-S-88-50](#) [GDX-PA-1010](#) [GLX-N-1010M-BLK](#) [GLX-S-88M-BLK](#) [GMX-N-1010](#) [GMX-S-1010](#) [GMX-S-66](#) [GMX-SMT4-N-88](#) [GPX-2-64](#) [GSGX-N-2-88](#) [GSGX-N-4-88](#) [GSX-NS2-88-3.05](#) [GSX-NS2-88-3.05-50](#) [GSX-NS-88-3.05-50](#) [PT-108A-8C-UL](#) [PT-J951-8C](#) [PTS-J531-8CS-50UL](#) [1-1775629-2](#) [A-2014-0-4](#) [GWLX-S-88-GR](#) [GWLX-S9-88-YG](#) [DC-1021-8-WH-6](#) [1300530003](#) [1324640-4](#) [RJ11FTVC2G](#) [RJ11FTVC2N](#) [RJFTVX2SA1G](#) [132764-001](#) [1413235](#) [MP88X-1000](#) [MPS88RX-5000](#) [E5288-S000K3-L](#) [E5908-15A242-L](#)