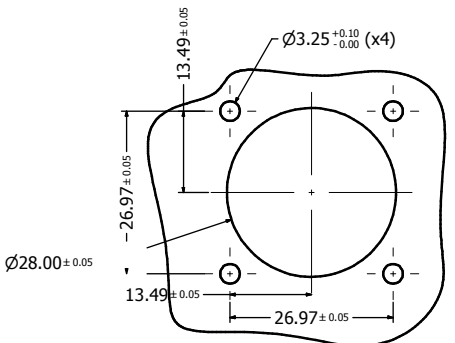
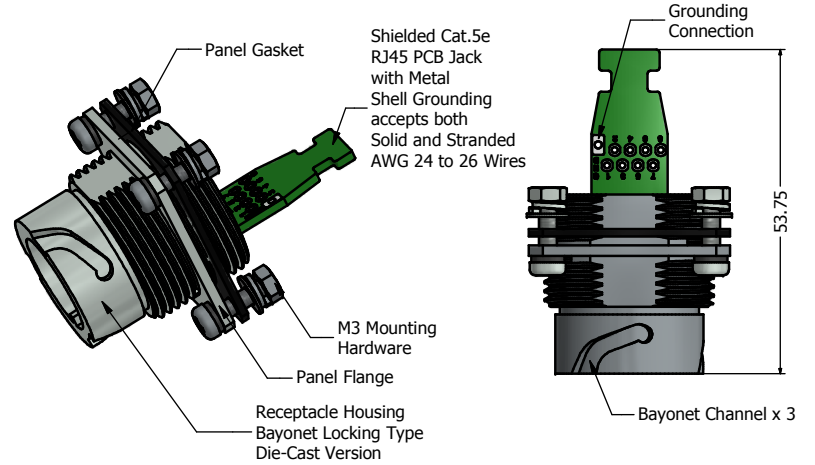


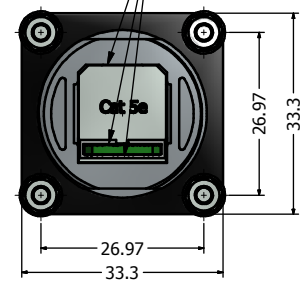
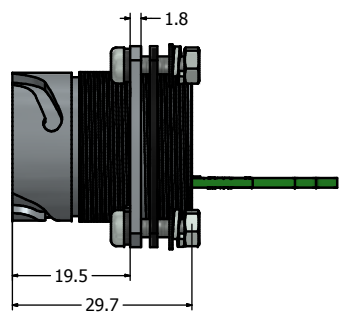
Recommended Double-D Panel Cutout



Recommended Round Panel Cutout



Sealed with Sealing Compound, provides IP67 even when uncovered (For potted version only)



- Notes:**
- Electrical Specifications:
    - Meets EIA/TIA-568-B.2 Cat.5e Specification
    - Contact Resistance: 20 mOhm max.
    - Insulation Resistance: 500MOhm min. @ 100 VDC
    - Current Rating: 1.2A max. at 25°C
    - Working Voltage: 100 VDC
    - DWV: 1000 VDC/60s Contact to Contact, 1500 VDC/60s Contact to Metal Shell
    - Operating Temperature: -40°C to +85°C
  - Material and Finish:
    - Receptacle Housing (with Flange) & Cover: Zinc Die-Cast, Finish: Nickel Plated
    - Cover Gasket: Silicon, Color: White
    - Ball Chain Assembly, Copper Alloy and Stainless steel, Nickel Plated
    - RJ45 Jack Metal Shell: Copper Alloy, Nickel Plated
    - RJ45 Jack Plastic Housing: Glass filled PBT UL94 V-0, Color: Black
    - RJ45 Jack Contacts: Phosphor Bronze, Finish: 50u" Gold min. over Nickel
    - PCB: FR-4
    - Panel Gasket: NBR, Color: Black
    - M3 Mounting Hardware: Stainless Steel
    - Includes 4 x (Screw + Nut + Flat Washer + Spring Lock Washer)
  - Connector can be front or rear mounted to a maximum panel thickness of 3.2mm.
  - IP67 rated when covered or fully mated with the appropriate mating connector
  - Hardware shipped unassembled
  - Recommended M3 screw mounting torque: 8 to 10 lb-inch
  - Supplied with a cable tie

Directive 2002/95/EC RoHS Compliant

Description	Part Number
Nickel Plated Zinc Die-Cast with Cat5e RJ45 PCB Jack + Grounding Hole + a cable tie + Cover	17-111234
Potted Nickel Plated Zinc Die-Cast with Cat5e RJ45 PCB Jack + Grounding Hole + a cable tie + Cover	17-111244

THESE DRAWINGS MAY NOT BE COPIED OR REPRODUCED IN ANY MANNER AND MAY NOT BE PASSED ON TO A THIRD PARTY WITHOUT WRITTEN PERMISSION. OWNERSHIP AND COPYRIGHT OF CONEC CORPORATION <b>DO NOT ALTER CAD DRAWING BY HAND</b>	Customer:			Tolerance Unless otherwise specified			Scale:	Dim. in mm
	Name	Title	Approval Date	0 PLC ± 0.30	1 PLC ± 0.20			
				2 PLC ± 0.10	3 PLC ± 0.05			
				ANGLES ± 1'				
			2012	Date	Name	Material: See Notes		
			Draw.	Nov. 22	Vincent Ke	Cat. 5e RJ45 PCB Jack Version-III		
			Appd.	Nov. 22	J. Chaudry	Receptacle (with Flange) + Cover Kit		
						Nickel Plated Zinc Die-Cast Version		
						Drawing No.: 17K1A387		
						Part No.: SEE PART NUMBER TABLE		
						DIN A3		
						Sheet 1/1		



## X-ON Electronics

Largest Supplier of Electrical and Electronic Components

*Click to view similar products for [Modular Connectors / Ethernet Connectors](#) category:*

*Click to view products by [CONEC](#) manufacturer:*

Other Similar products are found below :

[8949-H88/06BLKA/SN](#) [74441-0010/BKN](#) [MP1010RX-1000](#) [MP44RX-1000](#) [PHJ-4P4C-1-V-4](#) [PHP-6P6C-5](#) [GAX-3-66](#) [GAX-8-62](#) [GDCX-PA-66-50](#) [GDCX-PN-64](#) [GDCX-PN-66](#) [GDCX-PN-66-50](#) [GDLX-A-66](#) [GDLX-N-66](#) [GDLX-S-66](#) [GDLX-S-88K](#) [GDLX-SMT-S-88](#) [GDTX-S-88-50](#) [GDX-PA-1010](#) [GLX-N-1010M-BLK](#) [GLX-S-88M-BLK](#) [GMX-N-1010](#) [GMX-S-1010](#) [GMX-S-66](#) [GMX-SMT4-N-88](#) [GPX-2-64](#) [GSGX-N-2-88](#) [GSGX-N-4-88](#) [GSX-NS2-88-3.05](#) [GSX-NS2-88-3.05-50](#) [GSX-NS-88-3.05-50](#) [PT-108A-8C-UL](#) [PT-J951-8C](#) [PTS-J531-8CS-50UL](#) [1-1775629-2](#) [A-2014-0-4](#) [GWLX-S-88-GR](#) [GWLX-S9-88-YG](#) [DC-1021-8-WH-6](#) [1300530003](#) [1324640-4](#) [RJ11FTVC2G](#) [RJ11FTVC2N](#) [RJFTVX2SA1G](#) [132764-001](#) [1413235](#) [MP88X-1000](#) [MPS88RX-5000](#) [E5288-S000K3-L](#) [E5908-15A242-L](#)