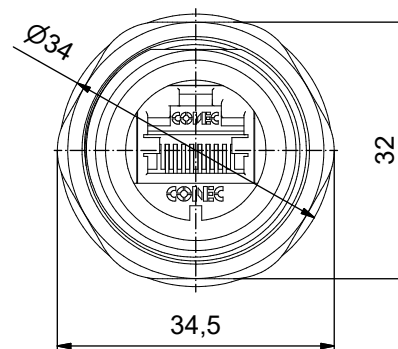
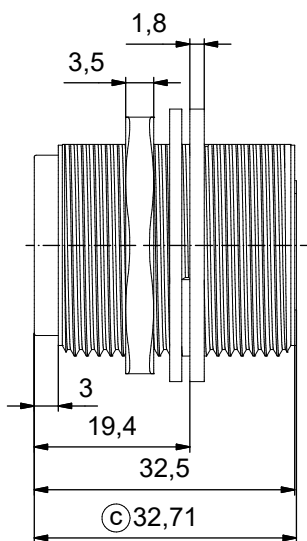
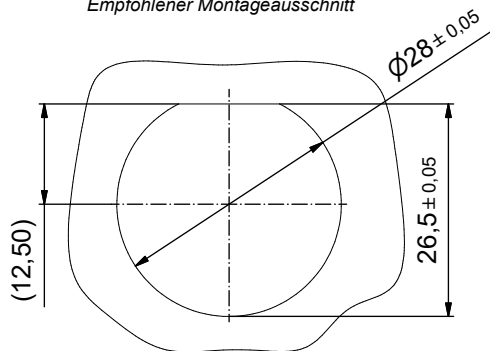


Recommended panel cut-out/
Empfohlener Montageausschnitt



C Technical specification/
Technische Daten:

Electrical specifications/
Elektrische Daten:

Meets/ Erfüllt:	ANSI/EIA-568-C.2 Cat 6A channel specification
Degree of protection/ Schutzart:	IP67, rated when covered or fully mated with the appropriate mating connector <i>IP67 bei Verwendung mit Kappe oder passendem Gegenstecker</i>
Contact resistance/ Kontaktwiderstand:	20 mOhm max.
Insulation resistance/ Isolationswiderstand:	500 MOhm min. @ 100 V DC
Current rating/ Strombelastbarkeit:	1 A max. at 25 °C
Working voltage/ Betriebsspannung:	72 V DC
Dielectric withstanding voltage/ Spannungsfestigkeit:	1000 V DC / 60 s contact to contact/ <i>Kontakt zu Kontakt</i> 1500 V DC / 60 s contact to metal shell/ <i>Kontakt zu Metall-Shell</i>
Temperature range/ Temperaturbereich:	- 40 °C ... + 85 °C

Materials/
Werkstoffe:

Receptacle housing/ Anschlussgehäuse:	Zinc die-cast, nickel plated/ <i>Zinkdruckguss, vernickelt</i>
Panel nut (M28 x 1,5)/ Einbaumutter (M28 x 1,5)	Brass, nickel plated/ <i>Messing, vernickelt</i>
Panel gasket/ Einbaudichtung:	Silicon, transparent/ <i>Silikon, transparent</i>
Cat 6A RJ45 Inline coupler metal shell/ Cat 6A RJ45 Inline-Kupplung Metall-Shell:	Copper alloy, nickel plated <i>Kupferlegierung, vernickelt</i>
Cat 6A RJ45 Inline coupler plastic housing/ Cat 6A RJ45 Inline-Kupplung Kunststoff-Gehäuse:	Glass filled PBT UL 94 V-0, <i>black/schwarz</i>
Cat 6A RJ45 Inline coupler contact/ Cat 6A RJ45 Inline-Kupplung Kontakt:	Phosphor bronze, finish: min. 50 µm gold over nickel/ <i>Veredelung: min. 50 µm Gold über Nickel</i>

Installation specification/
Montagedaten:

Recommended mounting for panel nut torque/ empfohlenes Drehmoment für Einbaumutter:	20 in.LB / max. 25 in.LB/ <i>226 Ncm / max. 282 Ncm</i>
--	--

Connector can be front or rear mounted to a maximum panel thickness of 3,2 mm/
Der Stecker eignet sich zur Vorderwand- und auch Hinterwand-Montage, bei einer maximalen Wandstärke von 3,2 mm

Part no./
Art.-Nr.
17-150144

Tolerance Unless otherwise specified		0 PLC ± 0,50 1 PLC ± 0,38 2 PLC ± 0,25 3 PLC ± 0,10 ANGLES ± 3°	dim. in mm		Receptacle Assembly Kit with full metal receptacle housing and with shielded Cat 6A RJ45 inline coupler <i>Durchführung mit Vollmetall-Anschlussgehäuse und mit geschirmter Cat 6A RJ45 Inline-Kupplung</i>
Index:	c Ä19-0015 28.03.2019 JLE	scale/ Maßstab:	1,5 : 1	dwg no / Z.-nr.:	
Status:	InBearbeitung	Date/ Datum		17K1A259	
RoHS compliant/ konform		drawn/ gezeichnet:	06.06.2011	V. Ke	
		appd./ gezeichnet:		06.06.2011	J. Chaudry
		DIN-A3		1 / 1	

This reproduction, distribution and utilization of this document as well as the communication of its contents to others without express authorization is prohibited. Offenders will be held liable for the payment of damages. For further information on other legal matters, please refer to the copyright notice. Infringement of this document may lead to legal action. Infringement of this document may lead to legal action. Infringement of this document may lead to legal action.

X-ON Electronics

Largest Supplier of Electrical and Electronic Components

Click to view similar products for [Modular Connectors / Ethernet Connectors](#) category:

Click to view products by [CONEC](#) manufacturer:

Other Similar products are found below :

[8949-H88/06BLKA/SN](#) [74441-0010/BKN](#) [MP1010RX-1000](#) [MP44RX-1000](#) [PHJ-4P4C-1-V-4](#) [PHP-6P6C-5](#) [GAX-3-66](#) [GAX-8-62](#) [GDCX-PA-66-50](#) [GDCX-PN-64](#) [GDCX-PN-66](#) [GDCX-PN-66-50](#) [GDLX-A-66](#) [GDLX-N-66](#) [GDLX-S-66](#) [GDLX-S-88K](#) [GDLX-SMT-S-88](#) [GDTX-S-88-50](#) [GDX-PA-1010](#) [GLX-N-1010M-BLK](#) [GLX-S-88M-BLK](#) [GMX-N-1010](#) [GMX-S-1010](#) [GMX-S-66](#) [GMX-SMT4-N-88](#) [GPX-2-64](#) [GSGX-N-2-88](#) [GSGX-N-4-88](#) [GSX-NS2-88-3.05](#) [GSX-NS2-88-3.05-50](#) [GSX-NS-88-3.05-50](#) [PT-108A-8C-UL](#) [PT-J951-8C](#) [PTS-J531-8CS-50UL](#) [1-1775629-2](#) [A-2014-0-4](#) [GWLX-S-88-GR](#) [GWLX-S9-88-YG](#) [DC-1021-8-WH-6](#) [1300530003](#) [1324640-4](#) [RJ11FTVC2G](#) [RJ11FTVC2N](#) [RJFTVX2SA1G](#) [132764-001](#) [1413235](#) [MP88X-1000](#) [MPS88RX-5000](#) [E5288-S000K3-L](#) [E5908-15A242-L](#)