

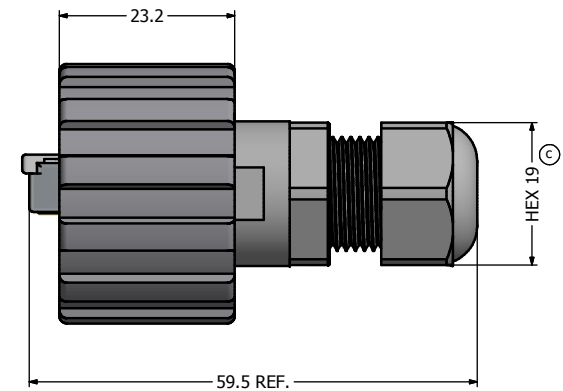
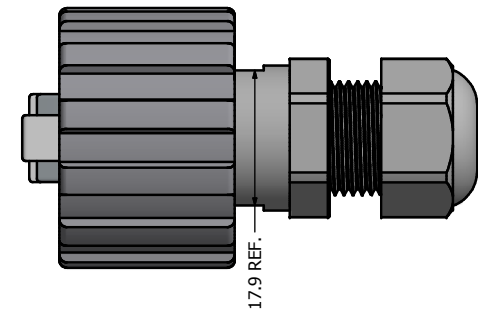
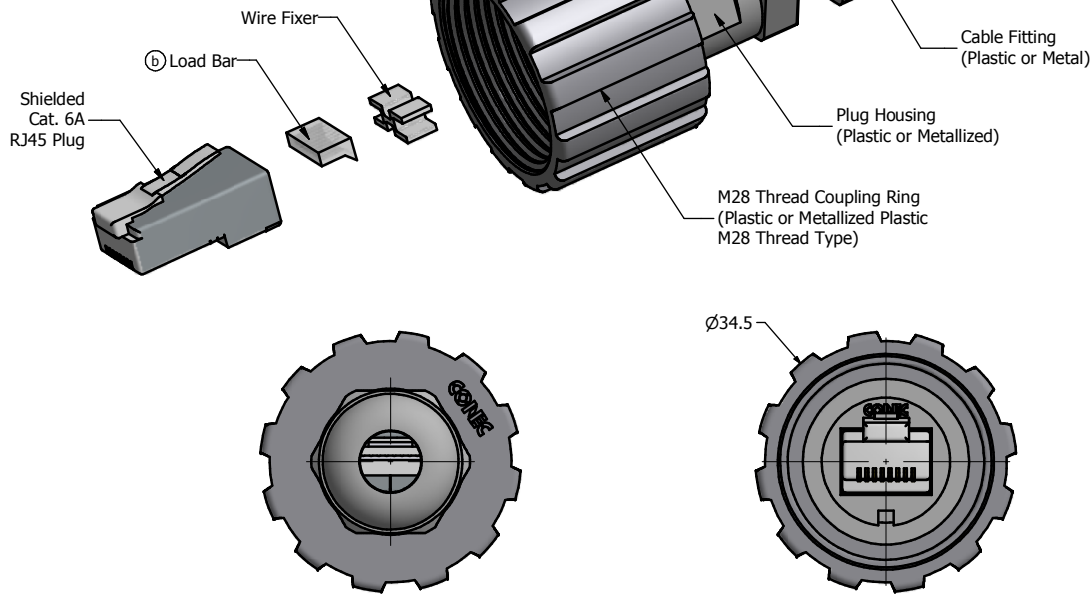
6 5 4 3 2 1

D

C

B

A



**Notes:**

1. Electrical Specifications:
  - Meets EIA/TIA-568-B.2-10 Cat.6A Channel Specification
  - Contact Resistance: 20mOhm max.
  - Insulation Resistance: 500MOhm min. @ 100 VDC
  - Current Rating: 1.2A max. at 25° C
  - Working Voltage: 100 VDC
  - DWV: 1000 VDC/60s Contact to Contact, 1500 VDC/60s Contact to Metal Shell
  - Operating Temperature: -40° C to +85° C
2. Material and Finish:
  - M28 Thread Coupling Ring and Housing: Polyester (Black) or Metallized ABS, UL94 V-0 (Nickel Plated) or Zinc Die-cast (Nickel Plated) ;
  - Cable Fitting: PA (Black), UL94 V-0 or Brass, Nickel Plated
  - Cable Fitting Rubber Ring: NBR, Color: Black
  - Cat.6A RJ45 Plug Metal Shell: Copper Alloy, Nickel Plated
  - Cat.6A RJ45 Plug Plastic Housing: Clear Polycarbonate UL94 V-2
  - Cat.6A RJ45 Plug Contacts: Phosphor Bronze, Finish: 50u" Gold min. over Nickel
3. Cat.6A RJ45 Plug accepts both Stranded and Solid Cables with Outer Diameter of 4.83mm to 6.73mm
4. Plastic Version Cable Fitting accepts Cable Outer Diameter Range of 4mm to 8mm
5. Metal Version Cable Gland accepts Cable Outer Diameter Range of 4.5mm to 8mm

**RoHS Compliant**

Version	Part Number
Plastic Version	17-150254
Metallized Plastic Version	17-150264

THIS DRAWING MAY NOT BE COPIED OR REPRODUCED IN ANY WAY AND MAY NOT BE PASSED ON TO A THIRD PARTY WITHOUT WRITTEN PERMISSION. OWNERSHIP AND COPYRIGHT OF CONEC CORPORATION DO NOT ALTER CAD DRAWING BY HAND	Customer:			Tolerance Unless otherwise specified		Autodesk Inventor	Scale: 1.5:1	Dim. in mm
	Name	Title	Approval Date	0 PLC ±0.50	1 PLC ±0.38		Material: See Notes  Title: RJ45 Cable Strain Relief Kit with shielded Cat. 6A RJ45 Plug Plastic or Metallized Plastic Version	Drawing No.: 17K1A269 Part No.: SEE PART NUMBER ABOVE
				2 PLC ±0.25	3 PLC ±0.10			
				ANGLES ±3°				
d	1 x d	Sep/17/2015	Vincent Ke	2011	Date	Name	Title: RJ45 Cable Strain Relief Kit with shielded Cat. 6A RJ45 Plug Plastic or Metallized Plastic Version	
c	2 x c	Jun/23/2014	Vincent Ke	Draw.	Jul. 06	Vincent Ke	Title: RJ45 Cable Strain Relief Kit with shielded Cat. 6A RJ45 Plug Plastic or Metallized Plastic Version	
b	1 x b	May/01/2013	Vincent Ke	Appd.	Jul. 06	J. Chaudry	Title: RJ45 Cable Strain Relief Kit with shielded Cat. 6A RJ45 Plug Plastic or Metallized Plastic Version	
a	original			Norm			Title: RJ45 Cable Strain Relief Kit with shielded Cat. 6A RJ45 Plug Plastic or Metallized Plastic Version	
Rev.	Changes	Date	Name	CONEC®		Drawing No.: 17K1A269 Part No.: SEE PART NUMBER ABOVE		DIN A3 Sheet 1/1

6 5 4 3 2 1

## X-ON Electronics

Largest Supplier of Electrical and Electronic Components

*Click to view similar products for [Modular Connectors / Ethernet Connectors](#) category:*

*Click to view products by [CONEC](#) manufacturer:*

Other Similar products are found below :

[8949-H88/06BLKA/SN](#) [74441-0010/BKN](#) [MP1010RX-1000](#) [MP44RX-1000](#) [PHJ-4P4C-1-V-4](#) [PHP-6P6C-5](#) [GAX-3-66](#) [GAX-8-62](#) [GDCX-PA-66-50](#) [GDCX-PN-64](#) [GDCX-PN-66](#) [GDCX-PN-66-50](#) [GDLX-A-66](#) [GDLX-N-66](#) [GDLX-S-66](#) [GDLX-S-88K](#) [GDLX-SMT-S-88](#) [GDTX-S-88-50](#) [GDX-PA-1010](#) [GLX-N-1010M-BLK](#) [GLX-S-88M-BLK](#) [GMX-N-1010](#) [GMX-S-1010](#) [GMX-S-66](#) [GMX-SMT4-N-88](#) [GPX-2-64](#) [GSGX-N-2-88](#) [GSGX-N-4-88](#) [GSX-NS2-88-3.05](#) [GSX-NS2-88-3.05-50](#) [GSX-NS-88-3.05-50](#) [PT-108A-8C-UL](#) [PT-J951-8C](#) [PTS-J531-8CS-50UL](#) [1-1775629-2](#) [A-2014-0-4](#) [GWLX-S-88-GR](#) [GWLX-S9-88-YG](#) [DC-1021-8-WH-6](#) [1300530003](#) [1324640-4](#) [RJ11FTVC2G](#) [RJ11FTVC2N](#) [RJFTVX2SA1G](#) [132764-001](#) [1413235](#) [MP88X-1000](#) [MPS88RX-5000](#) [E5288-S000K3-L](#) [E5908-15A242-L](#)