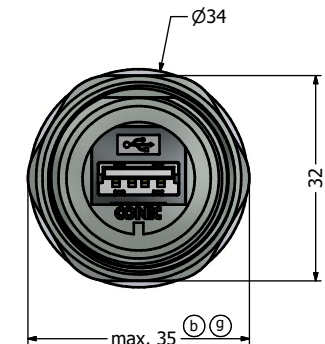
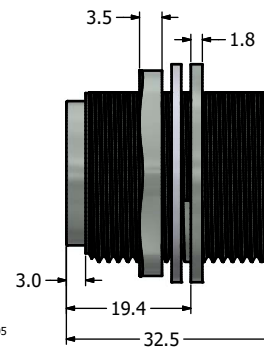


Recommended Panel Cutout (b)



**Notes:**

- Electrical Specifications:
  - Meets USB 2.0 Specification
  - Contact Resistance: 30 mOhm max.
  - Insulation Resistance: 1000 MOhm min. @ 100 VDC
  - Current Rating: 1.5 A max. at 25° C
  - Working Voltage: 30 V (RMS) max.
  - DWV: 500 VAC/60s at sea level
  - Operating Temperature: -40° C to +85° C
- Material and Finish:
  - (a) Receptacle Housing, Zinc Die-Cast, Nickel Plated
    - Metal Cover, Panel Nut: Brass, Nickel Plated
    - Ball Chain: Copper Alloy, Nickel Plated
    - Panel Gasket, Silicon, Color: White
  - (c) Cover Gasket: Silicon, Color: White
    - USB Adaptor Insulator: PBT, UL94 V-0, Black
    - USB Adaptor Metal Shell: Copper Alloy, Nickel Plated
    - USB Adaptor Overmold: PBT UL94 V-0, Black
    - USB Contacts: Copper Alloy, Finish: 30 u" Gold min. over Nickel
- Connector can be front or rear mounted to a maximum panel thickness of 3.2 mm.
- IP67 rated when fully mated with appropriate mating connector

**Pin-Assignment**

Type A F	Type A F
Pin1 -----	Pin1
Pin2 -----	Pin2
Pin3 -----	Pin3
Pin4 -----	Pin4
Shell -----	Shell

RoHS compliant

THIS DRAWING MAY NOT BE COPIED OR REPRODUCED IN ANY MANNER WITHOUT THE WRITTEN PERMISSION OF CONEC CORPORATION. OWNERSHIP AND COPYRIGHT OF CONEC CORPORATION.	Customer:							Scale: 1.2:1	Dim. in mm
	Name	Title	Approval Date	Tolerance Unless otherwise specified 0 PLC ±0.50 1 PLC ±0.38 2 PLC ±0.25 3 PLC ±0.10 ANGLES ±3°	Autodesk Inventor			Material: See Notes	
	1 x g	A21-0426	02.11.2021	Bub	2009	Date	Name	IP67 USB Receptacle + Cover Kit with USB 2.0 Type A F/F Adaptor Metal Version	
	f	1 x f	Feb/06/2014	Vincent Ke	Draw.	Jun. 05	Vincent Ke		
	e	1 x e	May/22/2013	Vincent ke	Appd.	Jun. 05	J. Chaudry		
	d	1 x d	Jan/12/2012	Vincent Ke	Norm				
	c	1 x c	Jul/12/2011	Vincent ke	D-old			Drawing No.: 17K1A250	
	b	2 x b	Mar/08/2011	Vincent ke			Part No.: 17-200431		
	a	original							DIN A3
	Rev	Changes	Date	Name			Sheet 1/1		

## X-ON Electronics

Largest Supplier of Electrical and Electronic Components

*Click to view similar products for [USB Connectors](#) category:*

*Click to view products by [CONEC](#) manufacturer:*

Other Similar products are found below :

[65-647-8-BK-BU](#) [950](#) [952](#) [E8144-B01021-L](#) [A-USB B-TOP-C](#) [MUSBA511N5](#) [MUSBD11135](#) [217450-1](#) [KMBVX-TH-5S-B30](#) [896-30-004-00-000000](#) [KUSBVX-BS1N-W30](#) [KUSBX-AP-KIT-SCBLK](#) [KUSBX-AS2N-W](#) [KUSBX-SMT2AP1S-W](#) [KUSBX-SMT2AP1S-W30](#) [935](#) [957](#) [30-498-6](#) [SK-60A-2](#) [17-210051](#) [1734082-1](#) [30-1574](#) [30-470](#) [30-489](#) [30-541](#) [30-572-3](#) [A-USB A-2P-C](#) [MIKROE-1451](#) [USBFTV2PEM2G](#) [USBFTVC6ZN](#) [KUSBX-AS2N-W30](#) [KUSBX-SLAS1N-W](#) [KUSBX-SMT-AS1N-W30](#) [4689-1](#) [1-1734084-2](#) [E8110-001-01](#) [33UBARS1-04SW11](#) [33UBAR-04SW11](#) [USBF21ZNSCC](#) [USBBFTV6ZC](#) [10135326-001LF](#) [M9177/3-1](#) [USB-A-S-F-B-VT](#) [925](#) [4198](#) [690-024-633-031](#) [KUSBEX-BSFS1N-W](#) [USBFTVC6MRG](#) [UA-20BMFA-SL8001](#) [17-250101](#)