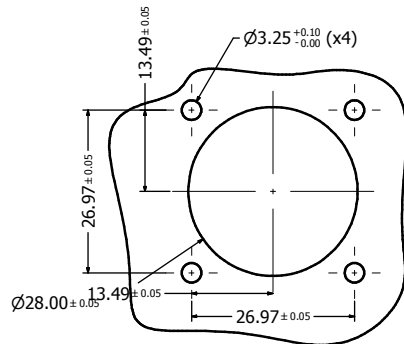
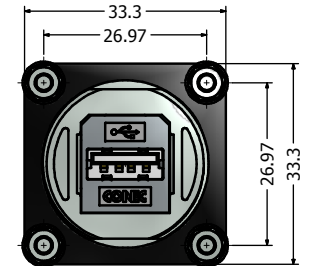
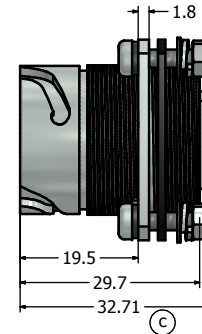
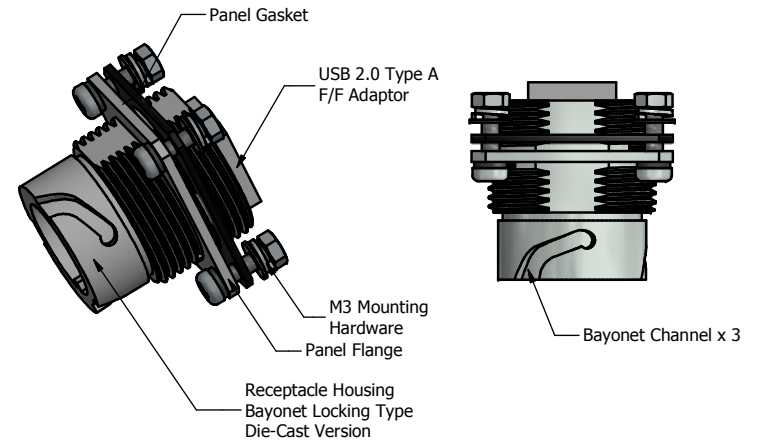


Recommended Double-D Panel Cutout



Recommended Round Panel Cutout



**Notes:**

- Electrical Specifications:
  - Meets USB 2.0 Specification
  - Contact Resistance: 30 mOhm max.
  - Insulation Resistance: 1000 MOhm min. @ 100 VDC
  - Current Rating: 1.5 A max. at 25°C
  - Working Voltage: 30 V (RMS) max.
  - DWV: 500 VAC/60s at sea level
  - Operating Temperature: -40°C to +85°C
- Material and Finish:
  - Receptacle Housing & Protective Cover: Die-Cast, Nickel Plated
  - Panel Gasket: NBR, Color: Black
  - M3 Mounting Hardware: Stainless Steel includes 4 x (screw + nut + flat washer + spring lock washer)
  - Cover Gasket: Silcon, Color: White
  - Ball Chain Assembly, Copper Alloy and Stainless steel, Nickel Plated
  - USB Adaptor Insulator: PBT, UL94 V-0, Black
  - USB Adaptor Metal Shell: Copper Alloy, Nickel Plated
  - USB Adaptor Overmold material: PBT UL94 V-0, Color: Black
  - USB Contacts: Copper Alloy, Finish: 30 u" Gold min. over Nickel
- Connector can be front or rear mounted to a maximum panel thickness of 3.2 mm.
- IP67 rated when fully mated with appropriate mating connector
- Hardware shipped unassembled
- Recommended mounting torque is 8 to 10 lb-inch

**Pin-Assignment**

Type A Female	Type A Female
Pin1 -----	Pin1
Pin2 -----	Pin2
Pin3 -----	Pin3
Pin4 -----	Pin4
Shell -----	Shell

Directive 2002/95/EC RoHS Compliant

THIS DRAWING MAY NOT BE COPIED OR REPRODUCED IN ANY MANNER AND MAY NOT BE PASSED ON TO A THIRD PARTY WITHOUT WRITTEN PERMISSION. OWNERSHIP AND COPYRIGHT OF CONEC CORPORATION <b>DO NOT ALTER CAD DRAWING BY HAND</b>	Customer:			Tolerance Unless otherwise specified			Scale:	Dim. in mm	
	Name	Title	Approval Date	0 PLC ±0.30	1 PLC ±0.20		2 PLC ±0.10	3 PLC ±0.05	ANGLES ±1°
				2012	Date	Name	Material: See Notes		
				Draw.	Sept. 27	Vincent Ke	IP67 USB Type A F/F Adaptor Receptacle (with Flange) + Cover Kit Nickel Plated Zinc Die-Cast Version		
			Appd.	Sept. 27	J. Chaudry	Drawing No.: 17K1A355			
					Norm	Part No.: 17-210121			
	c	1 x c	May/22/2013	Vincent Ke	D-old	DIN A3			
	b	1 x b	Mar/05/2013	Vincent Ke		Sheet 1/1			
	a	original							
Rev.	Changes	Date	Name						

## X-ON Electronics

Largest Supplier of Electrical and Electronic Components

*Click to view similar products for [USB Connectors](#) category:*

*Click to view products by [CONEC](#) manufacturer:*

Other Similar products are found below :

[65-647-8-BK-BU](#) [950](#) [952](#) [E8144-B01021-L](#) [A-USB B-TOP-C](#) [MUSBA511N5](#) [MUSBD11135](#) [217450-1](#) [KMBVX-TH-5S-B30](#) [896-30-004-00-000000](#) [KUSBVX-BS1N-W30](#) [KUSBX-AP-KIT-SCBLK](#) [KUSBX-AS2N-W](#) [KUSBX-SMT2AP1S-W](#) [KUSBX-SMT2AP1S-W30](#) [935](#) [957](#) [30-498-6](#) [SK-60A-2](#) [17-210051](#) [1734082-1](#) [30-1574](#) [30-470](#) [30-489](#) [30-541](#) [30-572-3](#) [A-USB A-2P-C](#) [MIKROE-1451](#) [USBFTV2PEM2G](#) [USBFTVC6ZN](#) [KUSBX-AS2N-W30](#) [KUSBX-SLAS1N-W](#) [KUSBX-SMT-AS1N-W30](#) [4689-1](#) [1-1734084-2](#) [E8110-001-01](#) [33UBARS1-04SW11](#) [33UBAR-04SW11](#) [USBF21ZNSCC](#) [USBBFTV6ZC](#) [10135326-001LF](#) [M9177/3-1](#) [USB-A-S-F-B-VT](#) [925](#) [4198](#) [690-024-633-031](#) [KUSBEX-BSFS1N-W](#) [USBFTVC6MRG](#) [UA-20BMFA-SL8001](#) [17-250101](#)