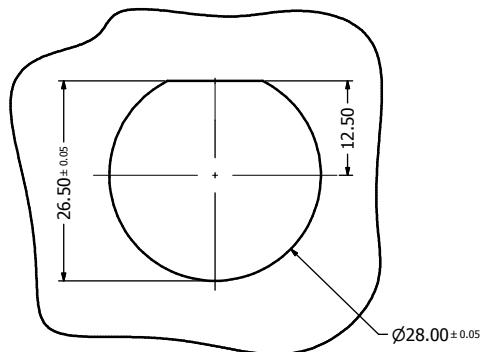


USB 3.0 Type A Female/Female Adaptor

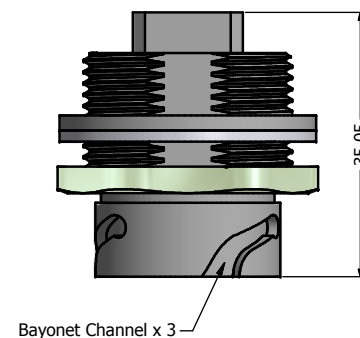
Receptacle Housing  
Plastic in different colors  
or Metallized Plastic Version  
Bayonet Locking Type

Panel Gasket

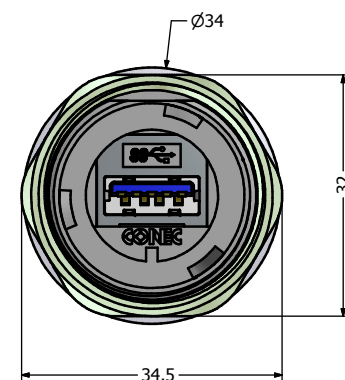
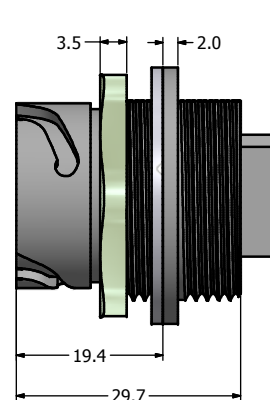
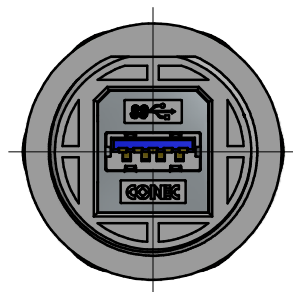
Panel Nut  
(M28 x 1.5)



Recommended Panel Cutout



Bayonet Channel x 3



**Notes:**

- Electrical Specifications:  
Meets USB 3.0 specifications  
Low level Contact Resistance:  
- 30 mOhm max for VBUS and GND Contacts  
- 50 mOhm max for all other contacts  
Insulation Resistance 1000 MOhm min.  
Current Rating: 2A max. @ 25°C  
DWV: 500V AC/60s Pin to Pin; 1000V AC/60s Pin to shell  
Operating Temperature: -40°C to +85°C

2. Material and Finish:

- Receptacle Housing: Polyester, UL94 V-0, Color: see P/N Table or ABS, Nickel Plated, UL94 V-0
- Panel Nut: Brass, Finish: Nickel Plated
- Panel Gasket: Silicon, Color: White
- USB Plastic Housing: PBT + 15%GF, UL 94V-0, Color: Black
- USB Contact Insulator: High Temperature PBT + GF, UL 94V-0, Color: Blue (Pantone 300C)
- USB Metal Shell: SUS201 with 50u" min. Nickel plating all over
- USB Contact Material: Copper Alloy
- USB Contact Finish: 30u" min. Au over 50u" min. Nickel

- Connector can be front or rear mounted to a maximum panel thickness of 3.2 mm.
- IP67 & IP68 rated when covered or fully mated with the appropriated mating connector

**Pin-Assignment**

Type A F	Type A F
Pin1 -----	Pin1
Pin2 -----	Pin2
Pin3 -----	Pin3
Pin4 -----	Pin4
Pin5 -----	Pin8
Pin6 -----	Pin9
Pin7 -----	Pin7
Pin8 -----	Pin5
Pin9 -----	Pin6
Shell -----	Shell

**RoHS Compliant**

Description	Colored Plastic Receptacle Housing with USB 3.0 Type A F/F Adaptor						Metallized Version
Receptacle Housing Color	Black	Blue	Green	Yellow	Red	White	Nickel Plated
Part Number	17-240001	17-240011	17-240021	17-240031	17-240041	17-240051	17-240061

THE DRAWING MAY NOT BE COPIED OR REPRODUCED IN ANY MANNER WITHOUT WRITTEN PERMISSION. OWNERSHIP AND COPYRIGHT OF CONEC CORPORATION.	Customer:		Tolerance Unless otherwise specified			Scale:		Dim. in mm	
	Name	Title	Approval Date	0 PLC ±0.50 1 PLC ±0.38 2 PLC ±0.25 3 PLC ±0.10 ANGLES ±3°		Material: See Notes		Title: IP67 & IP68 USB3.0 Receptacle Assembly Kit with USB 3.0 Type A F/ F Adaptor	
	2016	Date	Name	Draw.	Mar. 03	Vincent Ke	Drawing No.: 17K1A556		DIN A3
	Appd.	Mar. 03	Thomas Koch	Norm			Part No.: SEE PART NUMBER TABLE		Sheet 1/1
Rev. Changes Date Name									

## X-ON Electronics

Largest Supplier of Electrical and Electronic Components

*Click to view similar products for [USB Connectors](#) category:*

*Click to view products by [CONEC](#) manufacturer:*

Other Similar products are found below :

[65-647-8-BK-BU](#) [950](#) [952](#) [E8144-B01021-L](#) [A-USB B-TOP-C](#) [MUSBA511N5](#) [MUSBD11135](#) [217450-1](#) [KMBVX-TH-5S-B30](#) [896-30-004-00-000000](#) [KUSBVX-BS1N-W30](#) [KUSBX-AP-KIT-SCBLK](#) [KUSBX-AS2N-W](#) [KUSBX-SMT2AP1S-W](#) [KUSBX-SMT2AP1S-W30](#) [935](#) [957](#) [30-498-6](#) [SK-60A-2](#) [17-210051](#) [1734082-1](#) [30-1574](#) [30-470](#) [30-489](#) [30-541](#) [30-572-3](#) [A-USB A-2P-C](#) [MIKROE-1451](#) [USBFTV2PEM2G](#) [USBFTVC6ZN](#) [KUSBX-AS2N-W30](#) [KUSBX-SLAS1N-W](#) [KUSBX-SMT-AS1N-W30](#) [4689-1](#) [1-1734084-2](#) [E8110-001-01](#) [33UBARS1-04SW11](#) [33UBAR-04SW11](#) [USBF21ZNSCC](#) [USBBFTV6ZC](#) [10135326-001LF](#) [M9177/3-1](#) [USB-A-S-F-B-VT](#) [925](#) [4198](#) [690-024-633-031](#) [KUSBEX-BSFS1N-W](#) [USBFTVC6MRG](#) [UA-20BMFA-SL8001](#) [17-250101](#)