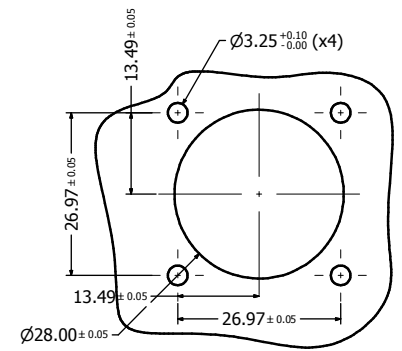
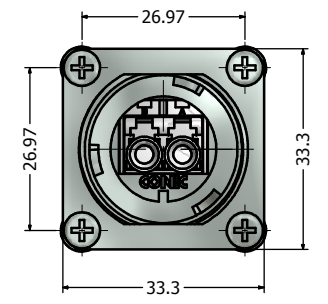
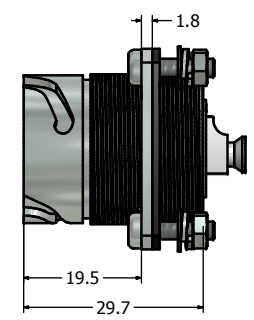
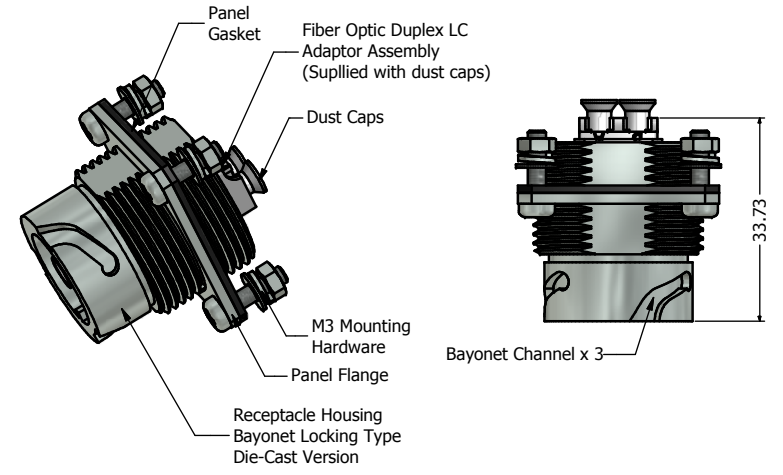


Recommended Double-D Panel Cutout



Recommended Round Panel Cutout



- Notes:**
- Material and Finish:
    - Receptacle Housing & Protective Cover: Die-Cast, Nickel Plated
    - Panel Gasket: NBR, Color: Black
    - M3 Mounting Hardware: Stainless Steel includes 4 x (screw + nut + flat washer + spring lock washer)
    - Cover Gasket: Silicon, Color: White
    - Ball Chain Assembly, Copper Alloy and Stainless steel, Nickel Plated
  - Connector can be front or rear mounted to a maximum panel thickness of 3.2mm.
  - IP67 rated when covered or fully mated with the appropriate mating connector
  - Hardware shipped unassembled

Description	Part Number
Nickel Plated Die-Cast Duplex LC Single Mode Receptacle + Cover Assembly	17-300700
Nickel Plated Die-Cast Duplex LC Multi Mode Receptacle Cover Assembly	17-300710
Nickel Plated Die-cast Duplex LC APC Single Mode Receptacle Cover Assembly	17-300720

Directive 2002/95/EC RoHS Compliant

THIS DRAWING MAY NOT BE COPIED OR REPRODUCED IN ANY WAY AND MAY NOT BE PASSED ON TO A THIRD PARTY WITHOUT WRITTEN PERMISSION. OWNERSHIP AND COPYRIGHT OF CONEC CORPORATION.	Customer:		Tolerance Unless otherwise specified			Scale:	Dim. in mm	
	Name	Title	Approval Date	0 PLC ± 0.30 1 PLC ± 0.20 2 PLC ± 0.10 3 PLC ± 0.05 ANGLES ± 1°		Autodesk Inventor	Material: See Notes	
				2012	Date	Name	Title: IP67 Industrial Duplex LC Receptacle (with Flange) + Cover Kit Nickel Plated Zinc Die-Cast Version	
				Draw.	Apr. 17	Vincent Ke		
			Appd.	Apr. 17	J. Chaudry			
				Norm		Drawing No.: 17K1A327		
				D-old		Part No.: SEE PART NUMBER TABLE		
	a	original				DIN A3		
Rev.	Changes	Date	Name			Sheet 1/1		

## X-ON Electronics

Largest Supplier of Electrical and Electronic Components

*Click to view similar products for [Fibre Optic Connectors](#) category:*

*Click to view products by [CONEC](#) manufacturer:*

Other Similar products are found below :

[0004700001](#) [6100-R](#) [6313](#) [F709034706](#) [F709722200](#) [F709730000](#) [F718183204](#) [F727403500](#) [F727752800](#) [8119](#) [9440F20-27S-190](#) [944-120-6001](#) [9441F10SL-3S](#) [9444W28-21S](#) [9444W36-10S](#) [9446F10SL-4S](#) [9446W20-16S](#) [953-101-5310-P](#) [954-101-57202B](#) [A0270169](#) [12-9122](#) [12-5702](#) [AX101713](#) [AX102420](#) [AX103923](#) [AX104024](#) [AX104193](#) [AX104230](#) [AX104498](#) [AX104562](#) [AX105203-B25](#) [AX105205-S1](#) [EHSC2M](#) [181-011-126](#) [181-011-S](#) [181-057-126](#) [HRFC-R2\(40\)](#) [NKSOPBUY](#) [20500002116](#) [2064996-1](#) [20800001065](#) [2170](#) [9132](#) [2612](#) [2620](#) [9291](#) [9440F16-10S](#) [9440F20-18S](#) [9442W14S-10P](#) [9446F16-10S-190](#)