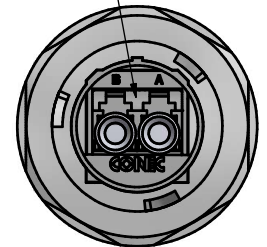
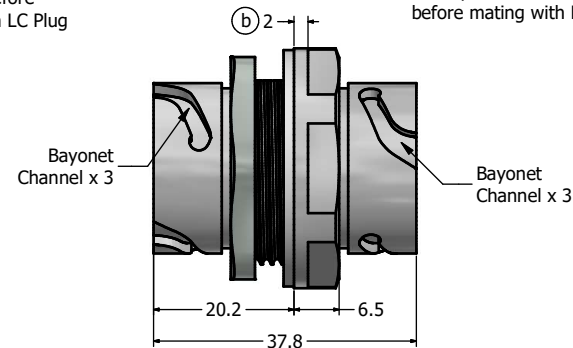
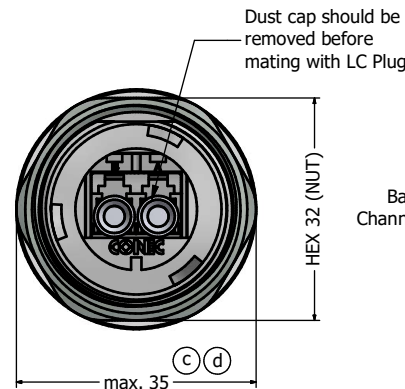


Recommended Panel Cutout

Fiber Optic Duplex LC Adaptor Assembly (Supplied with dust caps) Dust cap should be removed before mating with LC Plug



Notes:

1. Material and Finish:
 - Receptacle Housing and Cover: Polyester (Black), UL94 V-0 or ABS, Nickel Plated, UL94 V-0
 - ⓑ Panel Nut: Brass, Finish: Nickel Plated
 - Panel and Cover Gasket: Silicone, Color: White
 - Tether: Polycarbonate, Color: Black
 - Duplex LC Adaptor Assembly:
 - Housing: Mod. PPO, UL94 V-0, Color: **SM Blue/MM Beige/APC SM Green**
 - Alignment Sleeves: SM Ceramic/MM Phosphor Bronze
 - Dust Cap: PP, Color: Neutral transparent
 - Operating Temperature: -40°C to +85°C
2. Connector can be mounted to a maximum panel thickness of 3.2mm.
3. IP67 rated when covered or fully mated with the appropriate mating connector
- Ⓒ 4. Recommended Mounting Panel Nut torque is 20 to 25 lb-inch

Description	Plastic Version	Metallized Version
Single Mode (SM)	17-300820	17-300940
Multi Mode (MM)	17-300830	17-300950
APC Single Mode (APC SM)	17-300840	17-300960

THIS DRAWING MAY NOT BE COPIED OR REPRODUCED IN ANY MANNER WITHOUT THE WRITTEN PERMISSION OF CONEC CORPORATION OWNERSHIP AND COPYRIGHT © CONEC CORPORATION	Customer:			Tolerance Unless otherwise specified 0 PLC ±0.50 1 PLC ±0.38 2 PLC ±0.25 3 PLC ±0.10 ANGLES ±.3			Scale:	Dim. in mm
	Name	Title	Approval Date	2012	Date		Name	Material: See Notes Title: IP67 Industrial Duplex LC Receptacle + Cover Assembly Kit Plastic Version with bayonet on both sides
				Draw.	Sept. 28	Vincent Ke		
				Appd.	Sept. 28	J. Chaudry		
DOT NOT ALTER CAD DRAWING BY HAND	1 x d	Ä21-0426	03.11.2021	Bub	Norm		Drawing No.: 17K1A335	DIN A3
	c	3 x c	Sep/25/2013	Vincent Ke	D-old		Part No.: SEE PART NUMBER TABLE	Sheet 1/1
	b	3 x b	Jan/18/2013	Vincent Ke				
	a	original						
	Rev	Changes	Date	Name				

RoHS compliant



X-ON Electronics

Largest Supplier of Electrical and Electronic Components

Click to view similar products for [Fibre Optic Connectors](#) category:

Click to view products by [CONEC](#) manufacturer:

Other Similar products are found below :

[0004700001](#) [6100-R](#) [6313](#) [F709034706](#) [F709722200](#) [F709730000](#) [F718183204](#) [F727403500](#) [F727752800](#) [8119](#) [9440F20-27S-190](#) [944-120-6001](#) [9441F10SL-3S](#) [9444W28-21S](#) [9444W36-10S](#) [9446F10SL-4S](#) [9446W20-16S](#) [953-101-5310-P](#) [954-101-57202B](#) [A0270169](#) [12-9122](#) [12-5702](#) [AX101713](#) [AX102420](#) [AX103923](#) [AX104024](#) [AX104193](#) [AX104230](#) [AX104498](#) [AX104562](#) [AX105203-B25](#) [AX105205-S1](#) [EHSC2M](#) [181-011-126](#) [181-011-S](#) [181-057-126](#) [HRFC-R2\(40\)](#) [NKSOPBUY](#) [20500002116](#) [2064996-1](#) [20800001065](#) [2170](#) [9132](#) [2612](#) [2620](#) [9291](#) [9440F16-10S](#) [9440F20-18S](#) [9442W14S-10P](#) [9446F16-10S-190](#)