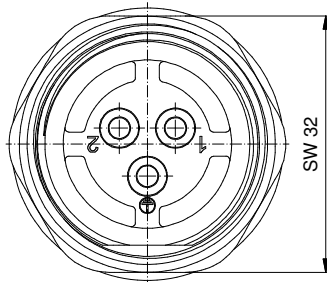
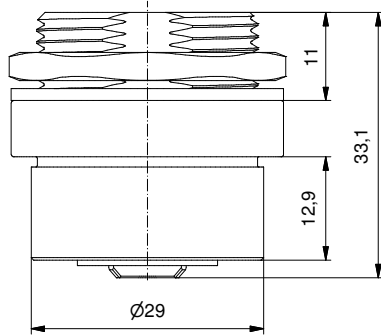
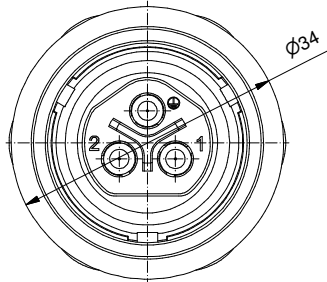
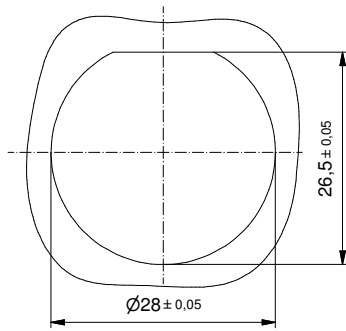
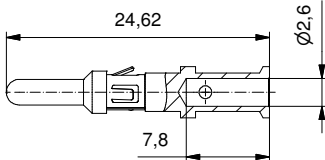


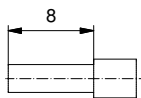
Recommended panel cut-out/  
empfohlener Montageausschnitt:



3 Contacts will be supplied loose/  
3 Kontakte werden lose geliefert



Stripping Dimensions/  
Kabelvorbereitung:



d **Technical specification:**  
**Technische Daten:**

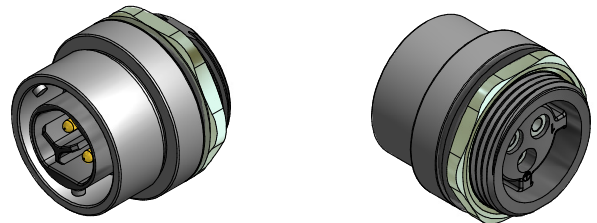
Working voltage/ Betriebsspannung:	max. 250 V AC/DC
Degree of protection/ Schutzart:	IP67, rated when covered or fully mated with the appropriate mating connector/ IP67 bei Verwendung mit Kappe oder passenden Gegenstecker
Temperature range/ Temperaturbereich:	-40 °C ... +100 °C
Current rating/ Strombelastbarkeit:	High power contact crimp; 20 A/ Hochstromkontakt crimp; 20 A can be crimped with stranded copper wires: AWG 12-14/ crimpbar an Kupferlitze: AWG 12-14
UL-listed, File No./ UL- gelistet:	E318363

**Materials/  
Werkstoffe:**

Receptacle Housing/ Steckergehäuse:	PA (black/schwarz); UL 94 V-0; UL (f1) rated
Panel nut/ Überwurfmutter:	Brass; finish: Nickel plated/ Messing; Oberfläche vernickelt
Panel gasket/ Dichtung:	Silicone, white/ Silikon, weiß
High power contact/ Hochstromkontakt:	Cu alloy, Au over Ni

**Installation specifiation/  
Montagedaten:**

Connector kit is recommended for use with UL listed copper wires/ Stecker wird für die Verwendung mit Kupferlitzen empfohlen:	AWG 12 + AWG 14
Crimp-Tool/ Crimp-Werkzeug:	360X21079X
Tool insert/ Werkzeugeinsatz:	36-000430
Selector settings/ Selektor Einstellungen:	8 for AWG 12 7 for AWG 14
Turret Position/ Kopfposition:	12
Assembly instruction/ Montageanleitung:	AI-5042-Power
Connector can be front mounted to a maximum panel thickness: Stecker für Vorderwandmontage mit maximaler Gehäusestärke:	5,9 mm



Part no. / Part marked Art.-Nr./ Bedruckung:	17-400193	Contact plating/ Kontakt Veredelung:	Power Contact 20 A/ Hochstromkontakt 20 A:	Plating, mating area: Veredelung Steckbereich: Plating, termination side: Veredelung Anschluss Seite: Plating, protection sleeve/ Veredelung Schutzhülse:	Gold flash over Nickel Gold über Nickel Tin over Nickel Zinn über Nickel Nickel plated/ vernickelt
-------------------------------------------------	-----------	-----------------------------------------	-----------------------------------------------	--------------------------------------------------------------------------------------------------------------------------------------------------------------------------	-------------------------------------------------------------------------------------------------------------------

Index: d Ä6469 13.02.17 K.H.	Scale/Maßstab: 1,5:1 (1:1)	dwg no / Z.-nr.: 17K1A425	DIN-A3 1 / 1
Status: InBearbeitung	RoHS compliant/konform		
dim. in mm IP67 Power Bayonet 3pos. Plug Kit / crimp panel mount IP67 Power-Bajonett 3pol. Stecker-Kit / crimp Gehäusemontage			

The reproduction, distribution and utilization of this document as well as the communication of its contents to third parties without express authorization is prohibited. Offenders will be held liable for the payment of damages. We reserve the right to remove or change information on this website at any time without notice.

## X-ON Electronics

Largest Supplier of Electrical and Electronic Components

*Click to view similar products for [Standard Circular Connector](#) category:*

*Click to view products by [CONEC](#) manufacturer:*

Other Similar products are found below :

[5M2530B10P](#) [600259N006](#) [600273N007](#) [6134-336-13149](#) [6134-337-11149](#) [6134-337-2390](#) [6134-341-17149](#) [6280-4SG-516](#) [6280-7SG-3DC](#)  
[6290](#) [6291A](#) [66200A-10](#) [680-SMG](#) [681-PMG](#) [CXS3102A14S2P](#) [CXS3102A181S](#) [7251-5SG-300](#) [7271-6SG-300](#) [7282-3PG-300-CH3](#) [75-](#)  
[474618-01S](#) [75-474618-04P](#) [75-474618-04S](#) [799539-000](#) [MI8-SE](#) [805-005-07NF11-19PC](#) [805-005-07NF15-7PA](#) [8280-4PG-516](#) [8280-7PG-](#)  
[519](#) [8282-5PG-519](#) [836783-1](#) [MP-4102-25P-C](#) [862256-1](#) [864019-2](#) [866857-1](#) [867865-1](#) [PT01SP-14-18P](#) [PT08P-14-5S](#) [PTSF06SE-14-12S](#)  
[120-1833-000](#) [QCM019PC2DC012B](#) [1-2069279-1](#) [121583-0217](#) [121667-0020](#) [129591AU](#) [1000B BULK](#) [RD10A16-19-P6CS051/1](#)  
[RD10A20-31-P8CS051/1](#) [RD16A14-12-S6CS051/2](#) [1301240290](#) [1301240347](#) [1301860202](#)