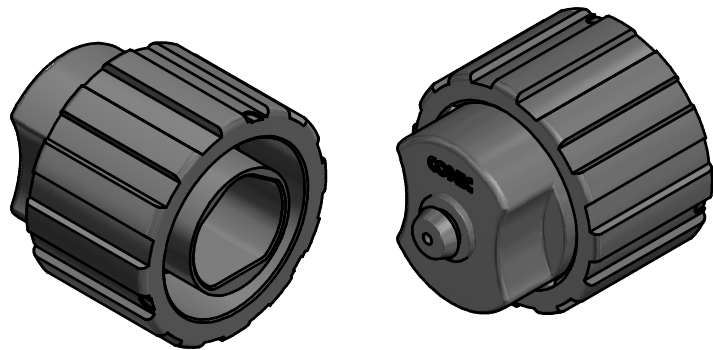
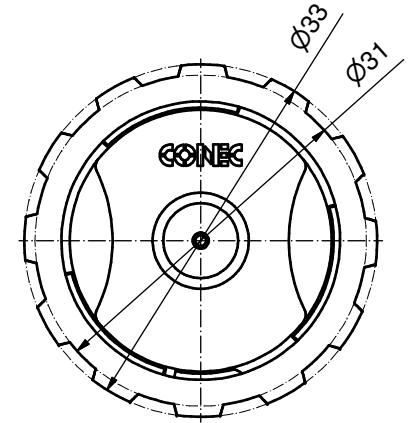
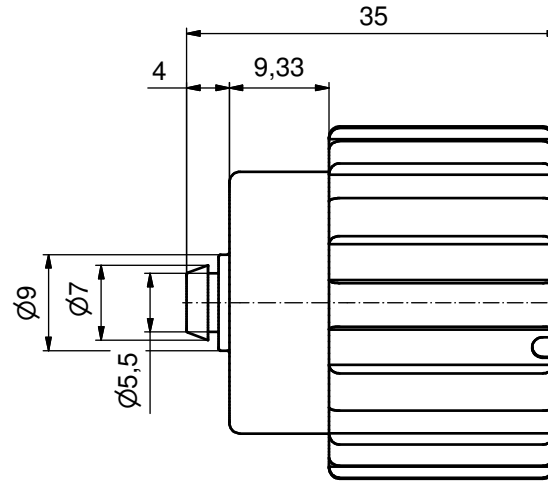
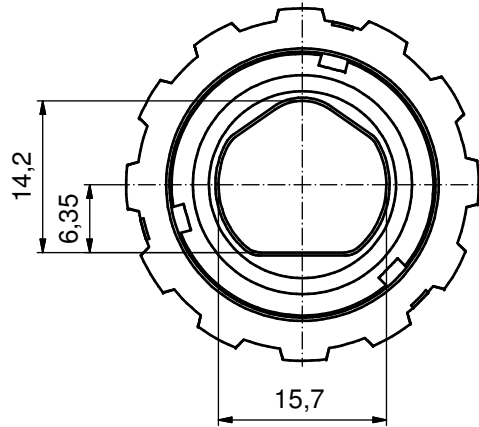
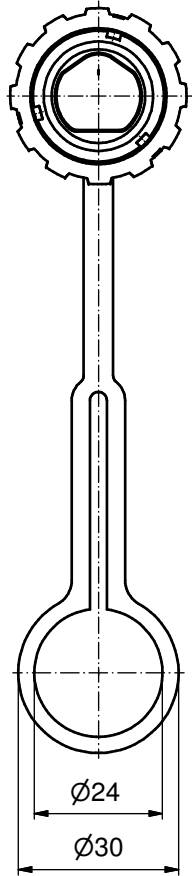


VIEWS WITHOUT TETHER



NOTES:

- MATERIAL AND FINISH:
 - COUPLER RING: PA GF (BLACK); UL94 V-0; UL (f1) RATED
 - COVER HOUSING: PA GF (BLACK); UL94 V-0; UL (f1) RATED
 - TETHER: PE-SW (BLACK),
 - INTERFACIAL SEAL: SILICONE; COLOR: WHITE
 - RETAINING RING: STAINLESS STEEL
- OPERATING TEMPERATURE: -40°C to +85°C
- IP67 RATED WHEN COVERED OR FULLY MATED WITH THE APPROPRIATE MATING CONNECTOR

RoHS compliant

THIS DRAWING MAY NOT BE COPIED OR REPRODUCED IN ANY WAY, AND MAY NOT BE PASSED ON TO A THIRD PARTY WITHOUT WRITTEN PERMISSION. OWNERSHIP AND COPYRIGHT OF CONEC GmbH DO NOT ALTER CAD DRAWING BY HAND				tolerance	dim. in mm	scale:	2:1 (1:1)	
				date		name	material:	see notes
				drawn	04.10.13	Schmidt	title: (b) Protective Cover for IP67 Duplex Power 3pos Female Cable Assembly	
				appd.	04.10.13	Strakerjahn		
				norm				
			d-old			dwg no:		
			1 x b	Ä6182	06.06.2016	K.H.		
			a	Original				
			rev.	description	date	name	part no:	17-400200
								DIN-A3
								sh: 1

X-ON Electronics

Largest Supplier of Electrical and Electronic Components

Click to view similar products for [Standard Circular Connector](#) category:

Click to view products by [CONEC](#) manufacturer:

Other Similar products are found below :

[5M2530B10P](#) [600259N006](#) [600273N007](#) [6134-336-13149](#) [6134-337-11149](#) [6134-337-2390](#) [6134-341-17149](#) [6280-4SG-516](#) [6280-7SG-3DC](#)
[6290](#) [6291A](#) [66200A-10](#) [680-SMG](#) [681-PMG](#) [CXS3102A14S2P](#) [CXS3102A181S](#) [7251-5SG-300](#) [7271-6SG-300](#) [7282-3PG-300-CH3](#) [75-](#)
[474618-01S](#) [75-474618-04P](#) [75-474618-04S](#) [799539-000](#) [MI8-SE](#) [805-005-07NF11-19PC](#) [805-005-07NF15-7PA](#) [8280-4PG-516](#) [8280-7PG-](#)
[519](#) [8282-5PG-519](#) [836783-1](#) [MP-4102-25P-C](#) [862256-1](#) [864019-2](#) [866857-1](#) [867865-1](#) [PT01SP-14-18P](#) [PT08P-14-5S](#) [PTSF06SE-14-12S](#)
[120-1833-000](#) [QCM019PC2DC012B](#) [1-2069279-1](#) [121583-0217](#) [121667-0020](#) [129591AU](#) [1000B BULK](#) [RD10A16-19-P6CS051/1](#)
[RD10A20-31-P8CS051/1](#) [RD16A14-12-S6CS051/2](#) [1301240290](#) [1301240347](#) [1301860202](#)