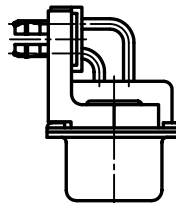
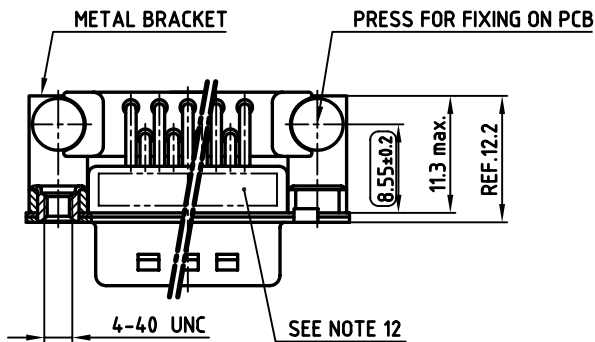
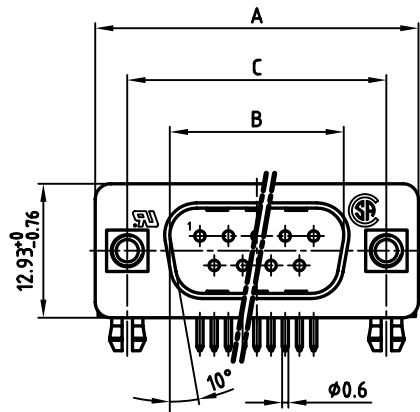
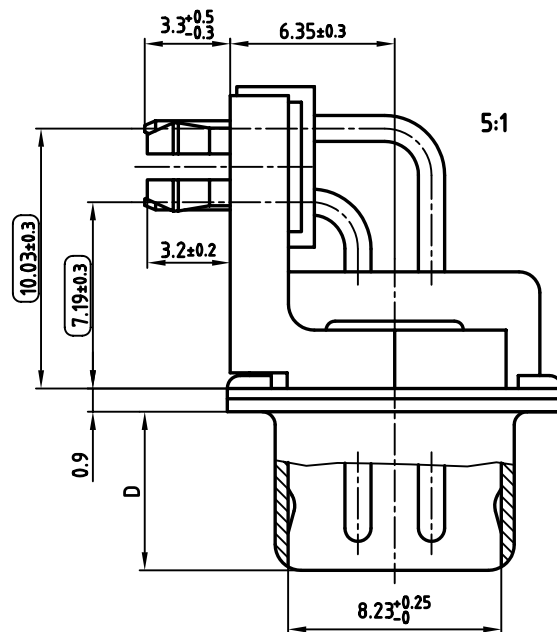


used for: D-SUB FILTER

POS.	A -0.76	B $+0.25$	C	D -0.3	Part NO.
9	31.19	16.79	25.00 -0.12 -0.13	6.12	241A16060X
15	39.52	25.12	33.30 -0.15 -0.1	6.12	241A16070X
25	53.42	38.84	47.04 ± 0.13	5.99	241A16080X
37	69.70	55.30	63.50 ± 0.13	5.99	241A16090X



NOTES:

- METALSHELLS: STEEL; min. 320 μ " TIN
- INSULATORS: PBT GF UL 94 V-0, BLACK
- CONTACTS: COPPER ALLOY
PLATING: 8 μ " HARD GOLD OVER min. 50 μ " NICKEL
- METAL BRACKET: STEEL; min. 320 μ " TIN over 80 μ " NICKEL
- THREADED INSERT: COPPER ALLOY; min. 200 μ " TIN over 80 μ " NICKEL
- PCB-SNAP: COPPER ALLOY; min. 200 μ " TIN over 80 μ " NICKEL
PCB-HOLE: $\phi 3.1 \pm 0.1$; PCB THICKNESS 1.6mm
- FIXING-PLATE: PBT GF UL 94 V-0, BLACK
- P.C.B. HOLE DRILLINGS ON SHEET 2
- CAPACITANCE: 1300pF $\pm 20\%$
- DIELECTRIC WITHSTANDING VOLTAGE: 424 VDC
- MAXIMUM TORQUE VALUE FOR THREAD: 6" LBS
- CONNECTOR IS PART MARKED: PART-NO. CONEC Y/WW
- = CHECK DIMENSION

Directive 2002/95/EC
RoHS
Compliant

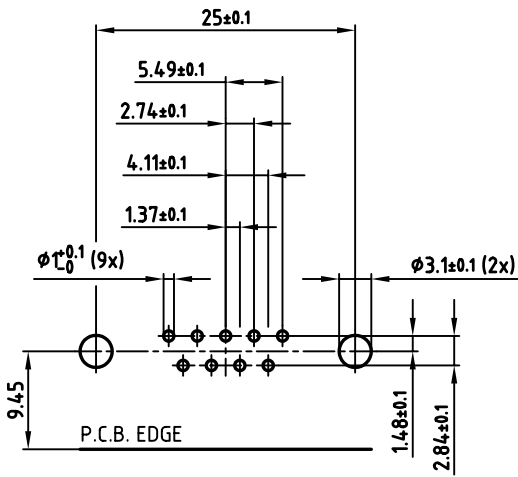
APPROVAL # FREIGABE # DEBLOCAGE # AUTORIZACION # APPROVAL	
CUSTOMER APPROVAL DATE:	
NAME:	TITLE:
COMPANY NAME:	
APPROVAL # FREIGABE # DEBLOCAGE # AUTORIZACION # APPROVAL	

THIS DRAWING MAY NOT BE COPIED OR REPRODUCED IN ANY WAY, AND MAY NOT BE PASSED ON TO A THIRD PARTY, WITHOUT WRITTEN PERMISSION. OWNERSHIP AND COPYRIGHT OF CONEC Gmbh DO NOT ALTER CAD DRAWING BY HAND

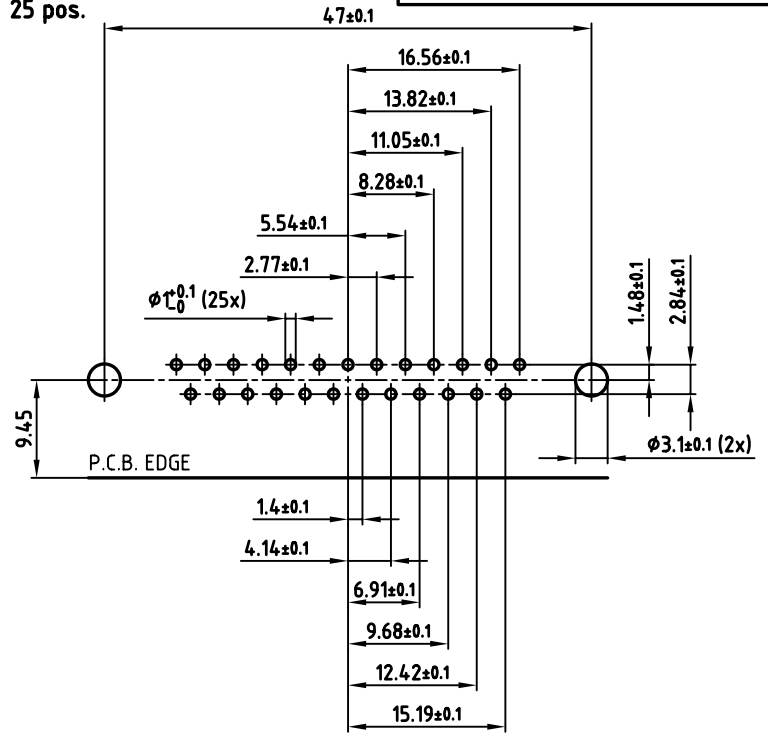
rev.	description	date	name

tolerance		scale:	2:1 (5:1)
	dim. in mm	material:	SEE NOTES
2004	date	name	D-SUB FILTER MALE 90° 9-37pos. 0.318inch threaded insert, metal bracket, fixing-plate, clip
drawn	04.06.	Lehmenkühler	
appd.	04.06.	Kühle	
norm	DIN 41652		
d-old			dwg no: AutoCAD 2004
CONEC			DIN-A
			24K1A542
			3
			sh:1/2
			part no: SEE TABLE

9 pos.

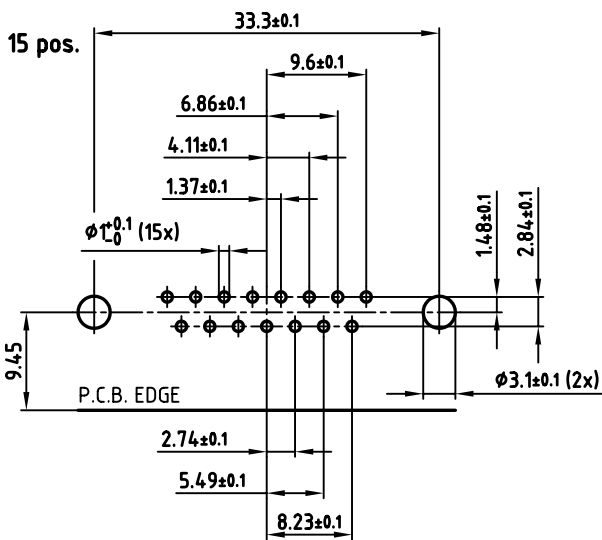


25 pos.

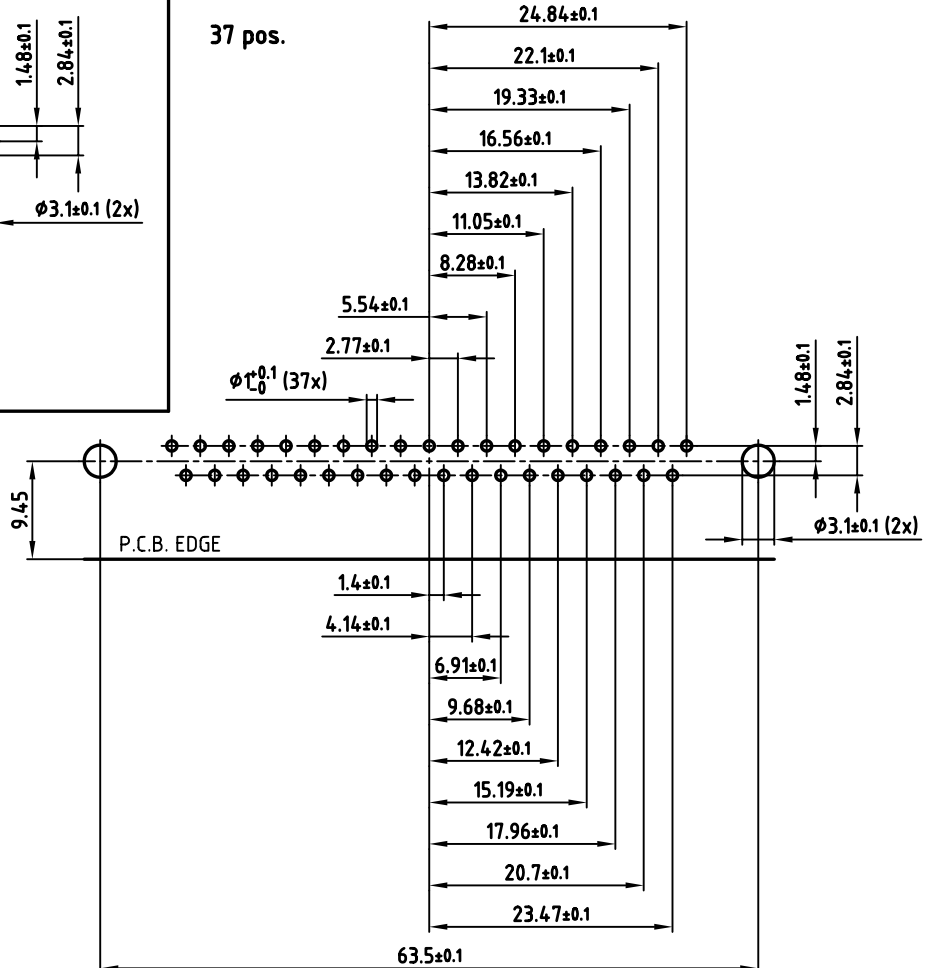


used for: D-SUB FILTER

15 pos.



37 pos.



APPROVAL # FREIGABE # DEBLOCAGE # AUTORIZACION # APPROVAL

CUSTOMER APPROVAL DATE:

NAME: TITLE:

COMPANY NAME:

APPROVAL # FREIGABE # DEBLOCAGE # AUTORIZACION # APPROVAL

THIS DRAWING MAY NOT BE COPIED OR REPRODUCED IN ANY WAY, AND MAY NOT BE PASSED ON TO A THIRD PARTY, WITHOUT WRITTEN PERMISSION. OWNERSHIP AND COPYRIGHT OF CONEC GmbH DO NOT ALTER CAD DRAWING BY HAND

rev.	description	date	name

tolerance		scale:	2:1
dim. in mm		material:	SEE SHEET 1
2004	date	name	
drawn	04.06.	Lehmenkühler	
appd.	04.06.	Kühle	
norm	DIN 41652		
d-old			
		dwg no:	AutoCAD 2004
		DIN-A	3
		sh:2/2	

title: P.C.B. HOLE DRILLINGS

D-SUB FILTER MALE 90° 9-37pos. 0.318inch threaded insert, metal bracket, fixing-plate, clip

part no: SEE SHEET 1

X-ON Electronics

Largest Supplier of Electrical and Electronic Components

Click to view similar products for [D-Sub Standard Connectors](#) category:

Click to view products by [CONEC](#) manufacturer:

Other Similar products are found below :

[56F711-015](#) [012-9507-004](#) [LV242999-142T12](#) [015-0341-000](#) [015-0349-000](#) [015-0372-005](#) [015-0372-008](#) [015-8755-001](#) [020419-0104](#) [012-0467-000](#) [012-0515-000](#) [012-9507-034](#) [012-9507-114](#) [020745-0008](#) [609-25P](#) [M24308/2-23Z](#) [M24308315F](#) [CT2-14S-2PCA34](#) [CT2-18-11PCAU](#) [CT2-36-15SC](#) [CT6-14S-2SC](#) [CT6E14SA7SC](#) [CT6E22-14PC](#) [CT6E22-14PS](#) [CT6E22-22PS](#) [M83513/01-FC](#) [M85049/48-3-2F](#) [6STD09PCM99B70X](#) [6STD09SCM99B30X](#) [6STD09SCT99S40X](#) [6STD15PCT99S40X](#) [6STD15SCM99B30X](#) [6STD15SCT99S40X](#) [6STF09PCM05B70X](#) [7-135760-9](#) [MC11E-10-6SN](#) [747552-3](#) [MD1-21PS](#) [MDM-15SCBRM7-F222](#) [MDM96517-699](#) [MDM96521-744](#) [MDVB1-21SL1](#) [MIK0-1-7SH003](#) [MIKQ6-7SH076](#) [MIKQ7-7PH077](#) [MIKQ7-7PH11](#) [MIKQ7-7PH32](#) [MIKQ9-7PH003](#) [MJSV-28SL61](#) [MKJ4A1F14-55S](#)