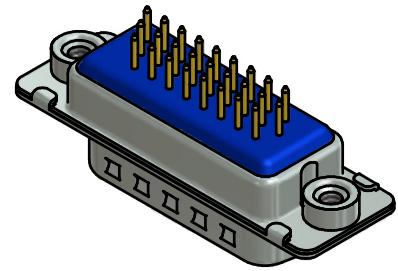
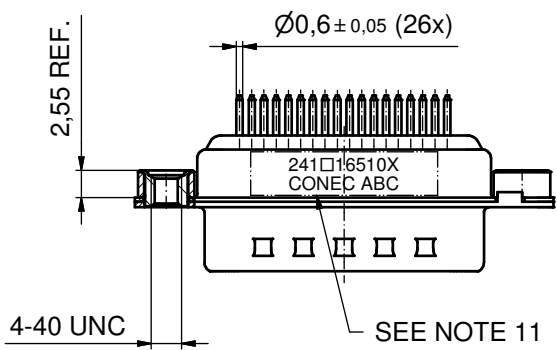
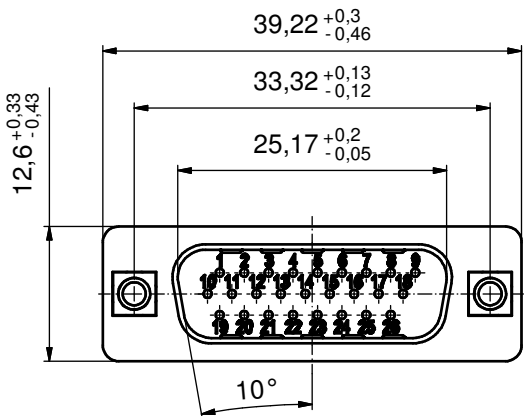
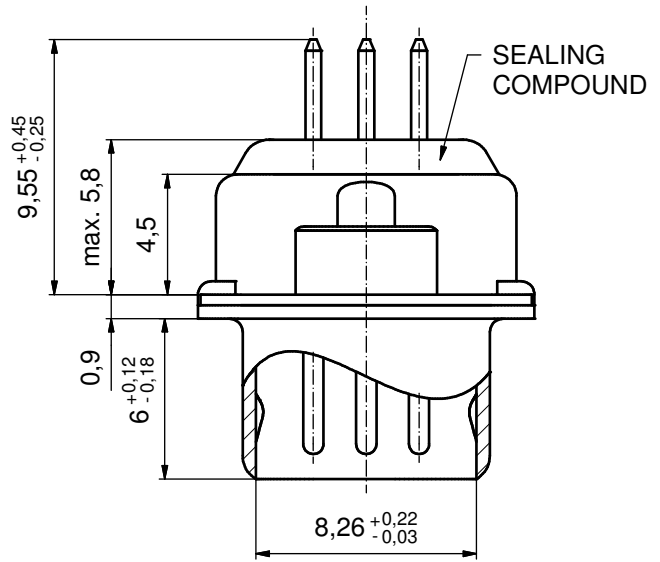


P.C.B. HOLE DRILLINGS  
(P.C.B. TOP SIDE)



(5 : 1)



NOTES:

1. RoHS COMPLIANT
2. FOR WAVESOLDERING (SOLDER BATH TEMPERATURE 260°C FOR 5 SEC. AND SOLDER PREHEAT 100°C FOR 30 SEC.)
3. METALSHELLS: STEEL; min. 315µin TIN over 40-80µin NICKEL
4. INSULATORS: HIGH TEMPERATURE PLASTIC UL 94 V-0, BLACK
5. CONTACTS: COPPER ALLOY; PLATING (SEE PART NO.):
  - PLEASE ADD A for GOLD FLASH over NICKEL (PREFERRED TYPE)
  - PLEASE ADD B for 20µin HARD GOLD over min. 50µin NICKEL
  - PLEASE ADD C for 30µin HARD GOLD over min. 50µin NICKEL
6. THREADED INSERTS: COPPER ALLOY; min. 200µin TIN over 80µin NICKEL
7. COLLARS: COPPER ALLOY; min 200µin TIN over 80µin NICKEL
8. DIELECTRIC WITHSTANDING VOLTAGE: 300 VDC
9. CAPACITANCE: 830pF ± 20%
10. MAXIMUM TORQUE VALUE FOR THREAD: 6 in. LB
11. CONNECTOR IS PART MARKED: 241□16510X CONECC ABC (see note 5)

Directive 2002/95/EC RoHS compliant

THIS DRAWING MAY NOT BE COPIED OR REPRODUCED IN ANY WAY, AND MAY NOT BE PASSED ON TO A THIRD PARTY WITHOUT WRITTEN PERMISSION. OWNERSHIP AND COPYRIGHT OF CONEC GmbH DO NOT ALTER CAD DRAWING BY HAND				tolerance		dim. in mm		scale: 2:1 (5:1)			
				date		name		material: SEE NOTES		title: <b>D-SUB HD FILTER MALE</b> 26pos. SOLDER PIN STRAIGHT with threaded spacer clip	
				drawn	04.01.06	Mickenbecker	dwg no: 24K1A738				
				appd.	04.01.06	Fischer					
norm	d-old		part no: 241□16510X (see note 5)		DIN-A3		sh: 1				
1 x b	A4800	20.06.2013	K.H.			rev. description date name		part no: 241□16510X (see note 5)			

## X-ON Electronics

Largest Supplier of Electrical and Electronic Components

*Click to view similar products for [D-Sub High Density Connectors](#) category:*

*Click to view products by [CONEC](#) manufacturer:*

Other Similar products are found below :

[97-3250-11](#) [163A17089X](#) [164A17199X](#) [164C18629X](#) [L717HDB44POL2R210](#) [L717HDEH15POL2](#) [L777HDE15P](#) [L77HDE15SC309](#)  
[163A16759X](#) [163A16839X](#) [163A16989X](#) [163A17079X](#) [164A17329X](#) [164A18219X](#) [241A16440X](#) [241A16550X](#) [241A16680X](#)  
[241A20810X](#) [241A25740X](#) [CT25-44P](#) [MDBE15PE766](#) [L177HDE15SOL2RM23](#) [L177HRC62SVFM](#) [L177HRCG62S](#)  
[L717HDEG15POL2RM5](#) [L77HDA26SVF](#) [L77HDE15SD1CO](#) [L77HDEH15SOL2RM832](#) [DAMA-15S-WS](#) [443895-3](#) [106698-1](#) [280-](#)  
[012K2C](#) [DBMV13H3SNA197](#) [L177HRB44S](#) [164A17039X](#) [09562004701510](#) [L777HRC62P](#) [241A17960X](#) [164A18269X](#) [280-019S1S9MEN](#)  
[L777HDEG15P](#) [280-018P3S25MEGN](#) [206504-2](#) [40-9415HDSP](#) [40-9515HDSP](#) [2057140-1](#) [C115370-6002](#) [DFMA104SNMBFR172FR022](#)  
[HDC9F200E2S](#) [L717HDAG26POL2RM8](#)