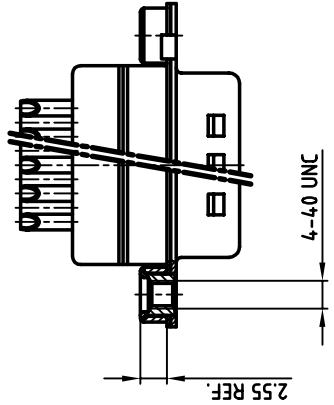
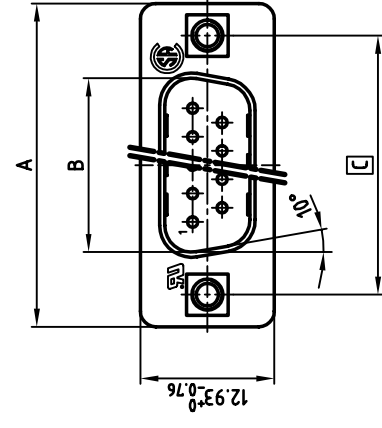
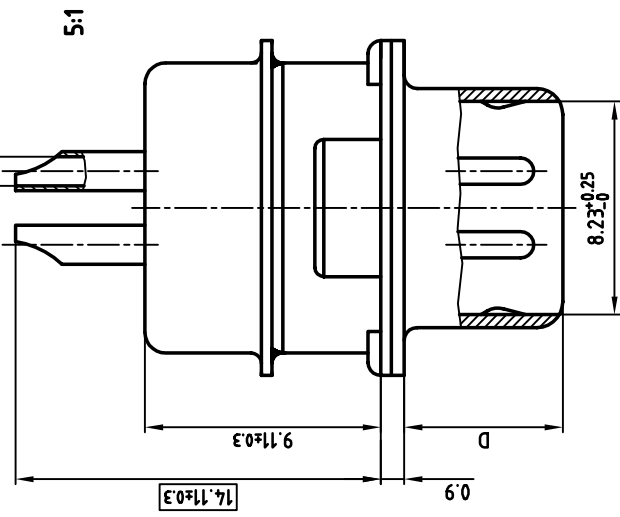


1 2 3 4 5 6 7 8

used for: D-SUB T FILTER



NOTES:

1. METALSHELLS: STEEL, min. 320µ" TIN
2. INSULATORS: PBT GF UL 94 V-0, BLACK
3. CONTACTS: COPPER ALLOY
4. PLATING: min. 8µ" HARD GOLD OVER min. 50µ" NICKEL
SOLDER CUP ACCEPTS CABLE AWG 20
5. THREADED INSERT: COPPER ALLOY; min. 200µ" TIN over 80µ" NICKEL
6. COLLAR: COPPER ALLOY; min. 200µ" TIN over 80µ" NICKEL
7. CAPACITANCE: 2 x 1300pF ±20%
8. DIELECTRIC WITHSTANDING VOLTAGE: 424 VDC
9. MAXIMUM TORQUE VALUE FOR THREAD: 6" LBS
10. = CRITICAL DIMENSION: SPC

DO NOT ALTER CAD DRAWING BY HAND
OWNERSHIP AND COPYRIGHT OF CONEC GMBH
WRITTEN PERMISSION
BE PASSED ON TO A THIRD PARTY WITHOUT
REPRODUCED IN ANY WAY, AND MAY NOT

CONEC CORPORATION BRAMPTON, ONTARIO		tolerance		scale:	2:1 (5:1)	
		material:		SEE NOTES		
2001	date	name	title:	D-SUB T FILTER MALE SOLDER CUP 9-37pos. with threaded insert AutoCAD 2000 24K1A103A DIN-A 3 sh: 1/1		
drawn	29.03.	Pareil				
appd.	29.03.	E. Mickenbecker				
norm		DIN 41522				
		dwg no:				
		rev. description	date	name	part no:	
		CONEC			SEE TABLE	

No. of pos.	A -0.76	B +0.25	C	D -0.3	Part No.
9	31.19	16.79	25.00 ^{+0.12} _{-0.13}	6.12	241A29360X
15	39.52	25.12	33.30 ^{+0.15} _{-0.1}	6.12	241A29370X
25	53.42	38.84	47.04 ^{+0.13}	5.99	241A29380X
37	69.70	55.30	63.50 ^{+0.13}	5.99	241A29390X

1 2 3 4 5 6 7 8

X-ON Electronics

Largest Supplier of Electrical and Electronic Components

Click to view similar products for [D-Sub Standard Connectors](#) category:

Click to view products by [CONEC](#) manufacturer:

Other Similar products are found below :

[56F711-015](#) [012-9507-004](#) [LV242999-142T12](#) [015-0341-000](#) [015-0349-000](#) [015-0372-005](#) [015-0372-008](#) [015-8755-001](#) [020419-0104](#) [012-0467-000](#) [012-0515-000](#) [012-9507-034](#) [012-9507-114](#) [020745-0008](#) [609-25P](#) [M24308/2-23Z](#) [CT2-14S-2PCA34](#) [CT2-18-11PCAU](#) [CT2-36-15SC](#) [CT6-14S-2SC](#) [CT6E14SA7SC](#) [CT6E22-14PC](#) [CT6E22-14PS](#) [CT6E22-22PS](#) [M83513/01-FC](#) [M85049/48-3-2F](#) [6STD09PCM99B70X](#) [6STD09SCM99B30X](#) [6STD09SCT99S40X](#) [6STD15PCT99S40X](#) [6STD15SCM99B30X](#) [6STD15SCT99S40X](#) [6STF09PCM05B70X](#) [7-135760-9](#) [MC11E-10-6SN](#) [747552-3](#) [MD1-21PS](#) [MDM-15SCBRM7-F222](#) [MDM96517-699](#) [MDM96521-744](#) [MDVB1-21SL1](#) [MIK0-1-7SH003](#) [MIKQ6-7SH076](#) [MIKQ7-7PH077](#) [MIKQ7-7PH11](#) [MIKQ7-7PH32](#) [MIKQ9-7PH003](#) [MJSV-28SL61](#) [MKJ4A1F14-55S](#) [8-135760-3](#)