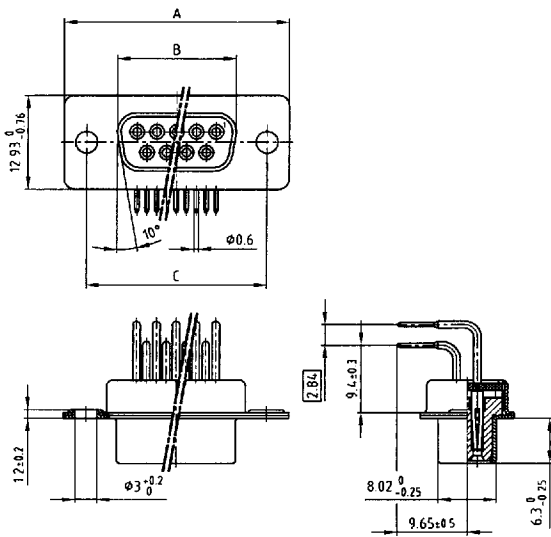


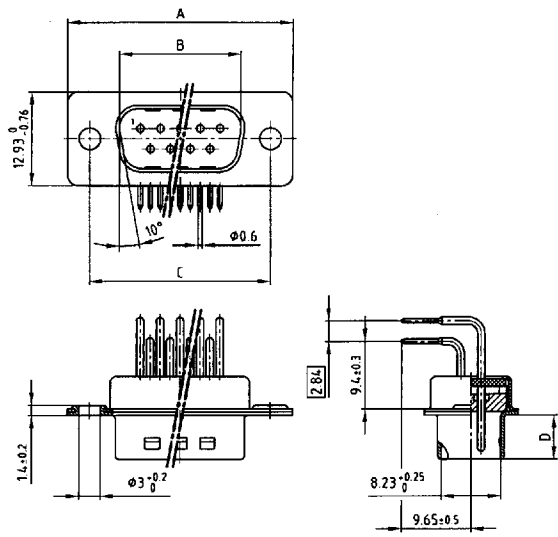
•.370 inch

Solder pin angled

Socket connector



Plug connector



Kat 1 i B9A

No. of pos.	A - 0,76	B - 0,25	C
9	31,19	16,46	25,00 ^{+0,12} / _{0,13}
15	39,52	24,79	33,30 ^{+0,15} / _{0,16}
25	53,42	38,50	47,04 ^{+0,13} / _{0,14}
37	69,70	54,96	63,50 ^{+0,13} / _{0,14}

Kat 1 i C0A

No. of pos.	A - 0,76	B + 0,25	C	D - 0,30
9	31,19	16,79	25,00 ^{+0,12} / _{0,13}	6,12
15	39,52	25,12	33,30 ^{+0,15} / _{0,16}	6,12
25	53,42	38,84	47,04 ^{+0,13} / _{0,14}	5,99
37	69,70	55,30	63,50 ^{+0,13} / _{0,14}	5,99

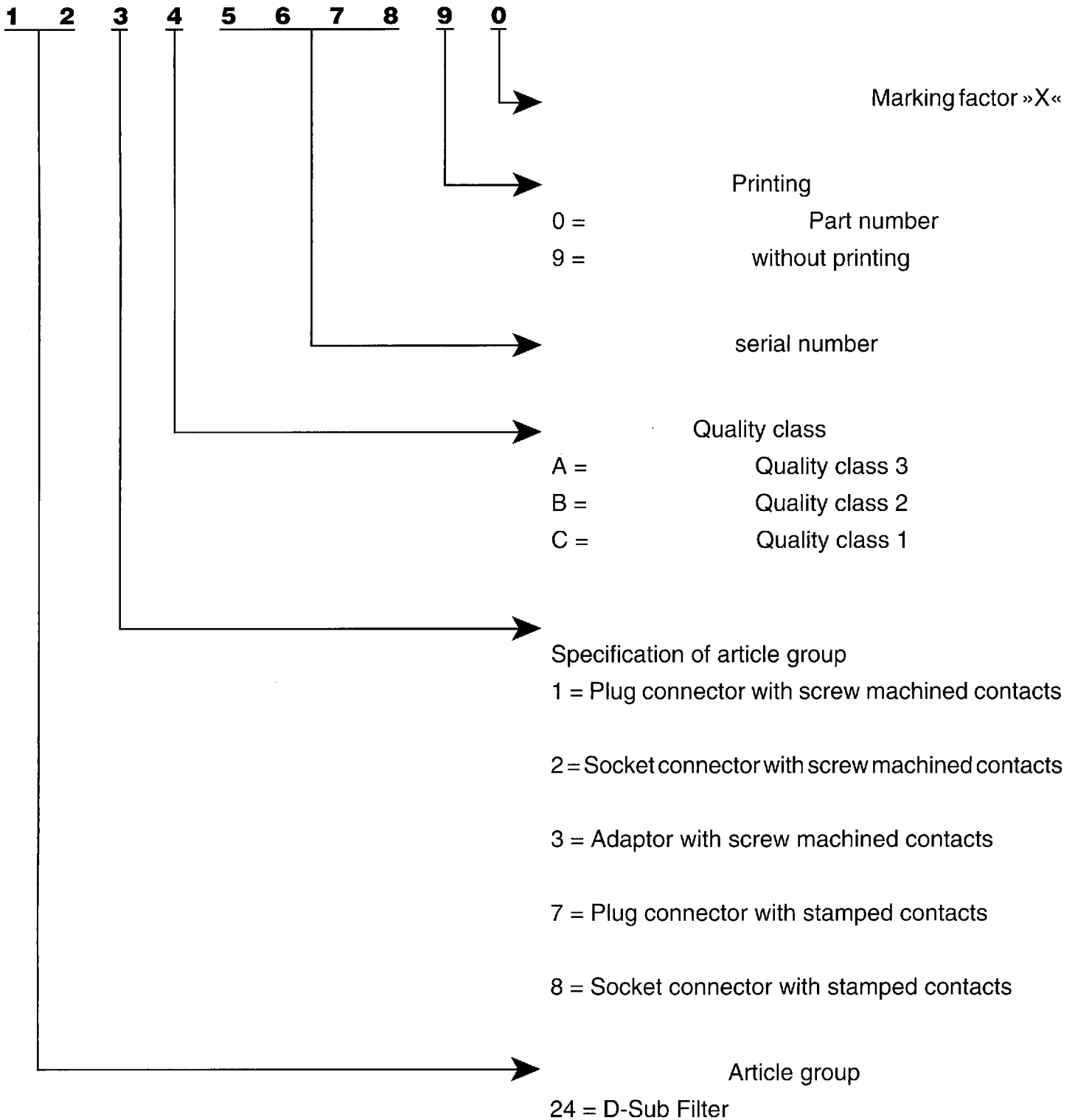
Part numbers

No. of Pos.	Socket connector – Solder pin angled			
	Typ 1	Typ 3	Typ 4	Typ 5
9	242 A 16660 X	242 A 10850 X	242 A 10930 X	242 A 10890 X
15	242 A 16670 X	242 A 10860 X	242 A 10940 X	242 A 10900 X
25	242 A 16680 X	242 A 10870 X	242 A 10950 X	242 A 10910 X
37	242 A 16690 X	242 A 10880 X	242 A 10960 X	242 A 10920 X

No. of Pos.	Plug connector – Solder pin angled			
	Typ 1	Typ 3	Typ 4	Typ 5
9	241 A 19280 X	241 A 10850 X	241 A 10930 X	241 A 10890 X
15	241 A 19290 X	241 A 10860 X	241 A 10940 X	241 A 10900 X
25	241 A 19300 X	241 A 10870 X	241 A 10950 X	241 A 10910 X
37	241 A 19310 X	241 A 10880 X	241 A 10960 X	241 A 10920 X

Filter connectors

Part number

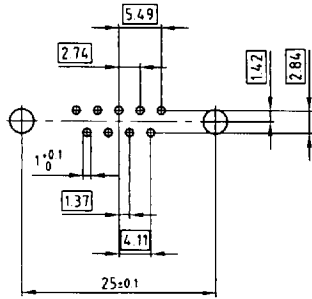


Order example

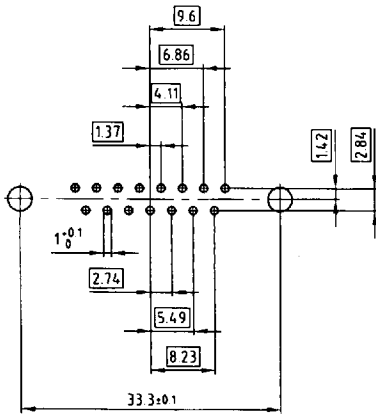
Plug connector solder pin angled 25 pos.		
Quality class	with screw machine contacts	with stamped contacts
3	241 A 12900 X	247 A 12900 X
2	241 B 12900 X	247 B 12900 X
1	241 C 12900 X	247 C 12900 X

Hole pattern for straight and angled solder pins D-Sub filter

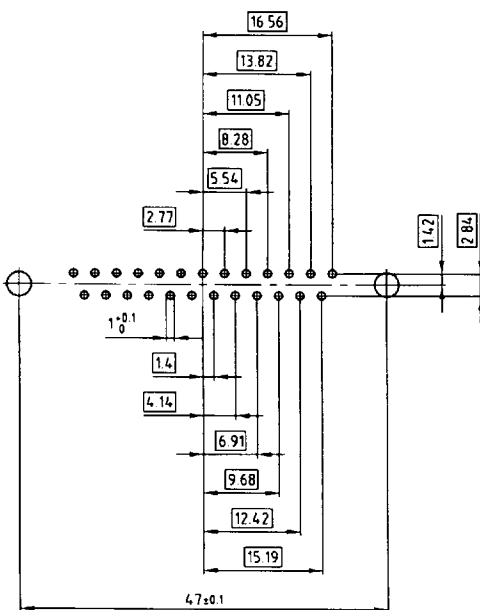
9 pos



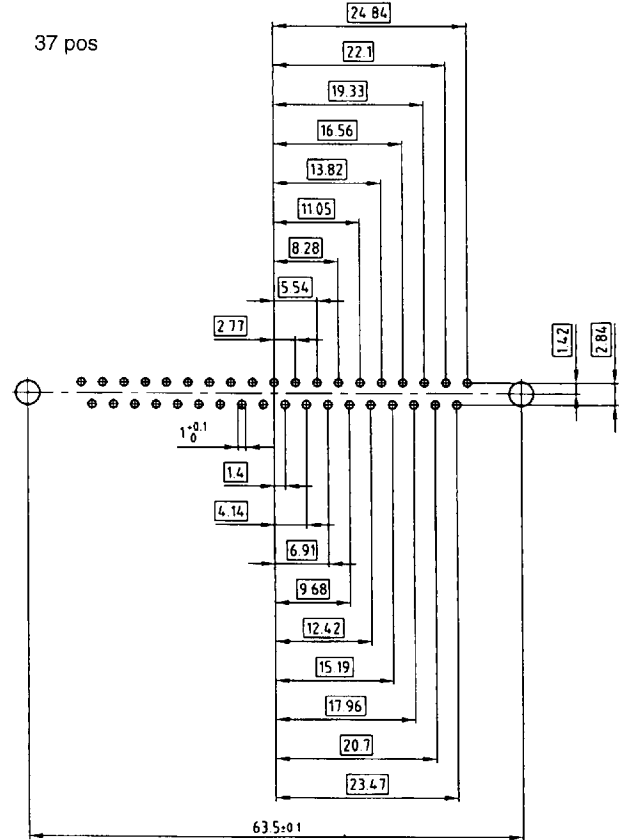
15 pos



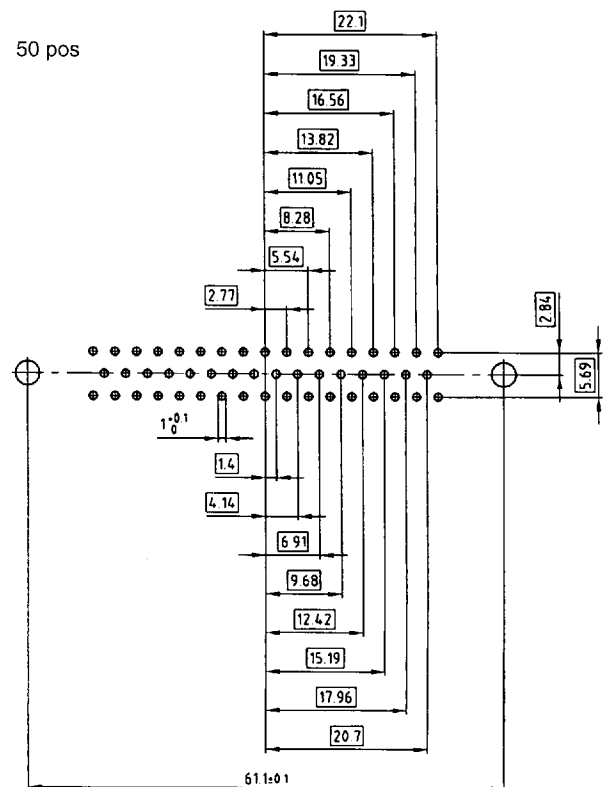
25 pos



37 pos



50 pos



Technical Data	D-Sub Standard 9,15,25,37,50 pos.	D-Sub High Density 15,26,44,62 pos.
Insulators	Polyester GF UL 94 V-0	PA 6.6 GF 25 UL 94 V-0
Contacts	Copper alloy	
Contact finish	hard-gold-plated over nickel, solder area tin plated	
Shell	steel tin plated over nickel	
Working voltage	100 V _{DC} Insulation Gr. A according to VDE 0100 *	60 V _{DC} Insulation Gr. A according to VDE 0100 *
Dielectric stand. voltage	424 V _{DC} standard 707 V _{DC} „high voltage“	424 V _{DC}
Contact resistance	max. 10mΩ with no load Δ R max. 10 mΩ with load according to din 41652 part. 2	
Insulation resistance	depending on quality class 1 ≥ 10 ¹² Ω 2 ≥ 10 ¹¹ Ω 3 ≥ 10 ⁸ Ω	
Current rating	straight version: 5,0 A (20° C) angled version: 2,5 A (20° C)	straight version: 3,0 A (20° C) angled version: 2,5 A (20° C)
Voltage surge 10/750 μs	300 V standard 500 V „high voltage“	300 V standard
Mating- / unmating forces	9-pol. ≤ 30/29 N 15-pol. ≤ 50/33 N 25-pol. ≤ 83/56 N 37-pol. ≤ 123/82 N 50-pol. ≤ 167/111 N	15-pol. ≤ 50/33 N 26-pol. ≤ 83/56 N 44-pol. ≤ 110/74 N
Temperature range storage	- 55° C /to + 125° C	
Temperature range working	- 25° C /to + 105° C	- 25° C /to + 85° C
Humidity	40° C / 85% relative	
Capacitor values	/type 1 min. 144 pF max. 216 pF /type 2 min. 240 pF max. 360 pF /type 3 min. 296 pF max. 444 pF /type 4 min. 664 pF max. 996 pF /type 5 min. 1040 pF max. 1560 pF	/type 3 min. 296 pF max. 444 pF /type 4 min. 664 pF max. 996 pF
Quality class	/Quality class 3 = 50 mating cycles /Quality class 2 = 200 mating cycles /Quality class 1 = 500 mating cycles	

X-ON Electronics

Largest Supplier of Electrical and Electronic Components

Click to view similar products for [D-Sub Standard Connectors](#) category:

Click to view products by [CONEC](#) manufacturer:

Other Similar products are found below :

[56F711-015](#) [012-9507-004](#) [LV242999-142T12](#) [015-0341-000](#) [015-0349-000](#) [015-0372-005](#) [015-0372-008](#) [015-8755-001](#) [020419-0104](#) [012-0467-000](#) [012-0515-000](#) [012-9507-034](#) [012-9507-114](#) [020745-0008](#) [609-25P](#) [CT2-14S-2PCA34](#) [CT2-18-11PCAU](#) [CT2-36-15SC](#) [CT6-14S-2SC](#) [CT6E14SA7SC](#) [CT6E22-14PC](#) [CT6E22-14PS](#) [CT6E22-22PS](#) [M83513/01-FC](#) [M85049/48-3-2F](#) [6STD09PCM99B70X](#) [6STD09SCM99B30X](#) [6STD09SCT99S40X](#) [6STD15PCT99S40X](#) [6STD15SCM99B30X](#) [6STD15SCT99S40X](#) [6STF09PCM05B70X](#) [7-135760-9](#) [MC11E-10-6SN](#) [747552-3](#) [MD1-21PS](#) [MDM-15SCBRM7-F222](#) [MDM96517-699](#) [MDM96521-744](#) [MDVB1-21SL1](#) [MIK0-1-7SH003](#) [MIKQ6-7SH076](#) [MIKQ7-7PH077](#) [MIKQ7-7PH11](#) [MIKQ7-7PH32](#) [MIKQ9-7PH003](#) [MJSV-28SL61](#) [MKJ4A1F14-55S](#) [8-135760-3](#) [8STD09PCM99B30X](#)