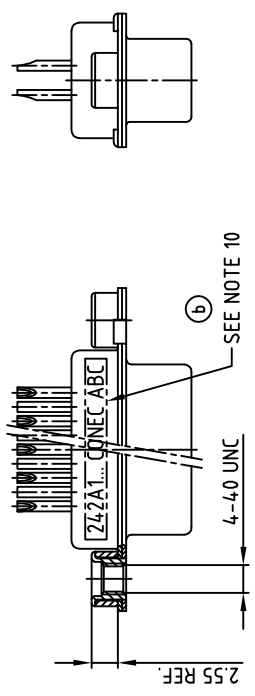
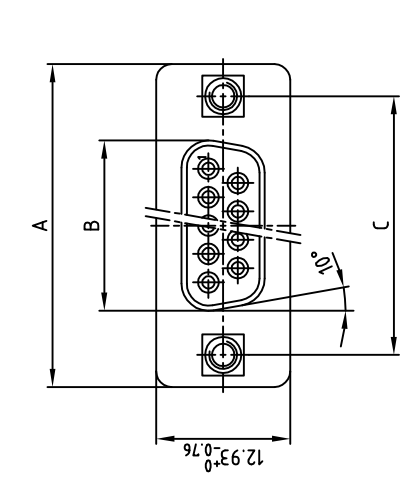
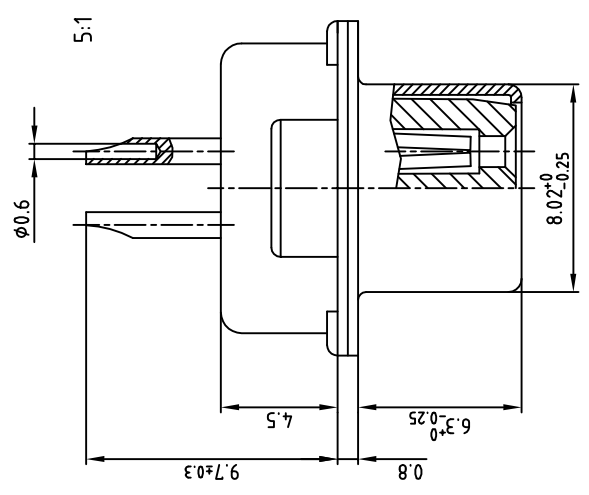


used for: D-SUB Filter



**NOTES:**

1. METALSHELLS: STEEL; min. 315µin TIN over 4.0-80µin NICKEL
2. INSULATORS: PBT GF UL 94 V-0, BLACK
3. CONTACTS: COPPER ALLOY
4. PLATING: min. 8µin HARD GOLD over min. 50µin NICKEL
5. SOLDER CUP ACCEPTS CABLE AWG 26
6. THREADED INSERT: COPPER ALLOY; min. 200µin TIN over 80µin NICKEL
7. COLLAR: COPPER ALLOY; min. 200µin TIN over 80µin NICKEL
8. CAPACITANCE: SEE TABLE
9. MAXIMUM TORQUE VALUE FOR THREAD: 6in.LB
10. CONNECTOR IS PART MARKED: [PART-NO., CONEC ABC]



tolerance		scale: 2:1	
material:		material: SEE NOTES	
title:		D-SUB FILTER FEMALE	
dwg no:		AutocAD 2000	
part no:		24K1A167A	
sh: 1/1			
2001	date	name	
drawn	25.09.	Parrel	
appd.	25.09.	E. Mickenbecker	
norm		DIN 41652	
e-sold			
2 x b	A3284	10.02.2009	Sonne
a	Origin		
rev.	description	date	name

THIS DRAWING MAY NOT BE COPIED OR REPRODUCED IN ANY WAY, AND MAY NOT BE PASSED ON TO A THIRD PARTY WITHOUT WRITTEN PERMISSION. OWNERSHIP AND COPYRIGHT OF CONEC GMBH DO NOT ALTER CAD DRAWING BY HAND

No. of pos.	A -0.76	B -0.25	C
9	31.19	16.46	25.00 +0.12 -0.13
15	39.52	24.79	33.30 +0.15 -0.17
25	53.42	38.50	47.04 +0.13 -0.15
37	69.70	54.96	63.50 +0.13 -0.15

Capacitance	9	15	25	37
180pF ±20%	242A15960X	242A15970X	242A15980X	242A15990X
370pF ±20%	242A11730X	242A11740X	242A11750X	242A11760X
830pF ±20%	242A11810X	242A11820X	242A11830X	242A11840X
1300pF ±20%	242A11770X	242A11780X	242A11790X	242A11800X



part no: SEE TABLE

## X-ON Electronics

Largest Supplier of Electrical and Electronic Components

*Click to view similar products for [D-Sub Standard Connectors](#) category:*

*Click to view products by [CONEC](#) manufacturer:*

Other Similar products are found below :

[56F711-015](#) [012-9507-004](#) [LV242999-142T12](#) [015-0341-000](#) [015-0349-000](#) [015-0372-005](#) [015-0372-008](#) [015-8755-001](#) [020419-0104](#) [012-0467-000](#) [012-0515-000](#) [012-9507-034](#) [012-9507-114](#) [020745-0008](#) [609-25P](#) [CT2-14S-2PCA34](#) [CT2-18-11PCAU](#) [CT2-36-15SC](#) [CT6-14S-2SC](#) [CT6E14SA7SC](#) [CT6E22-14PC](#) [CT6E22-14PS](#) [CT6E22-22PS](#) [M83513/01-FC](#) [M85049/48-3-2F](#) [6STD09PCM99B70X](#) [6STD09SCM99B30X](#) [6STD09SCT99S40X](#) [6STD15PCT99S40X](#) [6STD15SCM99B30X](#) [6STD15SCT99S40X](#) [6STF09PCM05B70X](#) [7-135760-9](#) [MC11E-10-6SN](#) [747552-3](#) [MD1-21PS](#) [MDM-15SCBRM7-F222](#) [MDM96517-699](#) [MDM96521-744](#) [MDVB1-21SL1](#) [MIK0-1-7SH003](#) [MIKQ6-7SH076](#) [MIKQ7-7PH077](#) [MIKQ7-7PH11](#) [MIKQ7-7PH32](#) [MIKQ9-7PH003](#) [MJSV-28SL61](#) [MKJ4A1F14-55S](#) [8-135760-3](#) [8STD09PCM99B30X](#)