

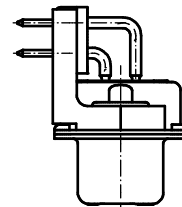
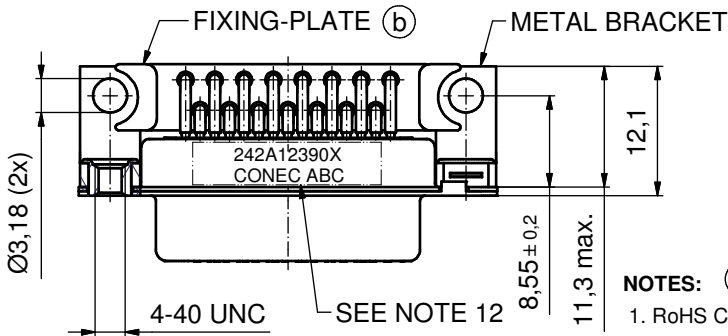
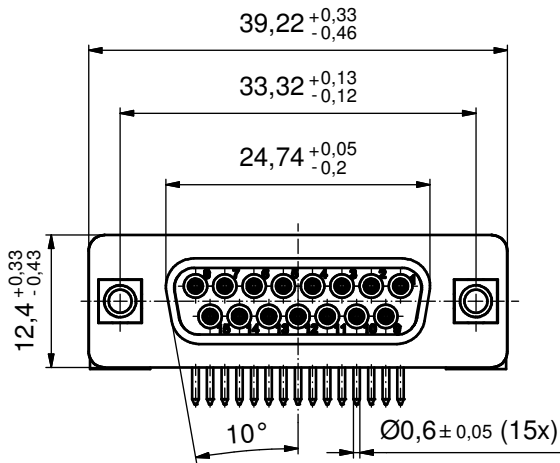
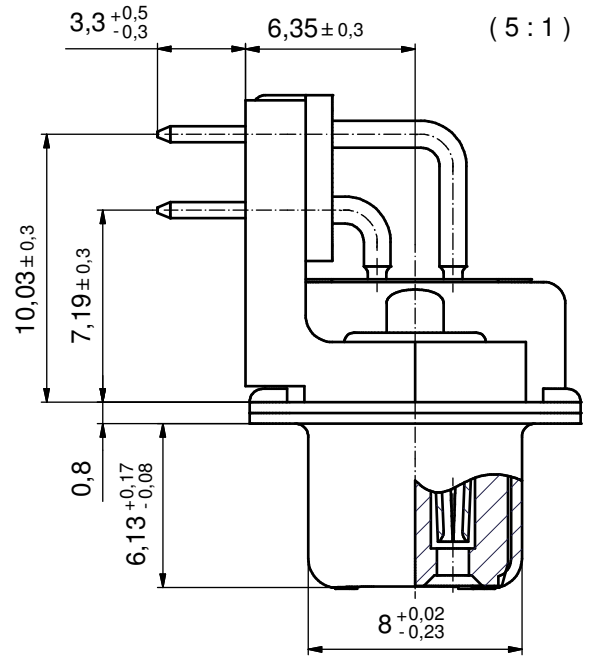
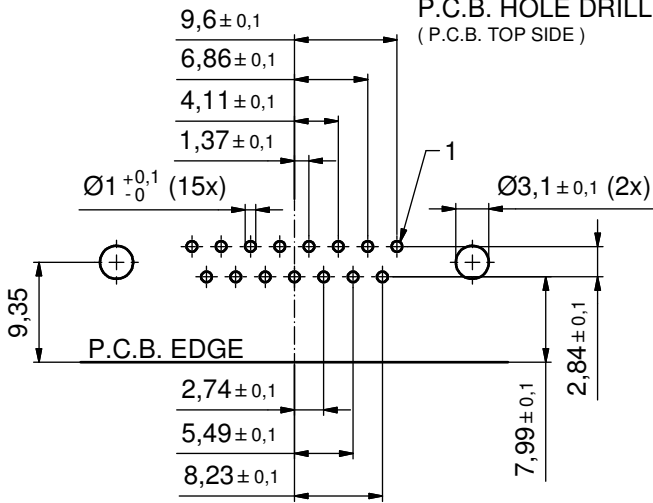
**NOTES:** (b)

1. RoHS COMPLIANT
2. FOR WAVESOLDERING ( SOLDER BATH TEMPERATURE 260°C FOR 5 SEC. AND SOLDER PREHEAT 100°C FOR 30 SEC.)
3. METALSHELLS: STEEL; min. 315µm TIN over 40-80µm NICKEL
4. INSULATOR: HIGH TEMPERATURE PLASTIC UL 94 V-0; BLACK
5. CONTACTS: COPPER ALLOY  
PLATING: GOLD FLASH over NICKEL
6. METAL BRACKETS: STEEL; min. 320µm TIN over 80µm NICKEL
7. THREADED INSERTS: COPPER ALLOY; min. 200µm TIN over 80µm NICKEL
8. FIXING PLATE: HIGH TEMPERATURE PLASTIC UL 94 V-0; BLACK
9. CAPACITANCE: 1300pF ± 20%
10. DIELECTRIC WITHSTANDING VOLTAGE: 424 VDC
11. MAXIMUM TORQUE VALUE FOR THREAD: 6 in.LB
12. CONNECTOR IS PART MARKED: 242A12380X CONEC ABC

Directive 2002/95/EC RoHS compliant

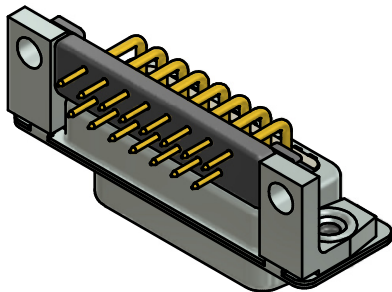
THIS DRAWING MAY NOT BE COPIED OR REPRODUCED IN ANY WAY, AND MAY NOT BE PASSED ON TO A THIRD PARTY WITHOUT WRITTEN PERMISSION. OWNERSHIP AND COPYRIGHT OF CONEC GmbH DO NOT ALTER CAD DRAWING BY HAND	tolerance		dim. in mm		scale: 2:1 (5:1)	
					material: SEE NOTES	
			date	name		title: <b>D-SUB FILTER FEMALE 90°</b> 9pos. SOLDER PIN ANGLED 0.318inch with threaded insert and metal bracket
			drawn	Parei		
			appd.	Mickenbecker		
		norm		DIN 41652	dwg no:	
		d-old			DIN-A3	
3 x b	A3838	14.12.10	K.H.			24K1A154A (b)
a	Origin					sh: 1/6
rev.	description	date	name	part no: 242A12380X		

**P.C.B. HOLE DRILLINGS**  
(P.C.B. TOP SIDE)



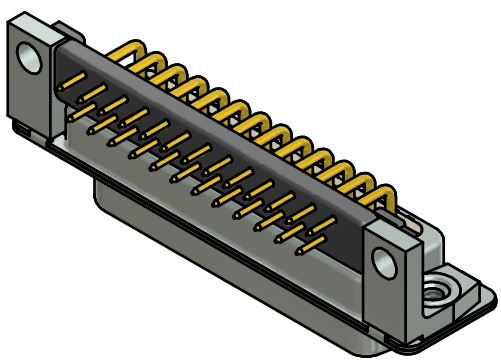
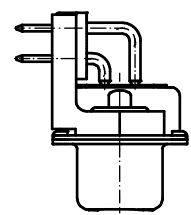
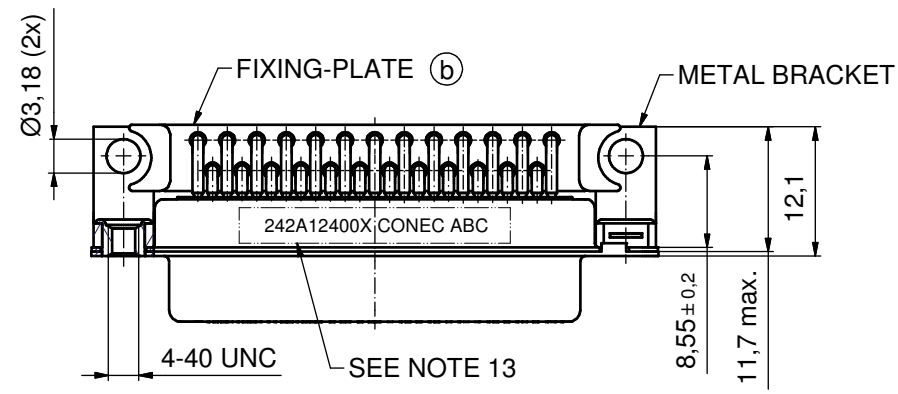
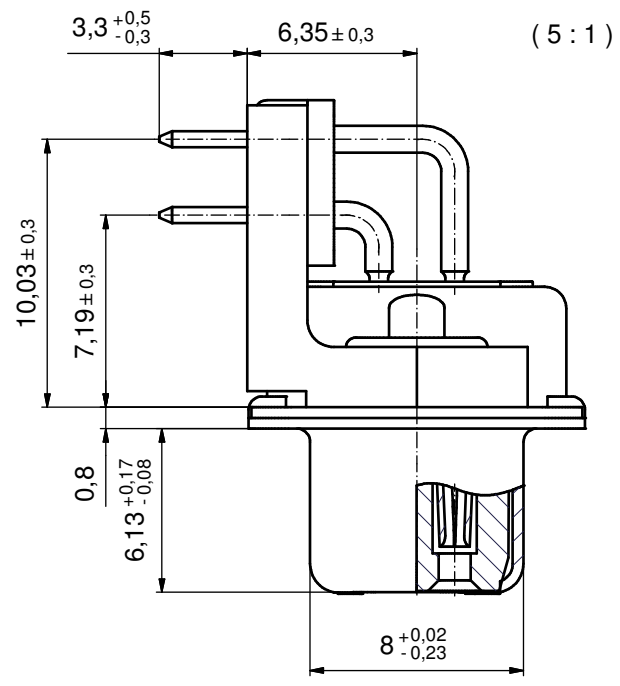
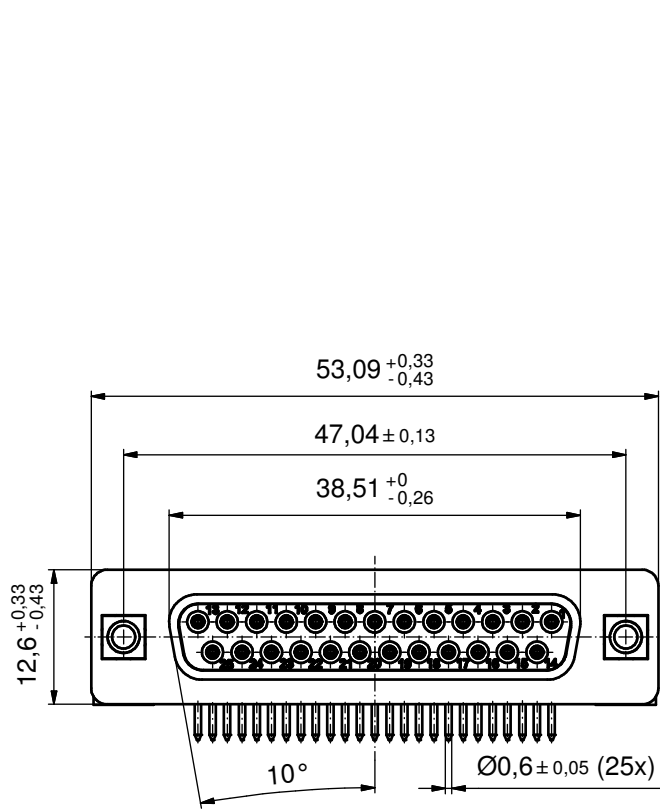
**NOTES:** (b)

1. RoHS COMPLIANT
2. FOR WAVESOLDERING ( SOLDER BATH TEMPERATURE 260°C FOR 5 SEC. AND SOLDER PREHEAT 100°C FOR 30 SEC.)
3. METALSHHELLS: STEEL; min. 315µm TIN over 40-80µm NICKEL
4. INSULATOR: HIGH TEMPERATURE PLASTIC UL 94 V-0; BLACK
5. CONTACTS: COPPER ALLOY  
PLATING: GOLD FLASH over NICKEL
6. METAL BRACKETS: STEEL; min. 320µm TIN over 80µm NICKEL
7. THREADED INSERTS: COPPER ALLOY; min. 200µm TIN over 80µm NICKEL
8. FIXING PLATE: HIGH TEMPERATURE PLASTIC UL 94 V-0; BLACK
9. CAPACITANCE: 1300pF ±20%
10. DIELECTRIC WITHSTANDING VOLTAGE: 424 VDC
11. MAXIMUM TORQUE VALUE FOR THREAD: 6 in.LB
12. CONNECTOR IS PART MARKED: 242A12390X CONEC ABC



Directive 2002/95/EC RoHS compliant

THIS DRAWING MAY NOT BE COPIED OR REPRODUCED IN ANY WAY, AND MAY NOT BE PASSED ON TO A THIRD PARTY WITHOUT WRITTEN PERMISSION. OWNERSHIP AND COPYRIGHT OF CONEC GmbH DO NOT ALTER CAD DRAWING BY HAND	tolerance		dim. in mm		scale:	2:1 (5:1)	
					material:	SEE NOTES	
					title:		D-SUB FILTER FEMALE 90° 15pos. SOLDER PIN ANGLED 0.318inch with threaded insert and metal bracket
					dwg no:		
3 x b	Ä38138	14.12.10	K.H.			24K1A154A	(b) sh: 2/6
a	Origin					part no:	242A12390X
rev.	description	date	name				



**NOTES:** (b)

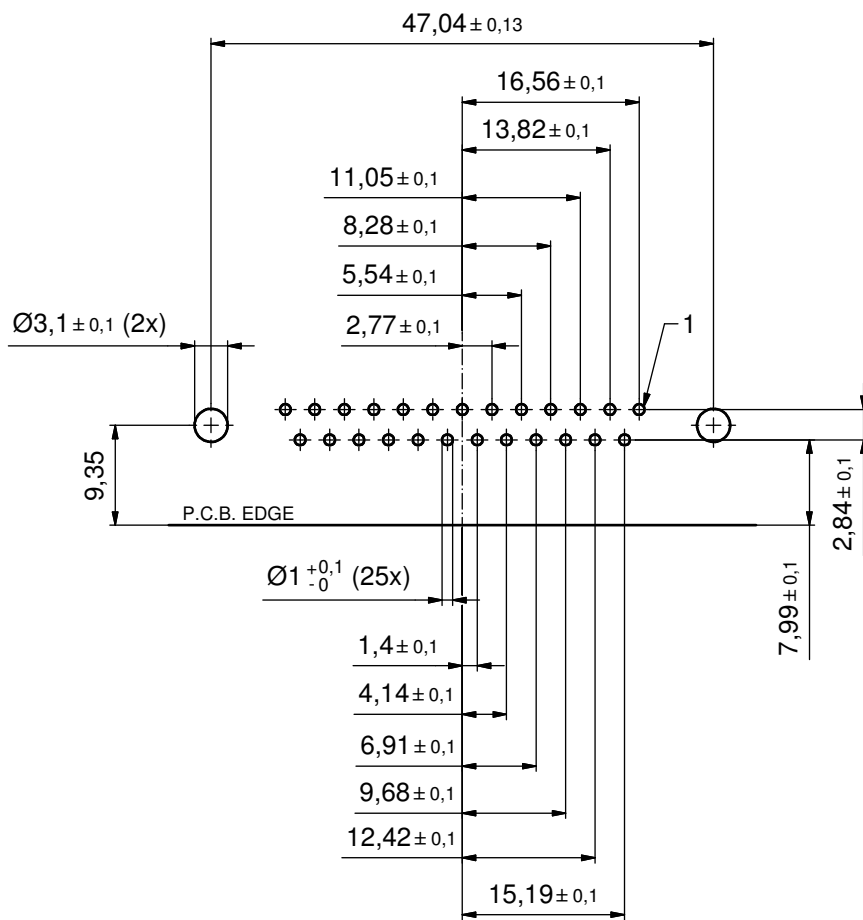
1. RoHS COMPLIANT
2. FOR WAVESOLDERING ( SOLDER BATH TEMPERATURE 260°C FOR 5 SEC. AND SOLDER PREHEAT 100°C FOR 30 SEC.)
3. METALSHHELLS: STEEL; min. 315µin TIN over 40-80µin NICKEL
4. INSULATOR: HIGH TEMPERATURE PLASTIC UL 94 V-0; BLACK
5. CONTACTS: COPPER ALLOY  
PLATING: GOLD FLASH over NICKEL
6. METAL BRACKETS: STEEL; min. 320µin TIN over 80µin NICKEL
7. THREADED INSERTS: COPPER ALLOY; min. 200µin TIN over 80µin NICKEL
8. FIXING PLATE: HIGH TEMPERATURE PLASTIC UL 94 V-0; BLACK
9. CAPACITANCE: 1300pF ± 20%
10. DIELECTRIC WITHSTANDING VOLTAGE: 424 VDC
11. P.C.B. HOLE DRILLINGS ON SHEET 4
12. MAXIMUM TORQUE VALUE FOR THREAD: 6 in.LB
13. CONNECTOR IS PART MARKED: 242A12400X CONEC ABC

Directive 2002/95/EC RoHS compliant

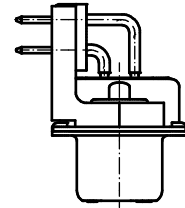
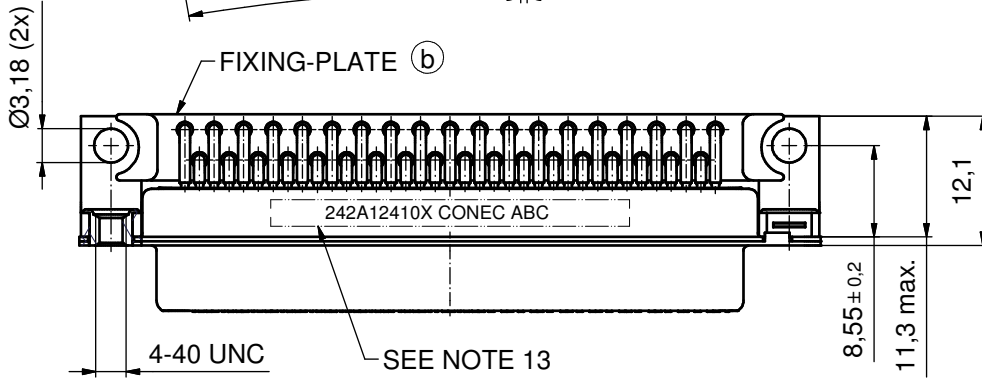
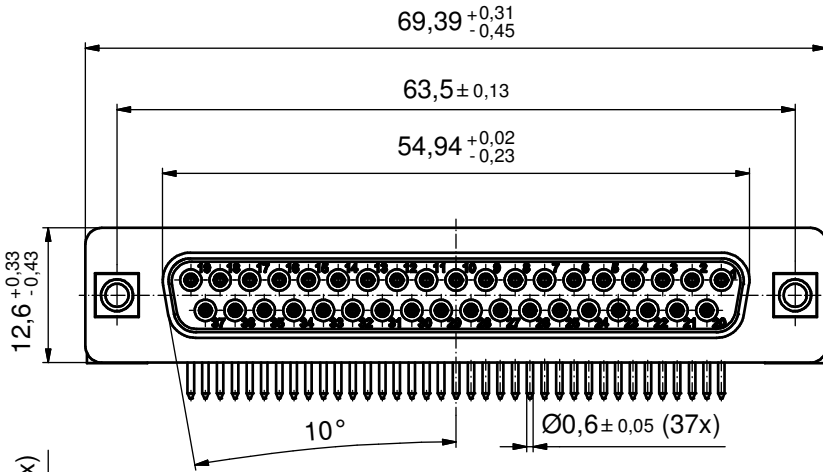
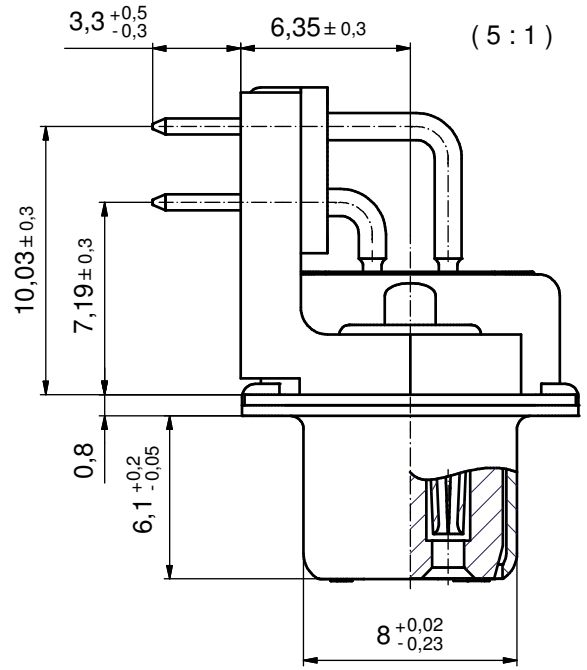
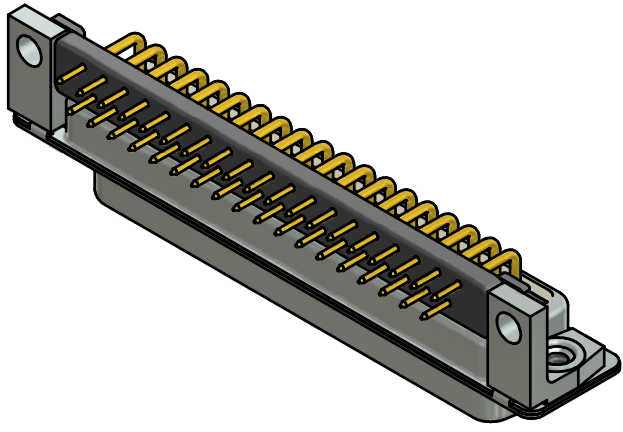
THIS DRAWING MAY NOT BE COPIED OR REPRODUCED IN ANY WAY, AND MAY NOT BE PASSED ON TO A THIRD PARTY WITHOUT WRITTEN PERMISSION. OWNERSHIP AND COPYRIGHT OF CONEC GmbH DO NOT ALTER CAD DRAWING BY HAND	tolerance		dim. in mm		scale:	2:1 (5:1)
					material:	SEE NOTES
	date	name		title:		
	drawn	01.08.01	Parei		D-SUB FILTER FEMALE 90°	
appd.	01.08.01	Mickenbecker		25pos. SOLDER PIN ANGLED 0.318inch		
norm	DIN 41652		with threaded insert and metal bracket			
d-old					dwg no:	DIN-A3
3 x b	A3838	14.12.10	K.H.	24K1A154A		(b) sh: 3/6
a	Origin			part no:		242A12400X
rev.	description	date	name	CONEC®		

# P.C.B. HOLE DRILLINGS

( P.C.B. TOP SIDE )



THIS DRAWING MAY NOT BE COPIED OR REPRODUCED IN ANY WAY, AND MAY NOT BE PASSED ON TO A THIRD PARTY WITHOUT WRITTEN PERMISSION. OWNERSHIP AND COPYRIGHT OF CONEC GmbH DO NOT ALTER CAD DRAWING BY HAND					tolerance		scale: 2:1
					date	name	material: SEE SHEET3
					drawn	01.08.10	Perei
					appd.	01.08.10	Mickenbecker
					norm		
					d-old		
	a	Origin		<b>CONEC</b> <sup>®</sup>		title:	<b>P.C.B. HOLE DRILLINGS</b> D-SUB Filter Female 25pos. 0.318inch with threaded insert and metal bracket
rev.	description	date	name			dwg no:	
						part no:	SEE SHEET3
							sh: 4/6



**NOTES:** (b)

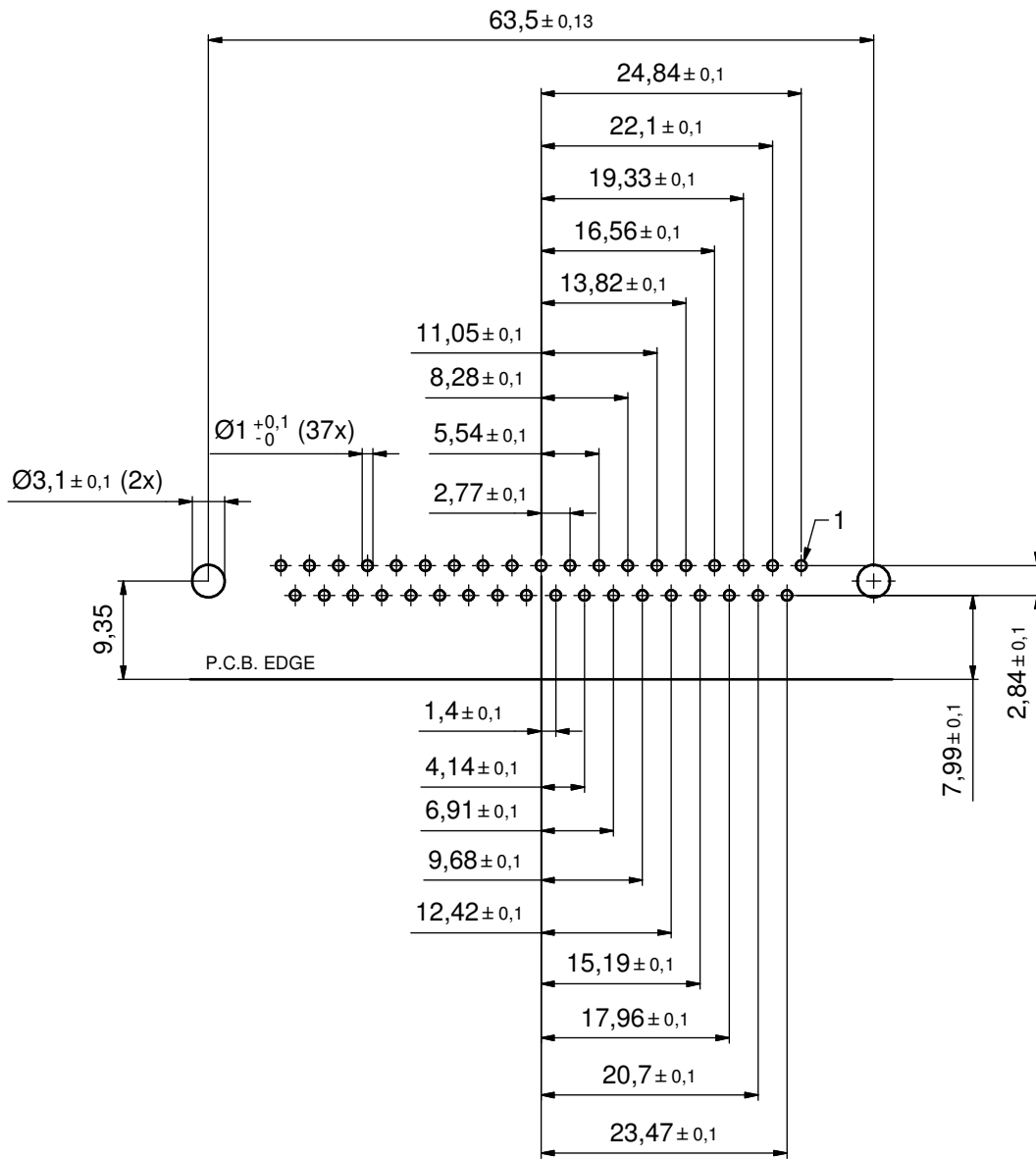
1. RoHS COMPLIANT
2. FOR WAVESOLDERING ( SOLDER BATH TEMPERATURE 260°C FOR 5 SEC. AND SOLDER PREHEAT 100°C FOR 30 SEC.)
3. METALSHELLS: STEEL; min. 315µin TIN over 40-80µin NICKEL
4. INSULATOR: HIGH TEMPERATURE PLASTIC UL 94 V-0; BLACK
5. CONTACTS: COPPER ALLOY  
PLATING: GOLD FLASH over NICKEL
6. METAL BRACKETS: STEEL; min. 320µin TIN over 80µin NICKEL
7. THREADED INSERTS: COPPER ALLOY; min. 200µin TIN over 80µin NICKEL
8. FIXING PLATE: HIGH TEMPERATURE PLASTIC UL 94 V-0; BLACK
9. CAPACITANCE: 1300pF ± 20%
10. DIELECTRIC WITHSTANDING VOLTAGE: 424 VDC
11. P.C.B. HOLE DRILLINGS ON SHEET 6
12. MAXIMUM TORQUE VALUE FOR THREAD: 6 in.LB
13. CONNECTOR IS PART MARKED: 242A12410X CONEC ABC

Directive 2002/95/EC RoHS compliant.

THIS DRAWING MAY NOT BE COPIED OR REPRODUCED IN ANY WAY, AND MAY NOT BE PASSED ON TO A THIRD PARTY WITHOUT WRITTEN PERMISSION. OWNERSHIP AND COPYRIGHT OF CONEC GmbH DO NOT ALTER CAD DRAWING BY HAND					tolerance	dim. in mm	scale: 2:1 (5:1)	
					date		name	material: SEE NOTES
					drawn	28.09.01	Parei	title: <b>D-SUB FILTER FEMALE 90°</b> 37pos. SOLDER PIN ANGLED 0.318inch with threaded insert and metal bracket
					appd.	28.09.01	Mickenbecker	
				norm				
				d-old			dwg no:	
3 x b	A3838	15.12.10	K.H.				DIN-A3	
a	Origin						part no: 242A12410X	(b) sh: 5/6
rev.	description	date	name					

# P.C.B. HOLE DRILLINGS

( P.C.B. TOP SIDE )



Directive 2002/95/EC RoHS compliant

THIS DRAWING MAY NOT BE COPIED OR REPRODUCED IN ANY WAY, AND MAY NOT BE PASSED ON TO A THIRD PARTY WITHOUT WRITTEN PERMISSION. OWNERSHIP AND COPYRIGHT OF CONEC GmbH DO NOT ALTER CAD DRAWING BY HAND				tolerance	 dim. in mm	scale: 2:1
				date	name	title: <b>P.C.B. HOLE DRILLINGS</b> D-SUB Filter Female 37pos. 0.318inch with threaded insert and metal bracket
				drawn 28.09.01	Perei	
				appd. 28.09.10	Mickenbecker	
			norm		dwg no:	
			d-old			
	a	Origin				DIN-A3
	rev.	description	date	name	<b>CONEC</b> <sup>®</sup>	sh: 6/6
					part no:	SEE SHEET 5

## X-ON Electronics

Largest Supplier of Electrical and Electronic Components

*Click to view similar products for [D-Sub Standard Connectors](#) category:*

*Click to view products by [CONEC](#) manufacturer:*

Other Similar products are found below :

[56F711-015](#) [012-9507-004](#) [LV242999-142T12](#) [015-0341-000](#) [015-0349-000](#) [015-0372-005](#) [015-0372-008](#) [015-8755-001](#) [020419-0104](#) [012-0467-000](#) [012-0515-000](#) [012-9507-034](#) [012-9507-114](#) [020745-0008](#) [609-25P](#) [M24308/2-23Z](#) [M24308315F](#) [CT2-14S-2PCA34](#) [CT2-18-11PCAU](#) [CT2-36-15SC](#) [CT6-14S-2SC](#) [CT6E14SA7SC](#) [CT6E22-14PC](#) [CT6E22-14PS](#) [CT6E22-22PS](#) [M83513/01-FC](#) [M85049/48-3-2F](#) [6STD09PCM99B70X](#) [6STD09SCM99B30X](#) [6STD09SCT99S40X](#) [6STD15PCT99S40X](#) [6STD15SCM99B30X](#) [6STD15SCT99S40X](#) [6STF09PCM05B70X](#) [7-135760-9](#) [MC11E-10-6SN](#) [747552-3](#) [MD1-21PS](#) [MDM-15SCBRM7-F222](#) [MDM96517-699](#) [MDM96521-744](#) [MDVB1-21SL1](#) [MIK0-1-7SH003](#) [MIKQ6-7SH076](#) [MIKQ7-7PH077](#) [MIKQ7-7PH11](#) [MIKQ7-7PH32](#) [MIKQ9-7PH003](#) [MJSV-28SL61](#) [MKJ4A1F14-55S](#)