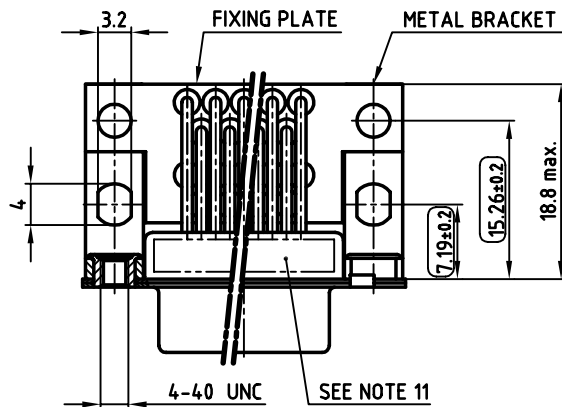
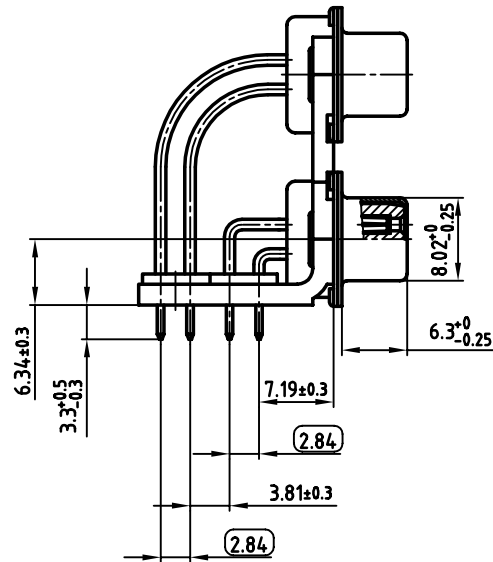
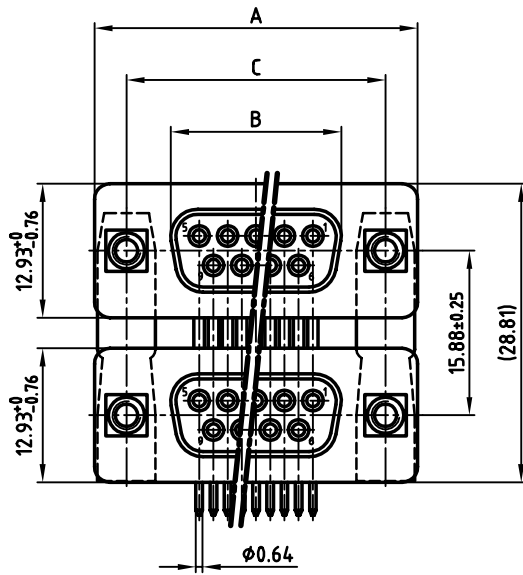


used for: D-SUB FILTER DUAL PORT



**NOTES:**

1. METALSHELLS: STEEL; min. 320µ" TIN
2. INSULATORS: PBT GF UL 94 V-0, BLACK
3. CONTACTS: COPPER ALLOY  
PLATING: 8µ" HARD GOLD OVER min. 50µ" NICKEL
4. METAL BRACKET: STEEL; min. 320µ" TIN over 80µ" NICKEL
5. THREADED INSERT: COPPER ALLOY; min. 200µ" TIN over 80µ" NICKEL
6. FIXING-PLATE: PBT GF UL 94 V-0, BLACK
7. P.C.B. HOLE DRILLINGS ON SHEET 2 + 3
8. CAPACITANCE: 1300pF ±20%
9. DIELECTRIC WITHSTANDING VOLTAGE: 424 VDC
10. MAXIMUM TORQUE VALUE FOR THREAD: 6" LBS
11. CONNECTOR IS PART MARKED: PART-NO. CONEC ABC
12.    = CHECK DIMENSION

POS.	A -0.76	B -0.25	C	Part-NO.
2x 9	31.19	16.46	25.00 <sup>+0.12</sup> / <sub>-0.13</sub>	<b>242A14060X</b>
2x15	39.52	24.79	33.30 <sup>+0.15</sup> / <sub>-0.1</sub>	<b>242A14070X</b>
2x25	53.42	38.50	47.04 ±0.13	<b>242A14080X</b>
2x37	69.70	54.96	63.50 ±0.13	<b>242A14090X</b>

APPROVAL # FREIGABE # DEBLOCAGE # AUTORIZACION # APPROVAL

CUSTOMER APPROVAL DATE:

NAME: TITLE:

COMPANY NAME:

APPROVAL # FREIGABE # DEBLOCAGE # AUTORIZACION # APPROVAL

THIS DRAWING MAY NOT BE COPIED OR REPRODUCED IN ANY WAY, AND MAY NOT BE PASSED ON TO A THIRD PARTY, WITHOUT WRITTEN PERMISSION. OWNERSHIP AND COPYRIGHT OF CONEC GmbH DO NOT ALTER CAD DRAWING BY HAND

rev.	description	date	name

tolerance		scale:	2:1
	dim. in mm	material:	SEE NOTES
2004	date	name	title:
drawn	04.03.	Lehnenkühler	<b>D-SUB FILTER DUAL PORT 15.88mm</b>
appd.	04.03.	Mickenbecker	2 x FEMALE 9pos. - 2 x FEMALE 37pos.
norm	DIN 41652		with threaded insert
d-old			dwg no: AutoCAD 2000 DIN-A
			<b>24K1A516</b>
			part no: SEE TABLE
			3 sh:1/3

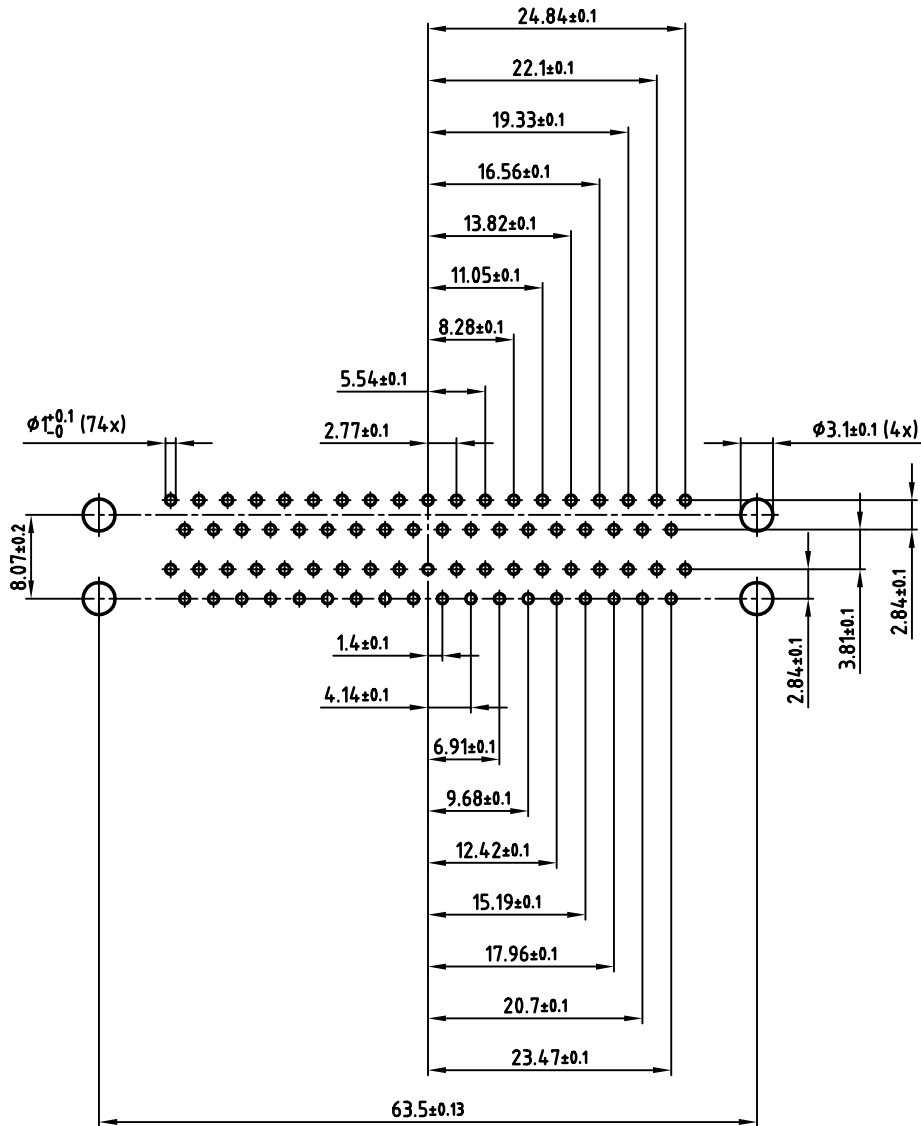
dwg no: AutoCAD 2000

**24K1A516**

part no: SEE TABLE

3 sh:1/3

used for: D-SUB FILTER DUAL PORT



2x37pos.

APPROVAL \* FREIGABE \* DEBLOCAGE \* AUTOR/ZACION \* APPROVAL

CUSTOMER APPROVAL DATE:

NAME: TITLE:

COMPANY NAME:

APPROVAL \* FREIGABE \* DEBLOCAGE \* AUTOR/ZACION \* APPROVAL

THIS DRAWING MAY NOT BE COPIED OR REPRODUCED IN ANY WAY, AND MAY NOT BE PASSED ON TO A THIRD PARTY, WITHOUT WRITTEN PERMISSION. OWNERSHIP AND COPYRIGHT OF CONEC GmbH DO NOT ALTER CAD DRAWING BY HAND

rev.	description	date	name

tolerance			 dim. in mm
2004	date	name	
drawn	04.03.	Lehmenkühler	title: <b>P.C.B. HOLE DRILLINGS</b> D-SUB FILTER DUAL PORT 15.88mm 2 x FEMALE 9pos. - 2 x FEMALE 37pos.
appd.	04.03.	Mickenbecker	
norm	DIN 41652		
d-old			dwg no: AutoCAD 2000
			DIN-A
			3
			sh:3/3
part no: SEE SHEET 1			

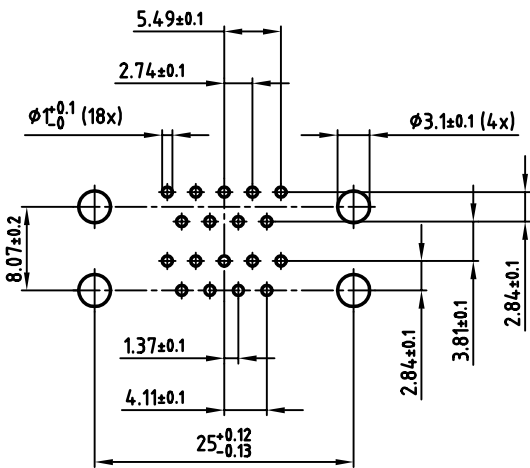
scale: 2:1

material: SEE SHEET 1

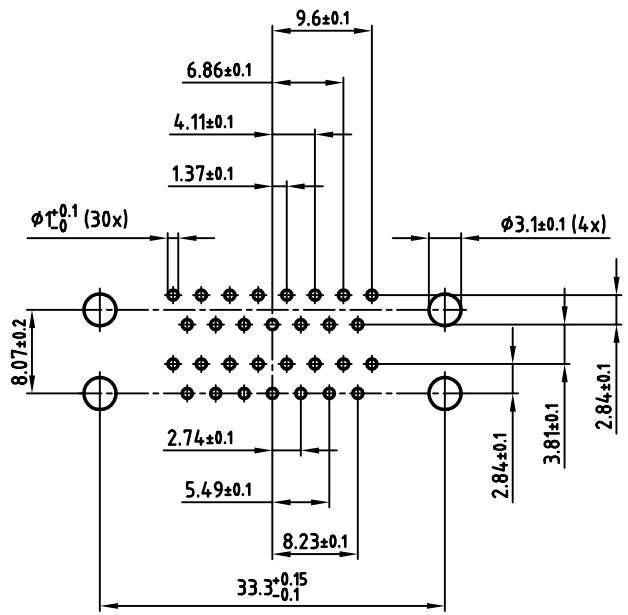
dwg no: AutoCAD 2000

part no: SEE SHEET 1

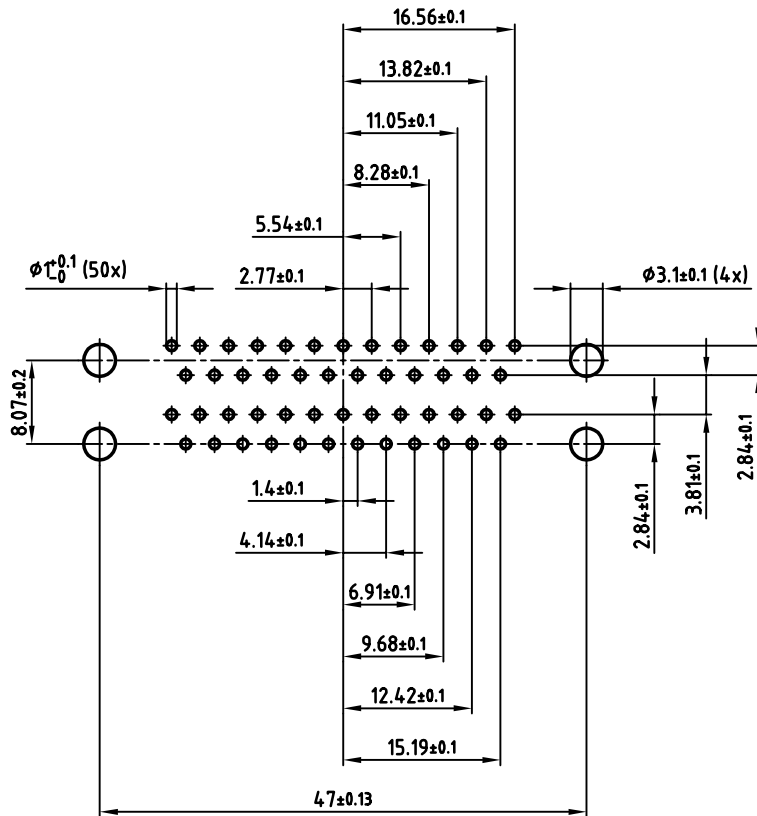
used for: D-SUB FILTER DUAL PORT



2x9pos.



2x15pos.



2x25pos.

APPROVAL \* FREIGABE \* DEBLOCAGE \* AUTORIZACION \* APPROVAL

CUSTOMER APPROVAL DATE:

NAME: TITLE:

COMPANY NAME:

APPROVAL \* FREIGABE \* DEBLOCAGE \* AUTORIZACION \* APPROVAL

THIS DRAWING MAY NOT BE COPIED OR REPRODUCED IN ANY WAY, AND MAY NOT BE PASSED ON TO A THIRD PARTY, WITHOUT WRITTEN PERMISSION. OWNERSHIP AND COPYRIGHT OF CONEC GmbH DO NOT ALTER CAD DRAWING BY HAND

rev.	description	date	name

tolerance		scale:	2:1
	dim. in mm	material:	SEE SHEET 1
2004	date	name	title:
drawn	04.03.	Lehmenkühler	<b>P.C.B. HOLE DRILLINGS</b> D-SUB FILTER DUAL PORT 15.88mm 2 x FEMALE 9pos. - 2 x FEMALE 37pos.
appd.	04.03.	Mickenbecker	
norm	DIN 41652		
d-old			dwg no: AutoCAD 2000
			DIN-A
			3
			sh:2/3
			part no: SEE SHEET 1

24K1A516

6

5

4

2

1

## X-ON Electronics

Largest Supplier of Electrical and Electronic Components

*Click to view similar products for [D-Sub Dualport Connectors](#) category:*

*Click to view products by [CONEC](#) manufacturer:*

Other Similar products are found below :

[787672-3](#) [164A15909X](#) [K42X-E15S/S-A4NJ](#) [K42X-E9SS-A4NJ](#) [242A14060X](#) [164A15819X](#) [DLS2SS5AN21X](#) [241A22450X](#) [242A14180X](#)  
[241A14190X](#) [DLS4SS5AN21X](#) [178-037-513R491](#) [178-037-613R491](#) [178-009-413R571](#) [178-009-513R571](#) [178-009-613R491](#) [178-009-613R691](#) [178-015-513R571](#) [178-015-613R571](#) [178-025-513R571](#) [179-009-513R571](#) [179-009-613R571](#) [179-025-513R571](#) [179-037-513R571](#)  
[K42X-E15S/S-A4N](#) [K42X-E9S/P-A4N](#) [L17H2220131](#) [178-015-513R491](#) [178-025-613R481](#) [178-025-613R571](#) [178-037-513R571](#) [178-037-513R671](#) [L17H2220120](#) [L17H2ED0130](#) [L17H1440130](#) [L17H1770231](#) [L17H2110120](#) [L17H2440120TM](#) [L17H1431134](#) [L17H1212130](#)  
[L17H2212120](#) [L17H1222134](#) [L17H2662120TM](#) [L17H2550120](#) [L17H2440120](#) [L17H2440121](#) [L17H1120134](#) [L17H2120120](#) [L17H2120230](#)  
[L17H1440134](#)