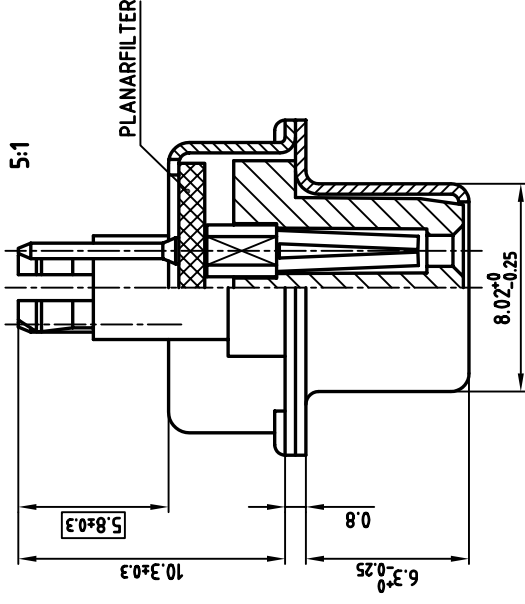


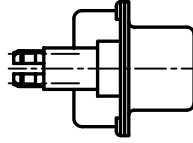
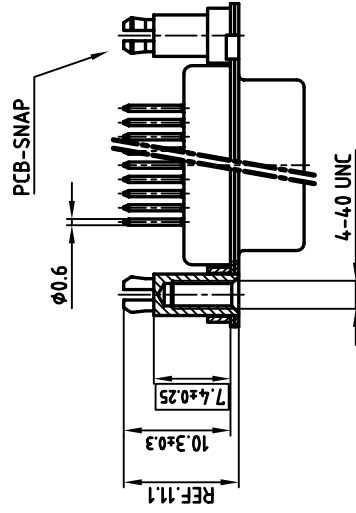
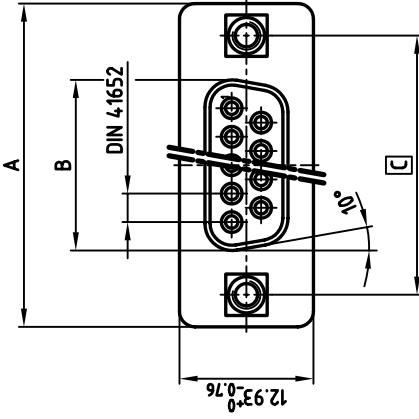
used for: D-SUB FILTER

POS.	A ^{-0.76}	B ^{-0.25}	C	PART NO.
9	31.19	16.46	25.00 ^{+0.12} / _{-0.13}	242A15030X
15	39.52	24.79	33.30 ^{+0.15} / _{-0.1}	242A15040X
25	53.42	38.50	47.04 ^{+0.13}	242A15050X
37	69.70	54.96	63.50 ^{+0.13}	242A15060X



NOTES:

- METALSHELLS: STEEL; TIN PLATED
- INSULATOR: PBTP GF UL 94 V-0
- CONTACTS: COPPER ALLOY
- PLATING: HARD GOLD OVER NICKEL
- PCB-SNAP: COPPER ALLOY; TIN PLATED
PCB HOLE $\phi 3.1 \pm 0.1$; PCB THICKNESS $t = 1.6\text{mm}$
- CAPACITANCE: 1300pF $\pm 20\%$
- DIELECTRIC WITHSTANDING VOLTAGE: 424VDC
- MAXIMUM TORQUE VALUE FOR THREAD: 6" LBS
- = CRITICAL DIMENSION: SPC



THIS DRAWING MAY NOT BE COPIED OR REPRODUCED IN ANY WAY, AND MAY NOT BE PASSED ON TO A THIRD PARTY WITHOUT WRITTEN PERMISSION. OWNERSHIP AND COPYRIGHT OF CONEC GMBH DO NOT ALTER CAD DRAWING BY HAND

rev.	description	date	name

1996	date	name	tolerance
drawn	08.05.	Barcinski	2:1 (5:1)
appr.	08.05.	Mickenbecker	material:
norm	DIN 41652		title:
d-old			

CONEC CORPORATION BRAMPTON, ONTARIO		scale: 2:1 (5:1)	
D-FILTER FEMALE P-TYP 9-37pos. PIN 5.8mm WITH THREADED SPACER CLIP		material: SEE NOTES	
CONEC®		title: D-FILTER FEMALE P-TYP	
		9-37pos. PIN 5.8mm	
		WITH THREADED SPACER CLIP	
		[CAD/ REL.13] DIN-A	
		dwg no: 24K11Y8A	
		product no: SEE TABLE	
		sh: 1/1	

X-ON Electronics

Largest Supplier of Electrical and Electronic Components

Click to view similar products for [D-Sub Standard Connectors](#) category:

Click to view products by [CONEC](#) manufacturer:

Other Similar products are found below :

[56F711-015](#) [012-9507-004](#) [LV242999-142T12](#) [015-0341-000](#) [015-0349-000](#) [015-0372-005](#) [015-0372-008](#) [015-8755-001](#) [020419-0104](#) [012-0467-000](#) [012-0515-000](#) [012-9507-034](#) [012-9507-114](#) [020745-0008](#) [609-25P](#) [M24308/2-23Z](#) [CT2-14S-2PCA34](#) [CT2-18-11PCAU](#) [CT2-36-15SC](#) [CT6-14S-2SC](#) [CT6E14SA7SC](#) [CT6E22-14PC](#) [CT6E22-14PS](#) [CT6E22-22PS](#) [M83513/01-FC](#) [M85049/48-3-2F](#) [6STD09PCM99B70X](#) [6STD09SCM99B30X](#) [6STD09SCT99S40X](#) [6STD15PCT99S40X](#) [6STD15SCM99B30X](#) [6STD15SCT99S40X](#) [6STF09PCM05B70X](#) [7-135760-9](#) [MC11E-10-6SN](#) [747552-3](#) [MD1-21PS](#) [MDM-15SCBRM7-F222](#) [MDM96517-699](#) [MDM96521-744](#) [MDVB1-21SL1](#) [MIK0-1-7SH003](#) [MIKQ6-7SH076](#) [MIKQ7-7PH077](#) [MIKQ7-7PH11](#) [MIKQ7-7PH32](#) [MIKQ9-7PH003](#) [MJSV-28SL61](#) [MKJ4A1F14-55S](#) [8-135760-3](#)