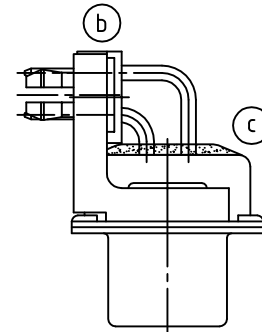
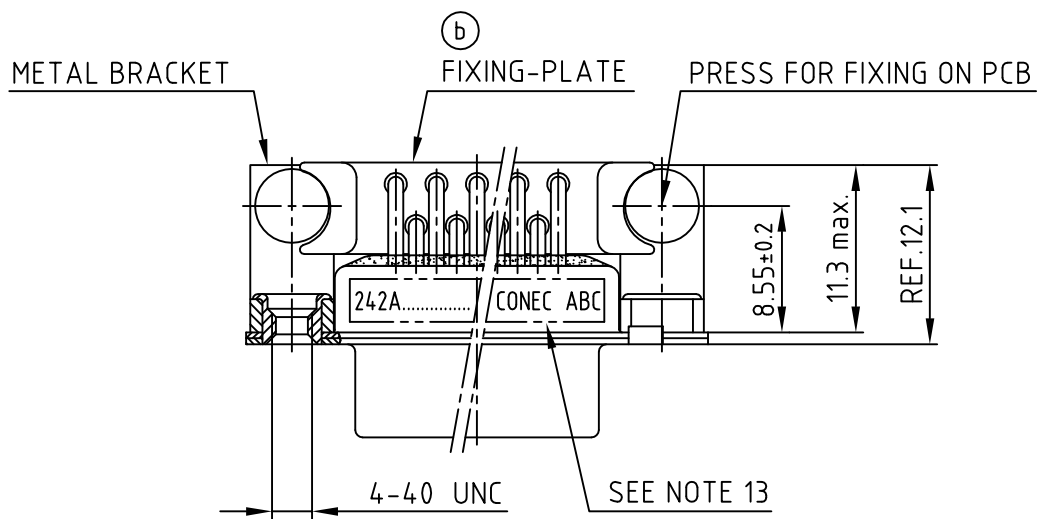
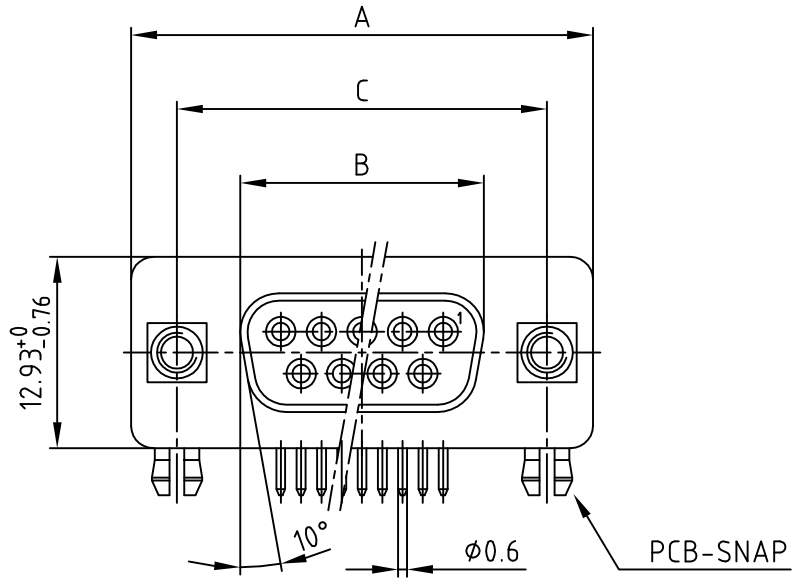
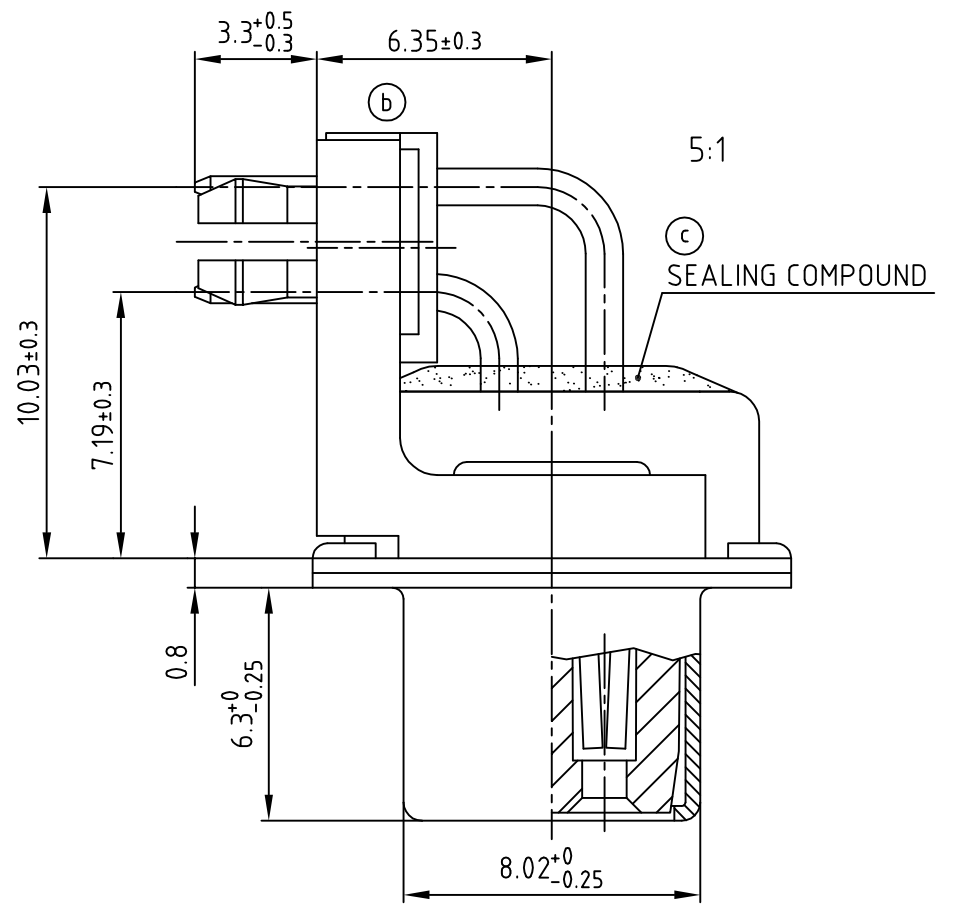


used for: D-SUB FILTER

| POS. | A -0.76 | B -0.25 | C | PART-NO. |
|------|-----------|-----------|--------------------------|------------|
| 9 | 31.19 | 16.46 | 25.00 $+0.12$ -0.13 | 242A17660X |
| 15 | 39.52 | 24.79 | 33.30 $+0.15$ -0.1 | 242A17670X |
| 25 | 53.42 | 38.50 | 47.04 ± 0.13 | 242A17680X |
| 37 | 69.70 | 54.96 | 63.50 ± 0.13 | 242A17690X |



(b) NOTES:

1. RoHS COMPLIANT
2. SUITABLE FOR WAVESOLDERING
3. METAL SHELLS: STEEL; min. 315µm TIN over 40-80µm NICKEL
4. INSULATORS: HIGH TEMPERATURE PLASTIC UL 94 V-0, BLACK
5. CONTACTS: COPPER ALLOY
PLATING: 8µm HARD GOLD OVER min. 50µm NICKEL
6. METAL BRACKET: ZINC DIE CAST; 300µm COPPER/40-120µm NICKEL/120-200µm TIN
7. THREADED INSERT: COPPER ALLOY; min. 200µm TIN over 80µm NICKEL
8. FIXING-PLATE: PBT GF UL 94 V-0, BLACK
9. P.C.B. HOLE DRILLINGS ON SHEET 2
10. CAPACITANCE: 1300pF $\pm 20\%$
11. DIELECTRIC WITHSTANDING VOLTAGE: 424 VDC
12. MAXIMUM TORQUE VALUE FOR THREAD: 6 in.LB
13. CONNECTOR IS PART MARKED: PART-NO. CONEC ABC

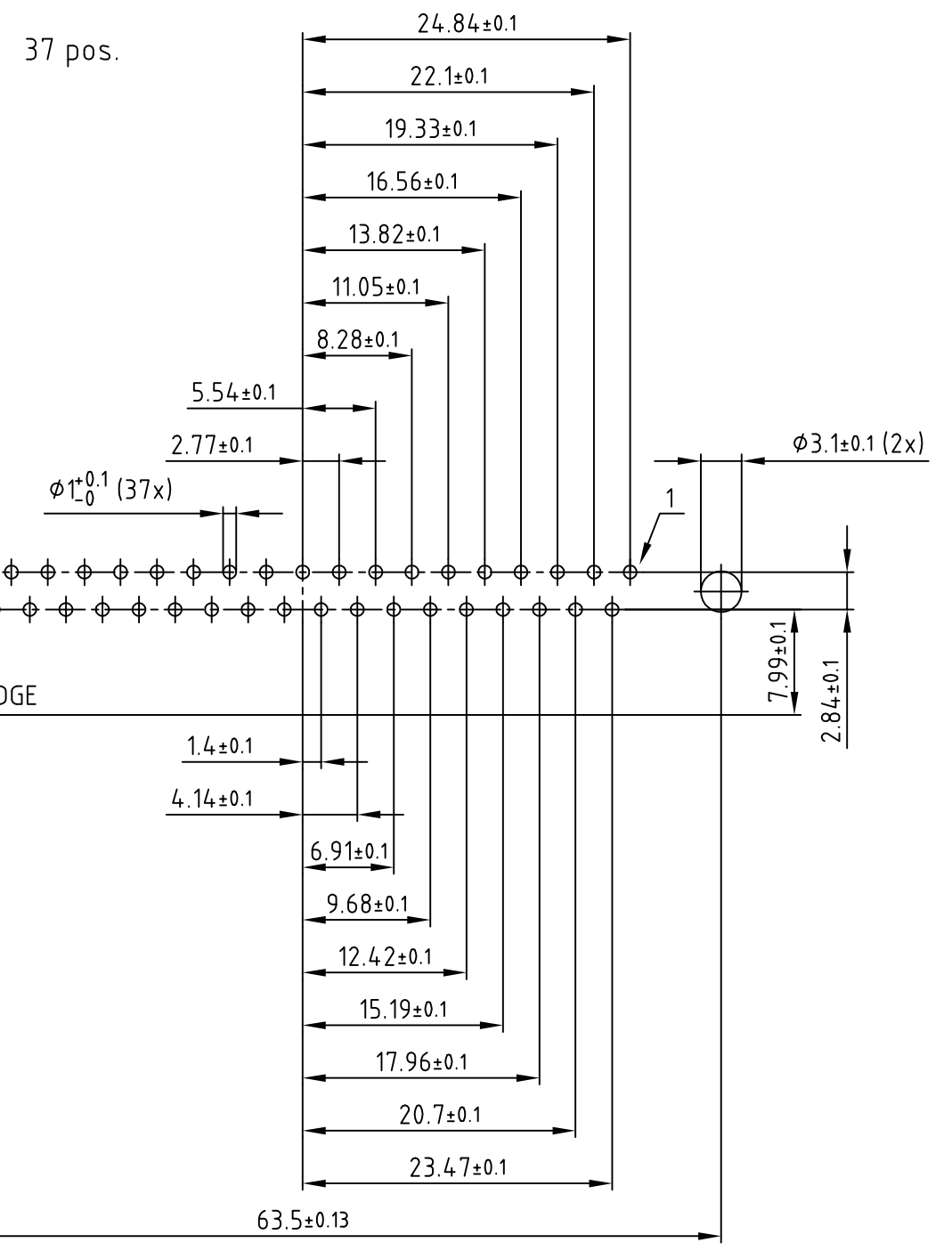
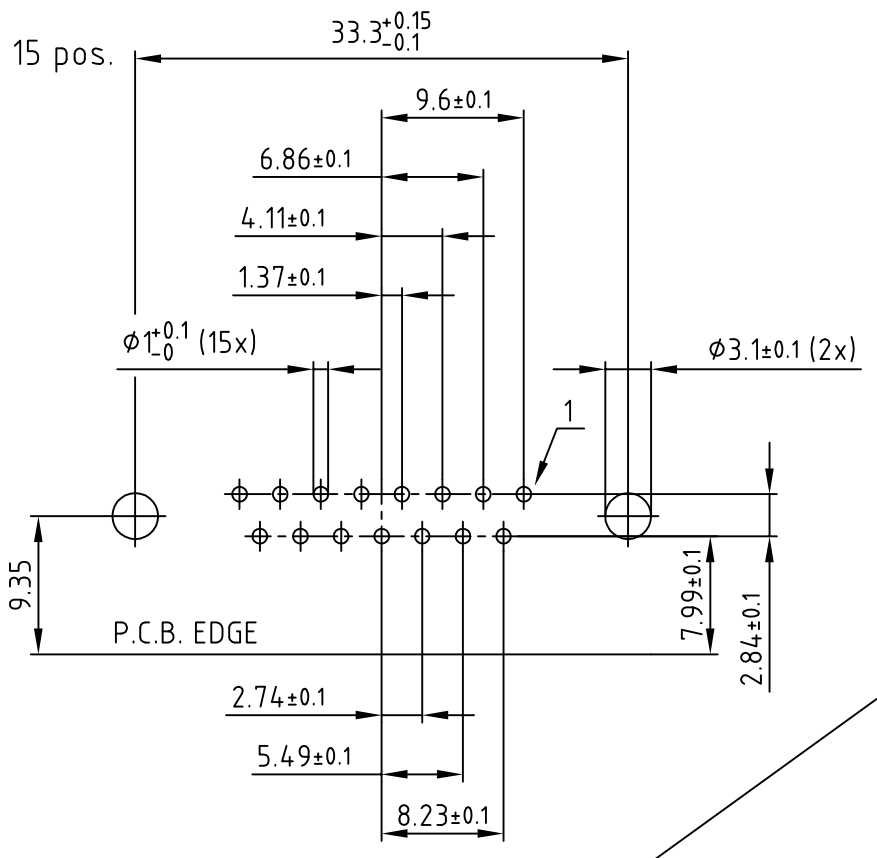
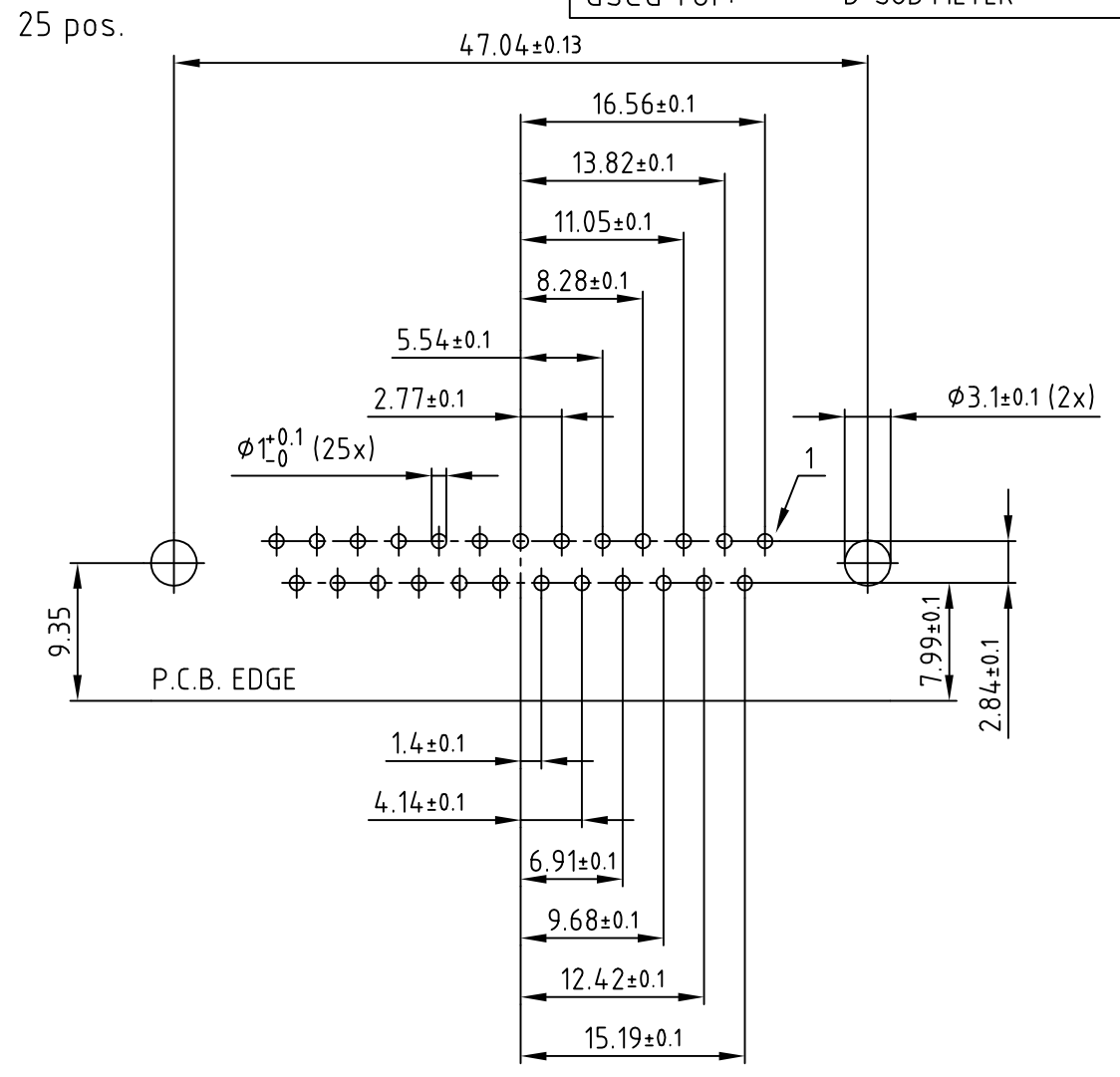
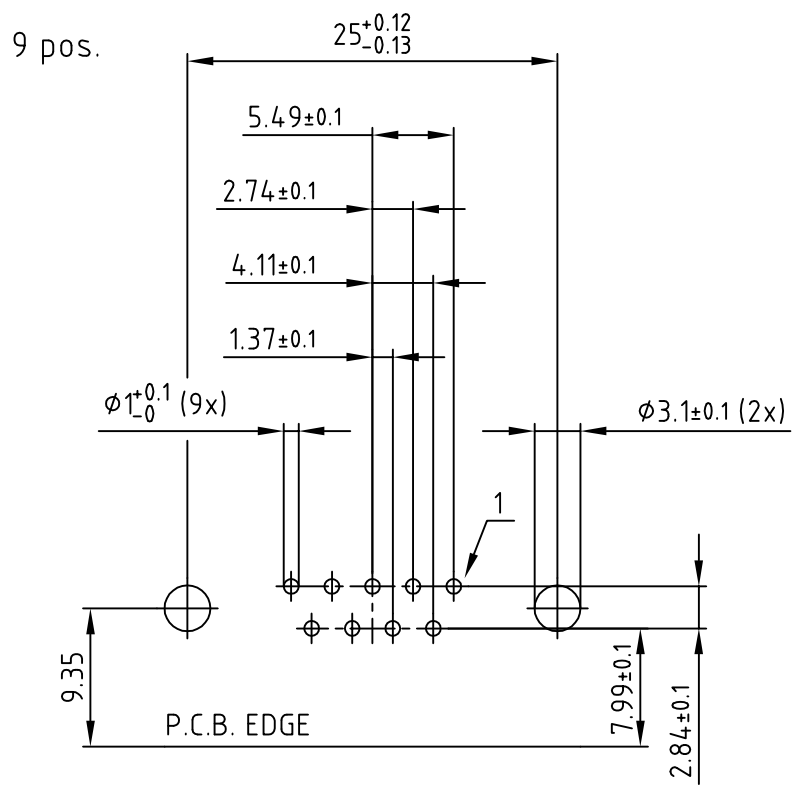
Directive 2002/95/EC RoHS compliant

| | |
|---|--------|
| APPROVAL # FREIGABE # DEBLOCAGE # AUTOR/ZACION # APPROVAL | |
| CUSTOMER APPROVAL DATE: | |
| NAME: | TITLE: |
| COMPANY NAME: | |
| APPROVAL # FREIGABE # DEBLOCAGE # AUTOR/ZACION # APPROVAL | |

| | | | |
|--|-------------|------------|---------------|
| THIS DRAWING MAY NOT BE COPIED OR REPRODUCED IN ANY WAY, AND MAY NOT BE PASSED ON TO A THIRD PARTY WITHOUT WRITTEN PERMISSION. | | | |
| OWNERSHIP AND COPYRIGHT OF CONEC GmbH | | | |
| DO NOT ALTER CAD DRAWING BY HAND | | | |
| 2 x c | Ä 4000 | 12.05.2011 | Lehmen, d-old |
| 4 x b | Ä 3123 | 23.09.2008 | Lehmen, |
| a | Original | | |
| rev. | description | date | name |

| | | | |
|-----------|------------|--------------|---|
| tolerance | dim. in mm | scale: | 2:1 (5:1) |
| | | material: | SEE NOTES |
| 1997 | date | name | title: D-SUB FILTER FEMALE 90° 9-37pos. 0.318inch with threaded insert, metal bracket and snap |
| drawn | 04.11. | Barcinski | |
| appd. | 04.11. | Mickenbecker | |
| norm | DIN 41652 | | |
| dwg no: | | AutoCAD 2006 | DIN-A |
| | | 24K11W0A | 3 |
| part no: | | SEE TABLE | |
| | | sh:1/2 | |





APPROVAL # FREIGABE # DEBLOCAGE # AUTOR/ZACION # APPROVAL

CUSTOMER APPROVAL DATE:

NAME: TITLE:

COMPANY NAME:

APPROVAL # FREIGABE # DEBLOCAGE # AUTOR/ZACION # APPROVAL

THIS DRAWING MAY NOT BE COPIED OR REPRODUCED IN ANY WAY, AND MAY NOT BE PASSED ON TO A THIRD PARTY WITHOUT WRITTEN PERMISSION.

OWNERSHIP AND COPYRIGHT OF CONEC GmbH

DO NOT ALTER CAD DRAWING BY HAND

| | | | | |
|-----------|-------------|---|-----------------------|--------|
| tolerance | | dim. in mm | scale: 2:1 | |
| | | | material: SEE SHEET 1 | |
| 2008 | date | title: | | |
| drawn | 23.09. | P.C.B. HOLE DRILLINGS | | |
| appd. | 23.09. | D-SUB FILTER FEMALE 90° 9-37pos. 0.318inch with threaded insert, metal bracket and snap | | |
| norm | DIN 41652 | | | |
| d-old | | | | |
| a | Original | | | |
| rev. | description | | | |
| date | name | dwg no: AutoCAD 2006 | | DIN-A |
| | | 24K11W0A | | 3 |
| | | part no: SEE SHEET 1 | | sh:2/2 |

APPROVAL # FREIGABE # DEBLOCAGE # AUTOR/ZACION # APPROVAL

X-ON Electronics

Largest Supplier of Electrical and Electronic Components

Click to view similar products for [D-Sub Standard Connectors](#) category:

Click to view products by [CONEC](#) manufacturer:

Other Similar products are found below :

[56F711-015](#) [012-9507-004](#) [LV242999-142T12](#) [015-0341-000](#) [015-0349-000](#) [015-0372-005](#) [015-0372-008](#) [015-8755-001](#) [020419-0104](#) [012-0467-000](#) [012-0515-000](#) [012-9507-034](#) [012-9507-114](#) [020745-0008](#) [609-25P](#) [M24308315F](#) [CT2-14S-2PCA34](#) [CT2-18-11PCAU](#) [CT2-36-15SC](#) [CT6-14S-2SC](#) [CT6E14SA7SC](#) [CT6E22-14PC](#) [CT6E22-14PS](#) [CT6E22-22PS](#) [M83513/01-FC](#) [M85049/48-3-2F](#) [6STD09PCM99B70X](#) [6STD09SCM99B30X](#) [6STD09SCT99S40X](#) [6STD15PCT99S40X](#) [6STD15SCM99B30X](#) [6STD15SCT99S40X](#) [6STF09PCM05B70X](#) [7-135760-9](#) [MC11E-10-6SN](#) [747552-3](#) [MD1-21PS](#) [MDM-15SCBRM7-F222](#) [MDM96517-699](#) [MDM96521-744](#) [MDVB1-21SL1](#) [MIK0-1-7SH003](#) [MIKQ6-7SH076](#) [MIKQ7-7PH077](#) [MIKQ7-7PH11](#) [MIKQ7-7PH32](#) [MIKQ9-7PH003](#) [MJSV-28SL61](#) [MKJ4A1F14-55S](#) [8-135760-3](#)