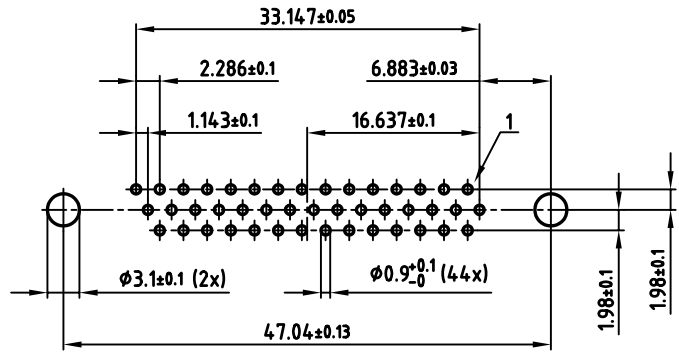
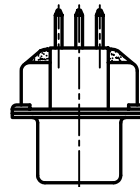
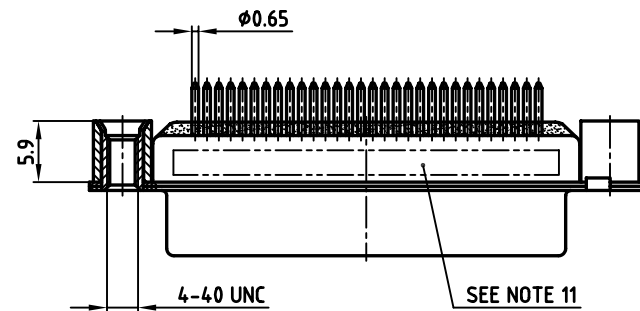
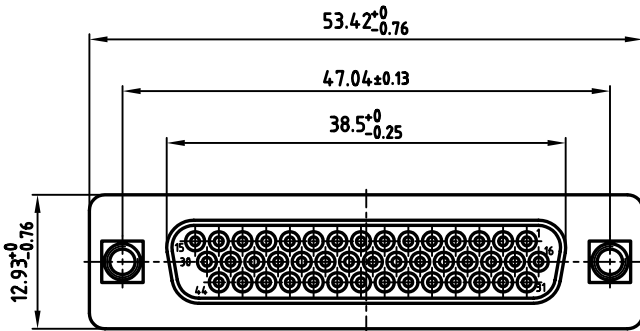
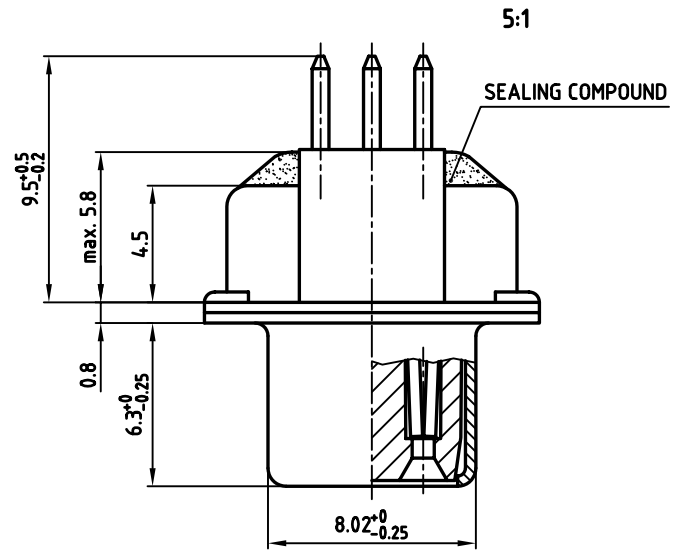


used for: D-SUB HD FILTER



P.C.B. HOLE DRILLINGS



**(b) NOTES:**

1. RoHS COMPLIANT
2. SUITABLE FOR WAVESOLDERING
3. METALSHELLS: STEEL; min. 315μ" TIN over 40-80μ" NICKEL
4. INSULATORS: HIGH TEMPERATURE PLASTIC UL 94 V-0, BLACK
5. CONTACTS: COPPER ALLOY  
PLATING MATING AREA: 8μ" HARD GOLD OVER min. 50μ" NICKEL  
CONTACT TAILS PRETINNED
6. THREADED REAR SPACER: COPPER ALLOY; min. 200μ" TIN over 80μ" NICKEL
7. SLEEVE: COPPER ALLOY; min. 200μ" TIN over 80μ" NICKEL
8. CAPACITANCE: SEE TABLE
9. DIELECTRIC WITHSTANDING VOLTAGE: 300V DC
10. MAXIMUM TORQUE VALUE FOR THREAD: 6 in.LB
11. CONNECTOR IS PART MARKED: PART-NO. CONEC ABC

CAPACITANCE	PART NO.
180pF ±20%	242A27520X
370pF ±20%	242A18240X
830pF ±20%	242A18280X



APPROVAL # FREIGABE # DEBLOCAGE # AUTORIZACION	APPROVAL # FREIGABE # DEBLOCAGE # AUTORIZACION
CUSTOMER APPROVAL DATE:	
NAME:	TITLE:
COMPANY NAME:	
APPROVAL # FREIGABE # DEBLOCAGE # AUTORIZACION	

THIS DRAWING MAY NOT BE COPIED OR REPRODUCED IN ANY WAY, AND MAY NOT BE PASSED ON TO A THIRD PARTY, WITHOUT WRITTEN PERMISSION. OWNERSHIP AND COPYRIGHT OF CONEC GmbH. DO NOT ALTER CAD DRAWING BY HAND

rev.	description	date	name
1 x b	Ä 2521	09.06.2006	Lehmen
a	Origin		

tolerance	dim. in mm	scale:	2:1 (5:1)
		material:	SEE NOTES
2003	date	name	<b>D-SUB HD FILTER FEMALE</b> 44pos. SOLDER PIN STRAIGHT with threaded rear spacer
drawn	16.09.	Lehmenkühler	
appd.	19.09.	Mickenbecker	
norm	DIN 41652		
d-old			
dwg no:			AutoCAD 2006
part no:			SEE TABLE
DIN-A			3
			sh: 1/1



## X-ON Electronics

Largest Supplier of Electrical and Electronic Components

*Click to view similar products for [D-Sub High Density Connectors](#) category:*

*Click to view products by [CONEC](#) manufacturer:*

Other Similar products are found below :

[97-3250-11](#) [163A17089X](#) [164A17199X](#) [164C18629X](#) [L717HDB44POL2R210](#) [L717HDEH15POL2](#) [L777HDE15P](#) [L77HDE15SC309](#)  
[163A16759X](#) [163A16839X](#) [163A16989X](#) [163A17079X](#) [164A17329X](#) [164A18219X](#) [241A16440X](#) [241A16550X](#) [241A16680X](#)  
[241A20810X](#) [241A25740X](#) [CT25-44P](#) [MDBE15PE766](#) [L177HDE15SOL2RM23](#) [L177HRC62SVFM](#) [L177HRCG62S](#)  
[L717HDEG15POL2RM5](#) [L77HDA26SVF](#) [L77HDE15SD1CO](#) [L77HDEH15SOL2RM832](#) [DAMA-15S-WS](#) [443895-3](#) [106698-1](#) [280-](#)  
[012K2C](#) [DBMV13H3SNA197](#) [L177HRB44S](#) [164A17039X](#) [09562004701510](#) [L777HRC62P](#) [241A17960X](#) [164A18269X](#) [280-019S1S9MEN](#)  
[L777HDEG15P](#) [280-018P3S25MEGN](#) [206504-2](#) [40-9515HDSP](#) [2057140-1](#) [C115370-6002](#) [DFMA104SNMBFR172FR022](#) [HDC9F200E2S](#)  
[L717HDAG26POL2RM8](#) [241A28180X](#)