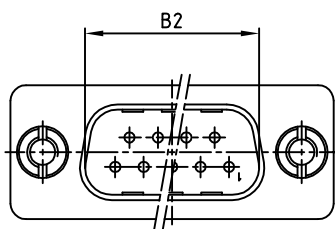
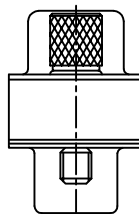
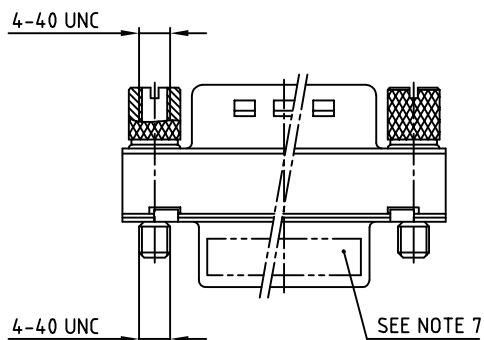
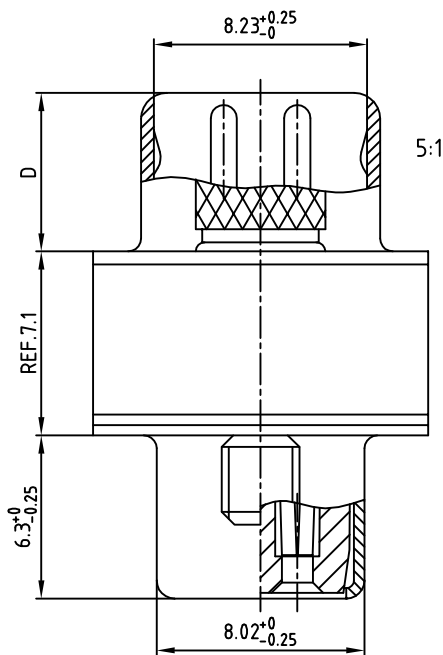
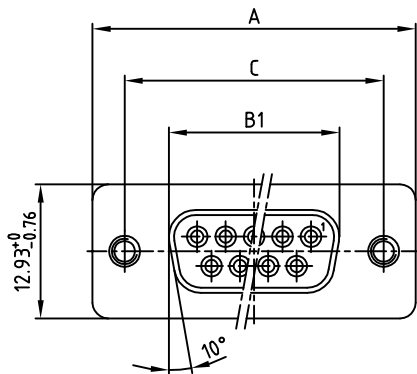


used for: FILTER ADAPTER

| POS. | A $-0.76$ | B1 $-0.25$ | B2 $+0.25$ | C                        | D $-0.3$ | PART NO.   |
|------|-----------|------------|------------|--------------------------|----------|------------|
| 9    | 31.19     | 16.46      | 16.79      | 25.00 $+0.12$<br>$-0.13$ | 6.12     | 243A10050X |
| 15   | 39.52     | 24.79      | 25.12      | 33.30 $+0.15$<br>$-0.1$  | 6.12     | 243A10060X |
| 25   | 53.42     | 38.50      | 38.84      | 47.04 $\pm 0.13$         | 5.99     | 243A10070X |
| 37   | 69.70     | 54.96      | 55.30      | 63.50 $\pm 0.13$         | 5.99     | 243A10080X |



NOTES:

- METALSHELLS: STEEL; min. 320µin TIN
- INSULATORS: PBT GF UL 94 V-0, BLACK
- CONTACTS: COPPER ALLOY  
PLATING: 8µin HARD GOLD OVER min. 50µin NICKEL
- CAPACITANCE: 1300pF  $\pm 20\%$
- DIELECTRIC WITHSTANDING VOLTAGE: 424 VDC
- MAXIMUM TORQUE VALUE FOR THREAD: 6 in.LB
- CONNECTOR IS PART MARKED: PART-NO. CONEC ABC

Directive 2002/95/EC RoHS compliant

|   |        |
|---|--------|
| APPROVAL # FREIGABE # DEBLOCAGE # AUTORIZACION # APPROVAL |        |
| CUSTOMER APPROVAL DATE:                                   |        |
| NAME:   | TITLE: |
| COMPANY NAME:   |        |
| APPROVAL # FREIGABE # DEBLOCAGE # AUTORIZACION # APPROVAL |        |

THIS DRAWING MAY NOT BE COPIED OR REPRODUCED IN ANY WAY, AND MAY NOT BE PASSED ON TO A THIRD PARTY, WITHOUT WRITTEN PERMISSION. OWNERSHIP AND COPYRIGHT OF CONEC GmbH DO NOT ALTER CAD DRAWING BY HAND

| rev. | description | date | name |
|------|-------------|------|------|
|      |             |      |      |
|      |             |      |      |
|      |             |      |      |
|      |             |      |      |
|      |             |      |      |
|      |             |      |      |
|      |             |      |      |
|      |             |      |      |
|      |             |      |      |

|            |           |              |                        |
|------------|-----------|--------------|------------------------|
| tolerance  |           | scale:       | 2:1 (5:1)              |
| dim. in mm |           | material:    | SEE NOTES              |
| 2005       | date      | name         | title:                 |
| drawn      | 03.08.    | Lehmenkühler | D-SUB C-FILTER ADAPTER |
| appd.      | 03.08.    | Mickenbecker | 9-37pos. PLUG / SOCKET |
| norm       | DIN 41652 |              | with jack screws       |
| d-old      |           |              | dwg no:                |
|            |           | AutoCAD 2004 |                        |
|            |           | 24K1A681     | DIN-A                  |
| part no:   |           | SEE TABLE    | 3                      |
|            |           |              | sh: 1/1                |

|          |              |         |
|----------|--------------|---------|
| dwg no:  | AutoCAD 2004 | DIN-A   |
| part no: | SEE TABLE    | 3       |
|          |              | sh: 1/1 |

## X-ON Electronics

Largest Supplier of Electrical and Electronic Components

*Click to view similar products for D-Sub Adapters & Gender Changers category:*

*Click to view products by CONEC manufacturer:*

Other Similar products are found below :

[243A10120X](#) [243A11070X](#) [243A13290X](#) [243A13460X](#) [300X10729X](#) [300X10759X](#) [GCHDLP26F26F](#) [30-9532P](#) [40-9586FP](#) [500-135](#) [40-9526HDMP](#) [56F715-003](#) [243A11800X](#) [243A10560X](#) [40-9526HDSP](#) [243A11060X](#) [56-745-005](#) [243A10580X](#) [56-725-001](#) [SC485](#) [173114-0088](#) [173114-0099](#) [76000670](#) [76000700](#) [NADB9MF](#) [2902323](#) [2902326](#) [40-9538F](#) [163A50049X](#) [NADB15FF-B](#) [NADB9FF-B](#) [243A10030X](#) [76000671](#) [163A50029X](#) [16-501373](#) [FCC17-A15AD-280](#) [FCC17-E09AD-210](#) [FCE17-A15AD-250](#) [FCE17-B25AD-210](#) [FCE17-B25AD-250](#) [FCE17B25AD290](#) [FCE17-E09AD-210](#) [FCE5709500430](#) [2310387](#) [GCHDLP44M44M](#) [GCLP25M25F](#) [FCC17A15AD2E0](#) [FCC17C37AD280](#) [FCC17-E09AD-280](#) [FCC17E09AD293](#)