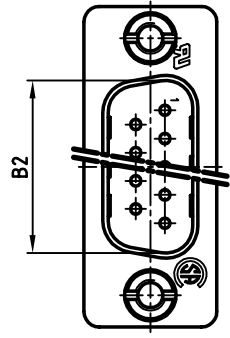
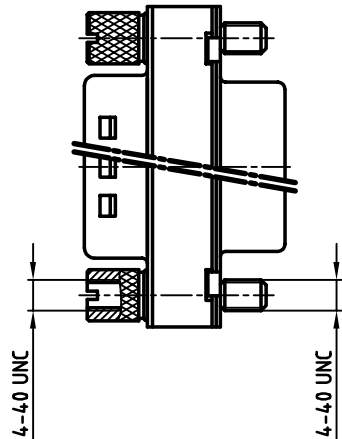
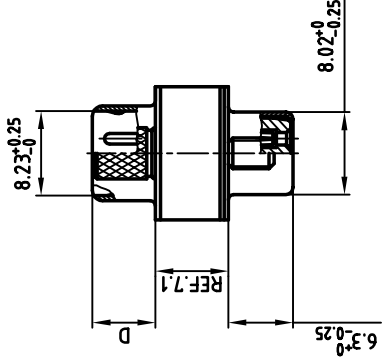
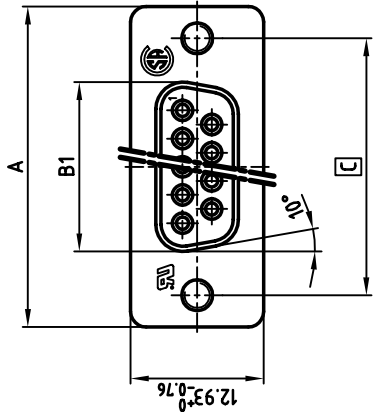


used for: D-SUB FILTER ADAPTER

Part-NO.	POS.	A ^{-0.76}	B1 ^{-0.25}	B2 ^{+0.25}	C	D ^{-0.3}
243A10090X	9	31.19	16.46	16.79	25.00 ^{+0.12} _{-0.13}	6.12
243A10100X	15	39.52	24.79	25.12	33.30 ^{+0.15} _{-0.1}	6.12
243A10110X	25	53.42	38.50	38.84	47.04 ^{+0.13}	5.99
243A10120X	37	69.70	54.96	55.30	63.50 ^{+0.13}	5.99



NOTES:

- METALSHELLS: STEEL; min. 320µ" TIN
- INSULATORS: PBT GF UL 94 V-0, BLACK
- CONTACTS: COPPER ALLOY
- PLATING: min. 8µ" HARD GOLD OVER min. 50µ" NICKEL
- CAPACITANCE: 830pF ±20%
- MAXIMUM TORQUE VALUE FOR THREAD: 6" LBS
- = CRITICAL DIMENSION: SPC

THIS DRAWING MAY NOT BE COPIED OR REPRODUCED IN ANY WAY, AND MAY NOT BE PASSED ON TO A THIRD PARTY WITHOUT WRITTEN PERMISSION.
OWNERSHIP AND COPYRIGHT OF CONEC GMBH

DO NOT ALTER CAD DRAWING BY HAND

rev.	description	date	name

tolerance	name	date
2001	name	date
drawn	08.10.	08.10.
appd.	E. Mickenbecker	DIN 41652
norm		
c-odd		

CONEC CORPORATION
BRAMPTON, ONTARIO

scale: 2:1
material: SEE NOTES

title: D-SUB C-FILTER ADAPTER
9-37pos. PLUG / SOCKET

dwg no: AutoCAD 2000
DIN-A 3
sh: 1/1

part no: 24K1A176A
SEE TABLE



X-ON Electronics

Largest Supplier of Electrical and Electronic Components

Click to view similar products for D-Sub Adapters & Gender Changers category:

Click to view products by CONEC manufacturer:

Other Similar products are found below :

[243A10120X](#) [243A11070X](#) [243A13290X](#) [243A13460X](#) [300X10729X](#) [300X10759X](#) [GCHDLP26F26F](#) [30-9532P](#) [40-9586FP](#) [500-135](#) [40-9526HDMP](#) [56F715-003](#) [243A11800X](#) [243A10560X](#) [40-9526HDSP](#) [243A11060X](#) [56-745-005](#) [243A10580X](#) [56-725-001](#) [SC485](#) [173114-0088](#) [173114-0099](#) [76000670](#) [76000700](#) [NADB9MF](#) [2902323](#) [2902326](#) [40-9538F](#) [163A50049X](#) [NADB15FF-B](#) [NADB9FF-B](#) [243A10030X](#) [76000671](#) [163A50029X](#) [16-501373](#) [FCC17-A15AD-280](#) [FCC17-E09AD-210](#) [FCE17-A15AD-250](#) [FCE17-B25AD-210](#) [FCE17-B25AD-250](#) [FCE17B25AD290](#) [FCE17-E09AD-210](#) [FCE5709500430](#) [2310387](#) [GCHDLP44M44M](#) [GCLP25M25F](#) [FCC17A15AD2E0](#) [FCC17C37AD280](#) [FCC17-E09AD-280](#) [FCC17E09AD293](#)