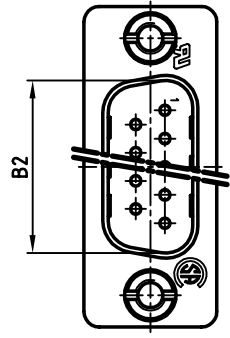
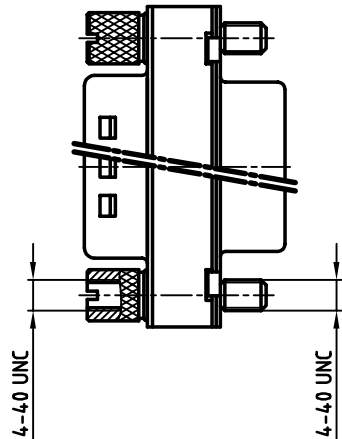
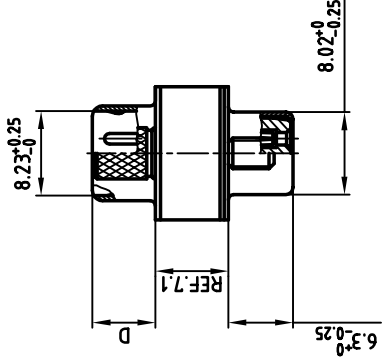
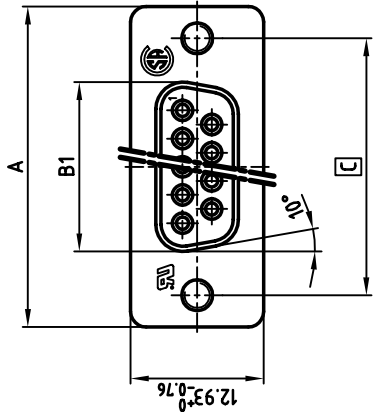


used for: D-SUB FILTER ADAPTER

Part-NO.	POS.	A <sup>-0.76</sup>	B1 <sup>-0.25</sup>	B2 <sup>+0.25</sup>	C	D <sup>-0.3</sup>
243A10090X	9	31.19	16.46	16.79	25.00 <sup>+0.12</sup> <sub>-0.13</sub>	6.12
243A10100X	15	39.52	24.79	25.12	33.30 <sup>+0.15</sup> <sub>-0.1</sub>	6.12
243A10110X	25	53.42	38.50	38.84	47.04 <sup>+0.13</sup>	5.99
243A10120X	37	69.70	54.96	55.30	63.50 <sup>+0.13</sup>	5.99



- NOTES:**
1. METAL SHELLS: STEEL; min. 320μ" TIN
  2. INSULATORS: PBT GF UL 94 V-0, BLACK
  3. CONTACTS: COPPER ALLOY
  4. PLATING: min. 8μ" HARD GOLD OVER min. 50μ" NICKEL
  5. CAPACITANCE: 830pF ±20%
  6. MAXIMUM TORQUE VALUE FOR THREAD: 6" LBS
  7.   = CRITICAL DIMENSION: SPC

THIS DRAWING MAY NOT BE COPIED OR REPRODUCED IN ANY WAY, AND MAY NOT BE PASSED ON TO A THIRD PARTY WITHOUT WRITTEN PERMISSION.

OWNERSHIP AND COPYRIGHT OF CONEC GMBH

DO NOT ALTER CAD DRAWING BY HAND

CONEC CORPORATION BRAMPTON, ONTARIO		tolerance	scale: 2:1
2001	date	name	material: SEE NOTES
drawn	08.10.	Paral	title:
appd.	08.10.	E. Mickenbecker	<b>D-SUB C-FILTER ADAPTER</b>
norm		DIN 41652	9-37pos. PLUG / SOCKET
c-odd			dwg no: AutoCAD 2000
			DIN-A
			3
			sh: 1/1
			part no: <b>24K1A176A</b>
			SEE TABLE

**CONEC**

## X-ON Electronics

Largest Supplier of Electrical and Electronic Components

*Click to view similar products for D-Sub Adapters & Gender Changers category:*

*Click to view products by CONEC manufacturer:*

Other Similar products are found below :

[243A10120X](#) [243A11070X](#) [243A13290X](#) [243A13460X](#) [300X10729X](#) [300X10759X](#) [GCHDLP26F26F](#) [30-9532P](#) [40-9586FP](#) [500-135](#) [40-9526HDMP](#) [56F715-003](#) [243A11800X](#) [243A10560X](#) [40-9526HDSP](#) [243A11060X](#) [56-745-005](#) [243A10580X](#) [56-725-001](#) [SC485](#) [173114-0088](#) [173114-0099](#) [76000670](#) [76000700](#) [NADB9MF](#) [2902323](#) [2902326](#) [40-9538F](#) [163A50049X](#) [NADB15FF-B](#) [NADB9FF-B](#) [243A10030X](#) [76000671](#) [163A50029X](#) [16-501373](#) [FCC17-A15AD-280](#) [FCC17-E09AD-210](#) [FCE17-A15AD-250](#) [FCE17-B25AD-210](#) [FCE17-B25AD-250](#) [FCE17B25AD290](#) [FCE17-E09AD-210](#) [FCE5709500430](#) [2310387](#) [GCHDLP44M44M](#) [GCLP25M25F](#) [FCC17A15AD2E0](#) [FCC17C37AD280](#) [FCC17-E09AD-280](#) [FCC17E09AD293](#)