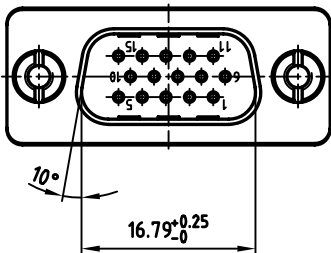
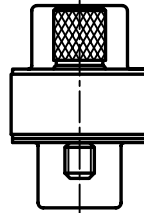
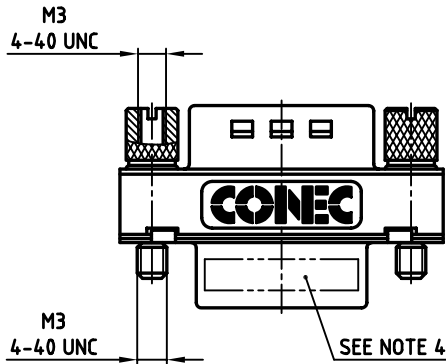
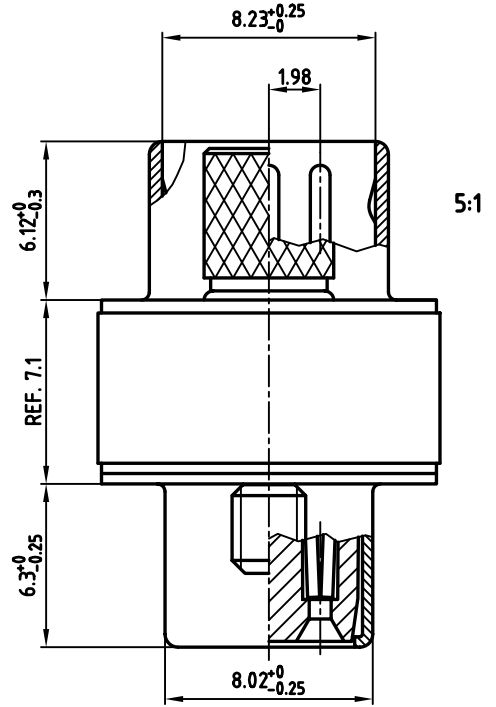
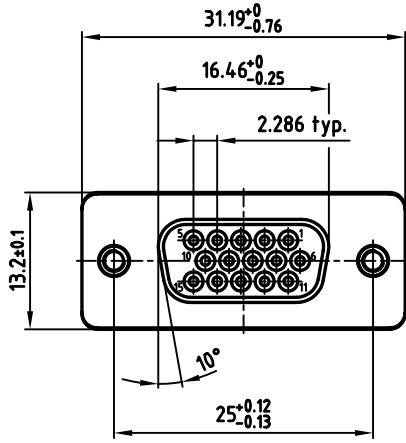


used for: D-SUB HD FILTER ADAPTER

		PART NO.	
FILTER	CAPACITANCE	M3	4-4.0 UNC
TYPE 1	180pF±20%	243811720X	243811600X
TYPE 3	370pF±20%	243811760X	243811640X
TYPE 4	830pF±20%	243811800X	243811680X



NOTES:

- METALSHELLS: STEEL; min. 315µm TIN over 40-80µm NICKEL
- INSULATORS: PBT GF UL 94 V-0, BLACK
- CONTACTS: COPPER ALLOY
 PLATING: § USE A FOR QUALITY CLASS 3 (8µm HARD GOLD OVER min. 50µm NICKEL)
 § USE B FOR QUALITY CLASS 2 (20µm HARD GOLD OVER min. 50µm NICKEL)
 § USE C FOR QUALITY CLASS 1 (30µm HARD GOLD OVER min. 50µm NICKEL)
- CONNECTOR IS PART MARKED: PART-NO. CONEC ABC

Directive 2002/95 EC
RoHS
Compliant

APPROVAL # FREIGABE # DEBLOCAGE # AUTOR/ZACIION # APPROVAL

CUSTOMER APPROVAL DATE:

NAME: TITLE:

COMPANY NAME:

APPROVAL # FREIGABE # DEBLOCAGE # AUTOR/ZACIION # APPROVAL

THIS DRAWING MAY NOT BE COPIED OR REPRODUCED IN ANY WAY, AND MAY NOT BE PASSED ON TO A THIRD PARTY WITHOUT WRITTEN PERMISSION. OWNERSHIP AND COPYRIGHT OF CONEC GmbH DO NOT ALTER CAD DRAWING BY HAND

rev.	description	date	name
1 x b	Ä 2535	18.07.2006	Lehmen
a	Origin		

tolerance	dim. in mm	scale:	2:1 (5:1)
		material:	SEE NOTES
1997	date	name	title:
drawn	28.01.	Barcinski	D-SUB HD FILTER ADAPTER
appd.	28.01.	Mickenbecker	15pos.
norm	DIN 41652		dwg no:
d-old			AutoCAD 2006
			DIN-A
			3
			sh:1/1
part no:			SEE TABLE



X-ON Electronics

Largest Supplier of Electrical and Electronic Components

Click to view similar products for D-Sub Adapters & Gender Changers category:

Click to view products by CONEC manufacturer:

Other Similar products are found below :

[243A10120X](#) [243A11070X](#) [243A13290X](#) [243A13460X](#) [300X10729X](#) [300X10759X](#) [GCHDLP26F26F](#) [30-9532P](#) [40-9586FP](#) [500-135](#) [40-9526HDMP](#) [56F715-003](#) [243A11800X](#) [243A10560X](#) [40-9526HDSP](#) [243A11060X](#) [56-745-005](#) [243A10580X](#) [56-725-001](#) [SC485](#) [173114-0088](#) [173114-0099](#) [76000670](#) [76000700](#) [NADB9MF](#) [2902323](#) [2902326](#) [40-9538F](#) [163A50049X](#) [NADB15FF-B](#) [NADB9FF-B](#) [243A10030X](#) [76000671](#) [163A50029X](#) [16-501373](#) [FCC17-A15AD-280](#) [FCC17-E09AD-210](#) [FCE17-A15AD-250](#) [FCE17-B25AD-210](#) [FCE17-B25AD-250](#) [FCE17B25AD290](#) [FCE17-E09AD-210](#) [FCE5709500430](#) [2310387](#) [GCHDLP44M44M](#) [GCLP25M25F](#) [FCC17A15AD2E0](#) [FCC17C37AD280](#) [FCC17-E09AD-280](#) [FCC17E09AD293](#)