

LC-FILTER D-SUB ADAPTER

Socket connector / Plug connector – Precision machined contacts – Full Metal



RoHS compliant – CSA listed, File No.: LR 115000-1 – UL listed, File No.: E202784

DESCRIPTION

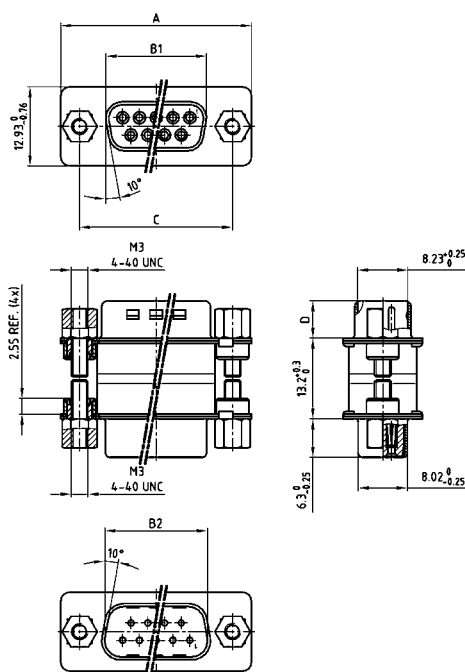
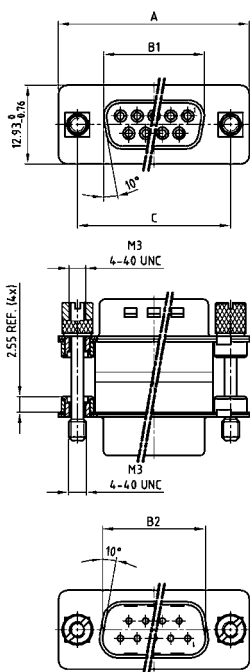
- Mounting styles:
 - with 4-40 UNC or M3 jack screw
 - with 4-40 UNC or M3 hex bolt
- Quality class 3 (also available in quality class 1)
- Shell: Steel tin plated

PRODUCT DRAWING

Version with jack screw

No. of pos.	A -0.76	B1 -0.25	B2 +0.25	C	D -0.3
09	31.19	16.46	16.79	25.00 $^{+0.12}_{-0.13}$	6.10
15	39.52	24.79	25.12	33.30 $^{+0.15}_{-0.10}$	6.12
25	53.42	38.50	38.84	47.04 ± 0.13	5.99
37	69.70	54.96	55.30	63.50 ± 0.13	5.99

Version with hex bolt



ORDER DATA

Capacitance 180 pF

SOCKET CONNECTOR / PLUG CONNECTOR WITH JACK SCREW		
No. of pos.	Mounting style	Part Number
09	4-40 UNC Jack screw	243 A 12800 X
15	4-40 UNC Jack screw	243 A 12810 X
25	4-40 UNC Jack screw	243 A 12820 X
37	4-40 UNC Jack screw	243 A 12830 X
09	M3 Jack screw	243 A 12960 X
15	M3 Jack screw	243 A 12970 X
25	M3 Jack screw	243 A 12980 X
37	M3 Jack screw	243 A 12990 X

SOCKET CONNECTOR / PLUG CONNECTOR WITH HEX BOLT		
No. of pos.	Mounting style	Part Number
09	4-40 UNC Hex bolt	243 A 13440 X
15	4-40 UNC Hex bolt	243 A 13450 X
25	4-40 UNC Hex bolt	243 A 13460 X
37	4-40 UNC Hex bolt	243 A 13470 X
09	M3 Hex bolt	243 A 13600 X
15	M3 Hex bolt	243 A 13610 X
25	M3 Hex bolt	243 A 13620 X
37	M3 Hex bolt	243 A 13630 X

LC-FILTER D-SUB ADAPTER

Socket connector / Plug connector – Precision machined contacts – Full Metal

ORDER DATA

Capacitance 370 pF

SOCKET CONNECTOR / PLUG CONNECTOR WITH JACK SCREW			SOCKET CONNECTOR / PLUG CONNECTOR WITH HEX BOLT		
No. of pos.	Mounting style	Part Number	No. of pos.	Mounting style	Part Number
09	4-40 UNC Jack screw	243 A 12840 X	09	4-40 UNC Hex bolt	243 A 13480 X
15	4-40 UNC Jack screw	243 A 12850 X	15	4-40 UNC Hex bolt	243 A 13490 X
25	4-40 UNC Jack screw	243 A 12860 X	25	4-40 UNC Hex bolt	243 A 13500 X
37	4-40 UNC Jack screw	243 A 12870 X	37	4-40 UNC Hex bolt	243 A 13510 X
09	M3 Jack screw	243 A 13000 X	09	M3 Hex bolt	243 A 13640 X
15	M3 Jack screw	243 A 13010 X	15	M3 Hex bolt	243 A 13650 X
25	M3 Jack screw	243 A 13020 X	25	M3 Hex bolt	243 A 13660 X
37	M3 Jack screw	243 A 13030 X	37	M3 Hex bolt	243 A 13670 X

Capacitance 830 pF

SOCKET CONNECTOR / PLUG CONNECTOR WITH JACK SCREW			SOCKET CONNECTOR / PLUG CONNECTOR WITH HEX BOLT		
No. of pos.	Mounting style	Part Number	No. of pos.	Mounting style	Part Number
09	4-40 UNC Jack screw	243 A 12880 X	09	4-40 UNC Hex bolt	243 A 13520 X
15	4-40 UNC Jack screw	243 A 12890 X	15	4-40 UNC Hex bolt	243 A 13530 X
25	4-40 UNC Jack screw	243 A 12900 X	25	4-40 UNC Hex bolt	243 A 13540 X
37	4-40 UNC Jack screw	243 A 12910 X	37	4-40 UNC Hex bolt	243 A 13550 X
09	M3 Jack screw	243 A 13040 X	09	M3 Hex bolt	243 A 13680 X
15	M3 Jack screw	243 A 13050 X	15	M3 Hex bolt	243 A 13690 X
25	M3 Jack screw	243 A 13060 X	25	M3 Hex bolt	243 A 13700 X
37	M3 Jack screw	243 A 13070 X	37	M3 Hex bolt	243 A 13710 X

Capacitance 1300 pF

SOCKET CONNECTOR / PLUG CONNECTOR WITH JACK SCREW			SOCKET CONNECTOR / PLUG CONNECTOR WITH HEX BOLT		
No. of pos.	Mounting style	Part Number	No. of pos.	Mounting style	Part Number
09	4-40 UNC Jack screw	243 A 12920 X	09	4-40 UNC Hex bolt	243 A 13560 X
15	4-40 UNC Jack screw	243 A 12930 X	15	4-40 UNC Hex bolt	243 A 13570 X
25	4-40 UNC Jack screw	243 A 12940 X	25	4-40 UNC Hex bolt	243 A 13580 X
37	4-40 UNC Jack screw	243 A 12950 X	37	4-40 UNC Hex bolt	243 A 13590 X
09	M3 Jack screw	243 A 13080 X	09	M3 Hex bolt	243 A 13720 X
15	M3 Jack screw	243 A 13090 X	15	M3 Hex bolt	243 A 13730 X
25	M3 Jack screw	243 A 13100 X	25	M3 Hex bolt	243 A 13740 X
37	M3 Jack screw	243 A 13110 X	37	M3 Hex bolt	243 A 13750 X

X-ON Electronics

Largest Supplier of Electrical and Electronic Components

Click to view similar products for D-Sub Adapters & Gender Changers category:

Click to view products by CONEC manufacturer:

Other Similar products are found below :

[243A10120X](#) [243A11070X](#) [243A13290X](#) [243A13460X](#) [300X10729X](#) [300X10759X](#) [GCHDLP26F26F](#) [30-9532P](#) [40-9586FP](#) [500-135](#) [40-9526HDMP](#) [56F715-003](#) [243A11800X](#) [243A10560X](#) [40-9526HDSP](#) [243A11060X](#) [56-745-005](#) [243A10580X](#) [56-725-001](#) [SC485](#) [173114-0088](#) [173114-0099](#) [76000670](#) [76000700](#) [NADB9MF](#) [2902323](#) [2902326](#) [40-9538F](#) [163A50049X](#) [NADB15FF-B](#) [NADB9FF-B](#) [243A10030X](#) [76000671](#) [163A50029X](#) [16-501373](#) [FCC17-A15AD-280](#) [FCC17-E09AD-210](#) [FCE17-A15AD-250](#) [FCE17-B25AD-210](#) [FCE17-B25AD-250](#) [FCE17B25AD290](#) [FCE17-E09AD-210](#) [FCE5709500430](#) [2310387](#) [GCHDLP44M44M](#) [GCLP25M25F](#) [FCC17A15AD2E0](#) [FCC17C37AD280](#) [FCC17-E09AD-280](#) [FCC17E09AD293](#)