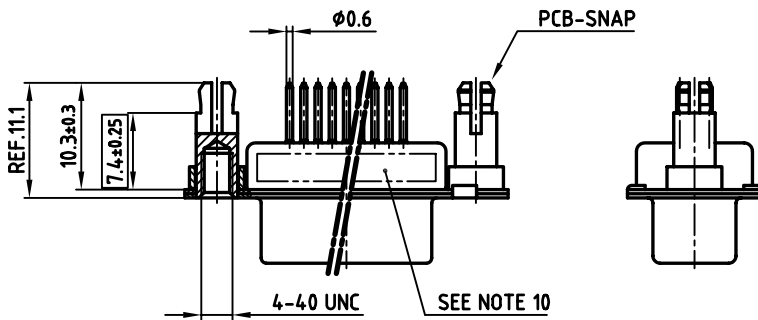
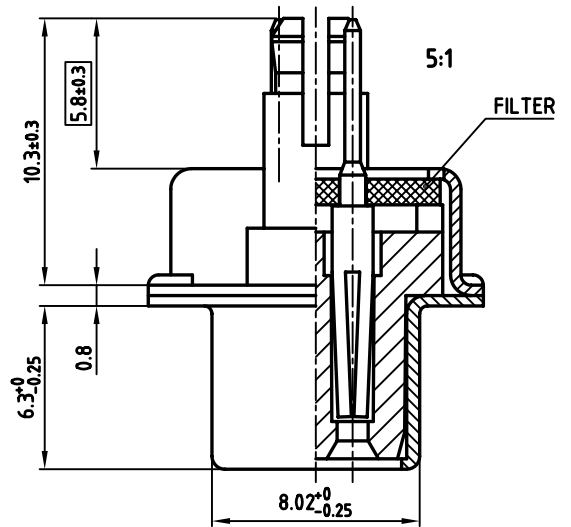
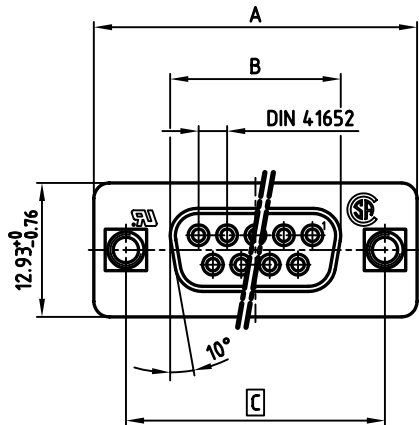


used for: D-SUB FILTER



POS	A -0.76	B -0.25	C	Part No:
9	31.19	16.46	25.00 <sup>+0.12</sup> <sub>-0.13</sub>	<b>248C15030X</b>
15	39.52	24.79	33.30 <sup>+0.15</sup> <sub>-0.1</sub>	<b>248C15040X</b>
25	53.42	38.50	47.04 <sup>+0.13</sup>	<b>248C15050X</b>
37	69.70	54.96	63.50 <sup>+0.13</sup>	<b>248C15060X</b>

**NOTES:**

- METALSHELLS: STEEL; min. 320µ" TIN
- INSULATORS: PBT GF UL 94 V-0, BLACK
- CONTACTS: COPPER ALLOY
- PLATING: min. 30µ" HARD GOLD OVER min. 50µ" NICKEL
- THREADED SPACER CLIP: COPPER ALLOY; min. 200µ" TIN over 80µ" NICKEL  
PCB-HOLE:  $\phi 3.1 \pm 0.1$ ; PCB THICKNESS 1.6mm
- P.C.B. HOLE DRILLINGS ON DRAWING NO.: 16K111UA
- CAPACITANCE: 1300pF  $\pm 20\%$
- DIELECTRIC WITHSTANDING VOLTAGE: 1500VDC
- MAXIMUM TORQUE VALUE FOR THREAD: 6" LBS
- CONNECTOR IS PART MARKED: PART-NO. CONEC Y/WW
- = CRITICAL DIMENSION: SPC

THIS DRAWING MAY NOT BE COPIED OR REPRODUCED IN ANY WAY, AND MAY NOT BE PASSED ON TO A THIRD PARTY, WITHOUT WRITTEN PERMISSION. OWNERSHIP AND COPYRIGHT OF CONEC Gmbh DO NOT ALTER CAD DRAWING BY HAND

tolerance		scale: 2:1 ( 5:1)	
		material: SEE NOTES	
2000	date	title:	
drawn	08.11.	D-FILTER FEMALE	
appd.	08.11.	PIN VERSION 9-37 pos.	
norm	DIN 41652	with threaded spacer clip	
d-old		dwg no: AutoCAD 2000	
		DIN-A	
		24K1A056A	
part no: SEE TABLE		sh: 1/1	
rev.	description	date	name

## X-ON Electronics

Largest Supplier of Electrical and Electronic Components

*Click to view similar products for [D-Sub Standard Connectors](#) category:*

*Click to view products by [CONEC](#) manufacturer:*

Other Similar products are found below :

[56F711-015](#) [012-9507-004](#) [LV242999-142T12](#) [015-0341-000](#) [015-0349-000](#) [015-0372-005](#) [015-0372-008](#) [015-8755-001](#) [020419-0104](#) [012-0467-000](#) [012-0515-000](#) [012-9507-034](#) [012-9507-114](#) [020745-0008](#) [609-25P](#) [CT2-14S-2PCA34](#) [CT2-18-11PCAU](#) [CT2-36-15SC](#) [CT6-14S-2SC](#) [CT6E14SA7SC](#) [CT6E22-14PC](#) [CT6E22-14PS](#) [CT6E22-22PS](#) [M83513/01-FC](#) [M85049/48-3-2F](#) [6STD09PCM99B70X](#) [6STD09SCM99B30X](#) [6STD09SCT99S40X](#) [6STD15PCT99S40X](#) [6STD15SCM99B30X](#) [6STD15SCT99S40X](#) [6STF09PCM05B70X](#) [7-135760-9](#) [MC11E-10-6SN](#) [747552-3](#) [MD1-21PS](#) [MDM-15SCBRM7-F222](#) [MDM96517-699](#) [MDM96521-744](#) [MDVB1-21SL1](#) [MIK0-1-7SH003](#) [MIKQ6-7SH076](#) [MIKQ7-7PH077](#) [MIKQ7-7PH11](#) [MIKQ7-7PH32](#) [MIKQ9-7PH003](#) [MJSV-28SL61](#) [MKJ4A1F14-55S](#) [8-135760-3](#) [8STD09PCM99B30X](#)