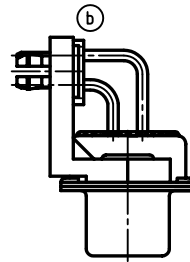
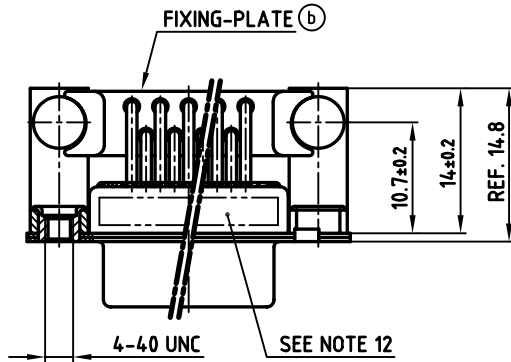
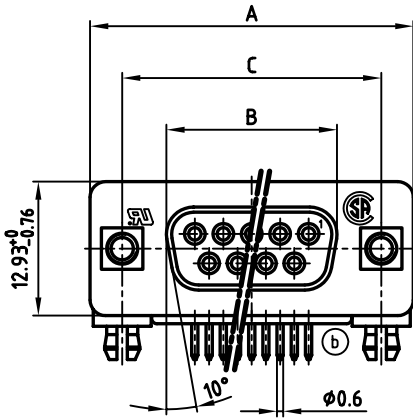
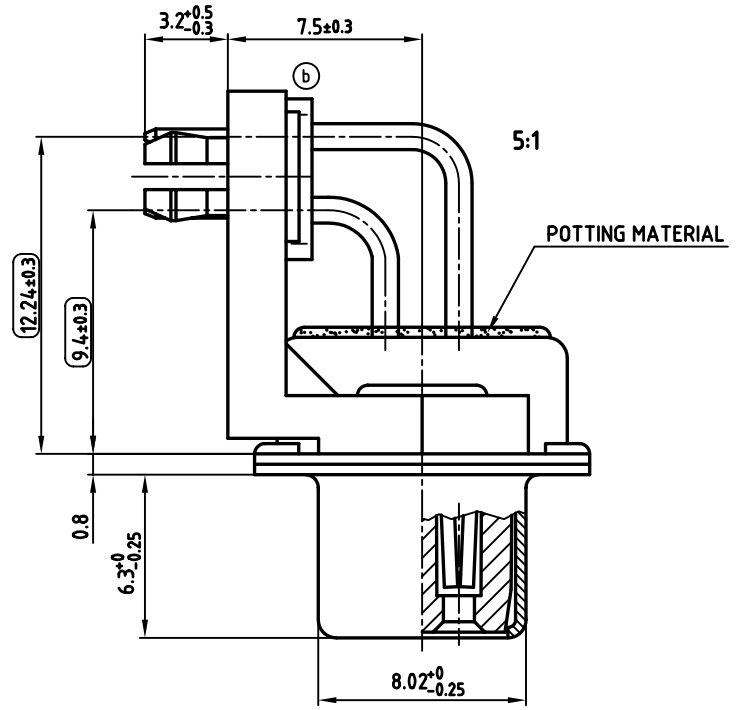


| No. of pos. | A ^{-0.76} | B ^{-0.25} | C | Part No. |
|-------------|--------------------|--------------------|---|-------------------|
| 9 | 31.19 | 16.46 | 25.00 ^{+0.12} _{-0.15} | 248C21530X |
| 15 | 39.52 | 24.79 | 33.30 ^{+0.15} _{-0.1} | 248C21540X |
| 25 | 53.42 | 38.50 | 47.04 ^{±0.13} | 248C21550X |
| 37 | 69.70 | 54.96 | 63.50 ^{±0.13} | 248C21560X |

used for: D-SUB Filter



NOTES:

- METALSHELLS: STEEL; min. 320 μ " TIN
- INSULATORS: PBT GF UL 94 V-0, BLACK
- CONTACTS: COPPER ALLOY
PLATING: 30 μ " HARD GOLD OVER min. 50 μ " NICKEL
- METAL BRACKET: STEEL; min. 320 μ " TIN over 80 μ " NICKEL
- THREADED INSERT: COPPER ALLOY; min. 200 μ " TIN over 80 μ " NICKEL
- PCB-SNAP: COPPER ALLOY; min. 200 μ " TIN over 80 μ " NICKEL
PCB-HOLE: $\phi 3.1 \pm 0.1$; PCB THICKNESS 1.6mm
- (b) FIXING-PLATE: PBT GF UL 94 V-0, BLACK
- CAPACITANCE: 1300pF $\pm 20\%$
- DIELECTRIC WITHSTANDING VOLTAGE: 1500VDC
- P.C.B. HOLE DRILLINGS ON DRAWING NO.: 16K1111UA
- MAXIMUM TORQUE VALUE FOR THREAD: 6" LBS
- CONNECTOR IS PART MARKED: PART-NO. CONEC ABC
- = CHECK DIMENSION



APPROVAL # FREIGABE # DEBLOCAGE # AUTORIZACION # APPROVAL

CUSTOMER APPROVAL DATE:

NAME: TITLE:

COMPANY NAME:

APPROVAL # FREIGABE # DEBLOCAGE # AUTORIZACION # APPROVAL

THIS DRAWING MAY NOT BE COPIED OR REPRODUCED IN ANY WAY, AND MAY NOT BE PASSED ON TO A THIRD PARTY WITHOUT WRITTEN PERMISSION. OWNERSHIP AND COPYRIGHT OF CONEC GmbH DO NOT ALTER CAD DRAWING BY HAND

| tolerance | | dim. in mm | |
|-----------|-------------|--------------|--------|
| 2000 | date | name | |
| drawn | 21.11. | Parei | |
| appd. | 21.11. | Mickenbecker | |
| norm | DIN 41652 | | |
| d-old | | | |
| S x b | Ä 2355 | 17.10.2005 | Lehmen |
| rev. | description | date | name |



scale: 2:1
material: SEE NOTES

title: **D-SUB Filter Female 90°**
9 - 37 pos. Solder pin angled 370°
metal bracket, threaded insert, fixing-plate, clip

dwg no: AutoCAD 2000 DIN-A
24K1A073A
3
sh: 1/1

part no: SEE TABLE

X-ON Electronics

Largest Supplier of Electrical and Electronic Components

Click to view similar products for [D-Sub Tools & Hardware](#) category:

Click to view products by [CONEC](#) manufacturer:

Other Similar products are found below :

[000-01-09-132](#) [000-01-21-132](#) [000-01-31-162](#) [572019-00105-70](#) [000-01-37-162](#) [621-250-113-115](#) [D110550-2](#) [D20418-137](#) [780-518-50SG6-WS](#) [86552009](#) [86553115TLF](#) [86553117TLF](#) [1230032-1](#) [1-5021101-2](#) [1589283-4](#) [160-000-005R031](#) [16-000230](#) [160-025-004R031](#) [160-000-137R000](#) [160-020-209R000](#) [164C03939A](#) [177-505-A-2-2](#) [1-966830-8](#) [21018-6](#) [21028-2](#) [2-1393560-9](#) [JS-1000](#) [L17D204182M3E](#) [L17D53018](#) [300X10779X](#) [160X10189X](#) [160X10419X](#) [160X10959X](#) [162-000-050R000](#) [21018-5](#) [212561-3](#) [248C21550X](#) [CF15P](#) [QLOCKPOST-2](#) [D110277](#) [500-008NF1K-01](#) [500-008NF3R3KS-01](#) [500-017M09FN](#) [500-017M15MHN](#) [500-024M1](#) [500-068M3](#) [5-1393561-5](#) [C115373-0001](#) [C115373-0002](#) [3342-4-KIT](#)