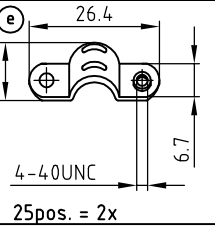
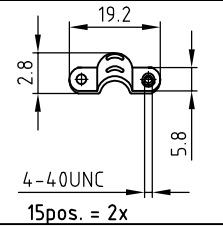
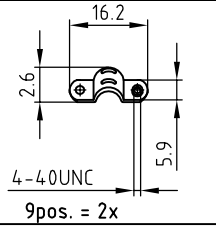
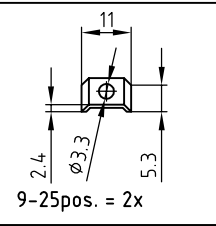
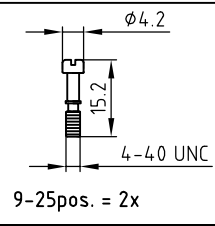
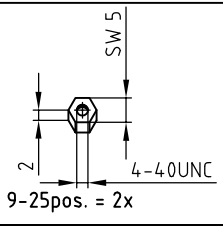
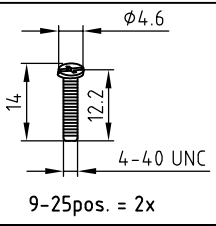
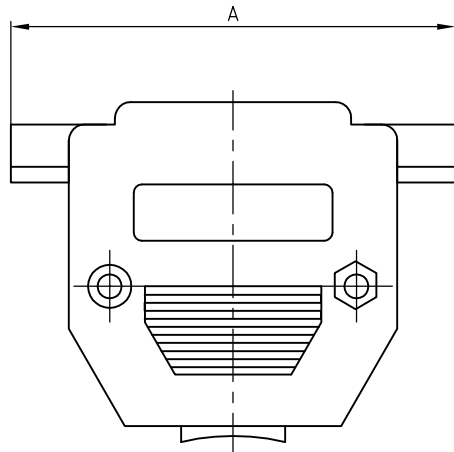
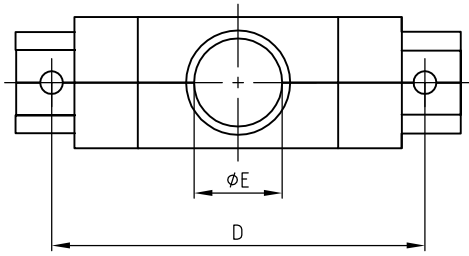


used for: D-SUB



POS.	A	B	C	D	E	Colour	Part-No.
9	30.5	16	41	25	7	grey	300X10169X
						metallized	300X10109X
15	40	16.2	37.4	33.3	9.9	grey	300X10179X
						metallized	300X10119X
25	55	16.5	44.5	47	10.7	grey	300X10209X
						metallized	300X10149X

RoHS compliant

THIS DRAWING MAY NOT BE COPIED OR REPRODUCED IN ANY WAY, AND MAY NOT BE PASSED ON TO A THIRD PARTY, WITHOUT WRITTEN PERMISSION. OWNERSHIP AND COPYRIGHT OF CONEC GmbH DO NOT ALTER CAD DRAWING BY HAND

rev.	description	date	name
1 x e	Ä6582	15.03.2017	Lehmen
2 x d	Ä 6248	05.08.2016	Unkr.
1 x c	Ä 2309	07.09.2005	Lehmen
2 x b	Ä 2298	19.08.2005	Lehmen

1995	date	name
drawn	30.60.	Barcinski
appd.	30.06.	Mickenbecker

1995	date	name
norm		
d-old		

tolerance
 .X ±0.30
 .XX ±0.20
 .XXX ±0.10

dim. in mm

scale: 2:1
 material:

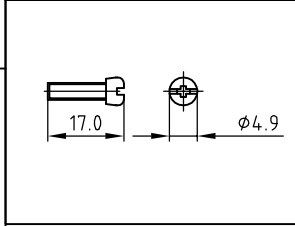
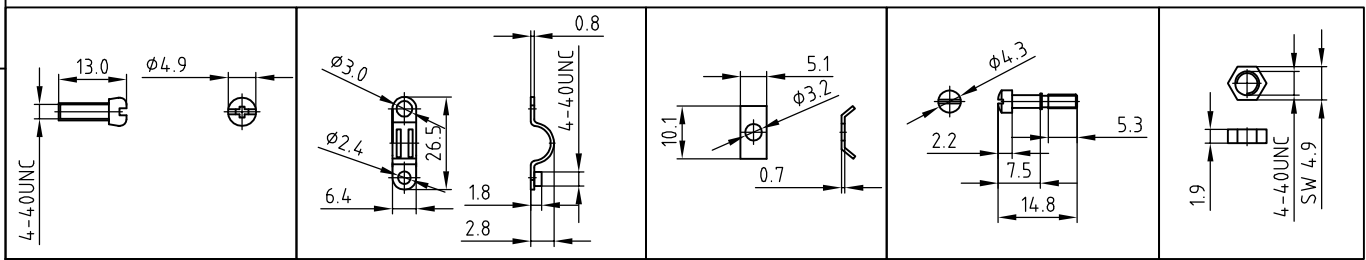
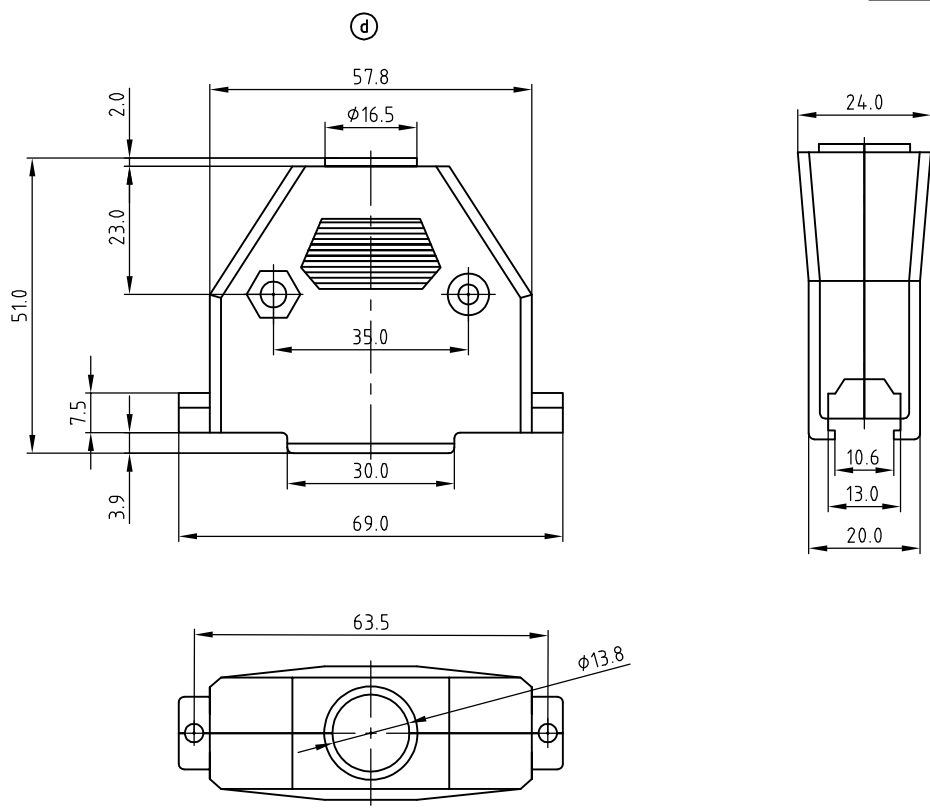
title: TWO-PIECE SHELL HOOD
 9-25pos.
 with short screw

dwg no: DIN-A
 3
 sh:1/4

part no: SEE TABLE



used for: D-SUB



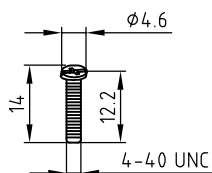
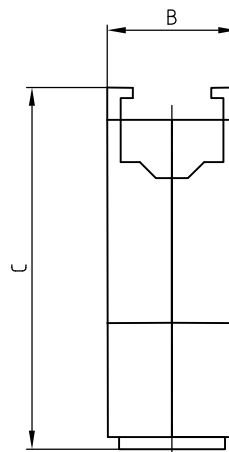
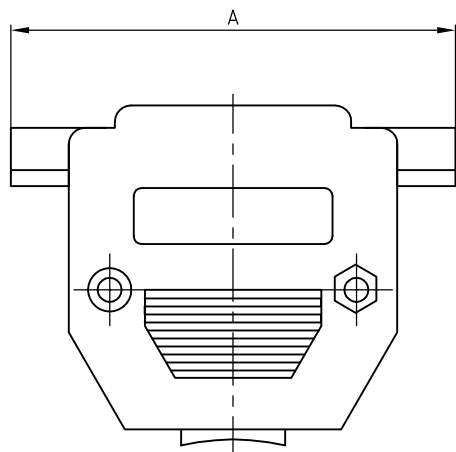
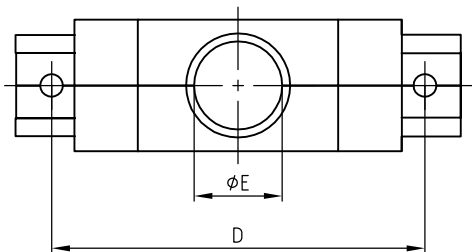
Colour	Part-No.
grey	300X10219X
metallized	300X10159X

THIS DRAWING MAY NOT BE COPIED OR REPRODUCED IN ANY WAY, AND MAY NOT BE PASSED ON TO A THIRD PARTY, WITHOUT WRITTEN PERMISSION. OWNERSHIP AND COPYRIGHT OF CONEC GmbH DO NOT ALTER CAD DRAWING BY HAND	tolerance		dim. in mm		scale: 2:1
			X ±0.30		material:
			.XX ±0.20		title:
			.XXX ±0.10		TWO-PIECE SHELL HOOD
					37pos.
2 x d	Ä 6248	05.08.2016	Unkr.	d-old	with short screw
1 x c	Ä 2309	07.09.2005	Lehmen.		dwg no:
2 x b	Ä 2298	19.08.2005	Lehmen.		16V1103A
rev.	description	date	name		part no: SEE TABLE

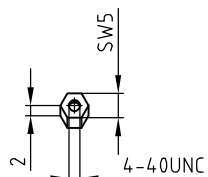
RoHS compliant

DIN-A
3
sh:2/4

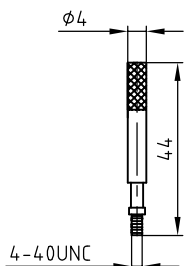
used for: D-SUB



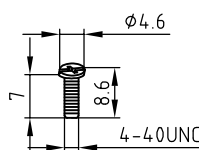
9-25pos. = 2x



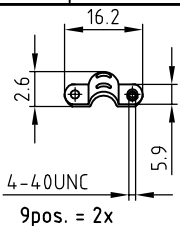
9-25pos. = 2x



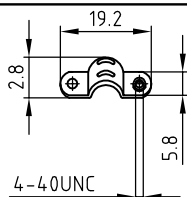
9-25pos. = 2x



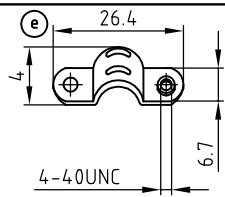
9-25pos. = 2x



9pos. = 2x



15pos. = 2x



25pos. = 2x

POS.	A	B	C	D	E	Colour	Part-No.
9	30.5	16	41	25	7	grey	300X10829X
						metallized	300X10879X
15	40	16.2	37.4	33.3	9.9	grey	300X10839X
						metallized	300X10889X
25	55	16.5	44.5	47	10.7	grey	300X10859X
						metallized	300X10909X

RoHS compliant

THIS DRAWING MAY NOT BE COPIED OR REPRODUCED IN ANY WAY, AND MAY NOT BE PASSED ON TO A THIRD PARTY, WITHOUT WRITTEN PERMISSION. OWNERSHIP AND COPYRIGHT OF CONEC GmbH DO NOT ALTER CAD DRAWING BY HAND

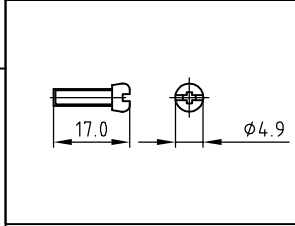
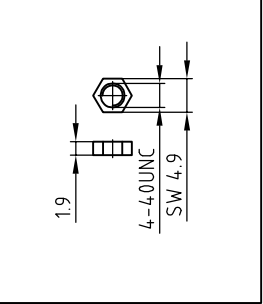
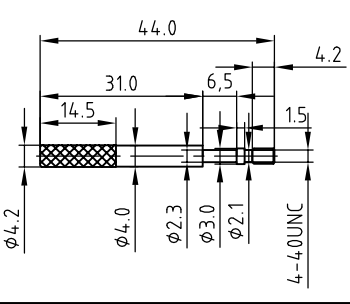
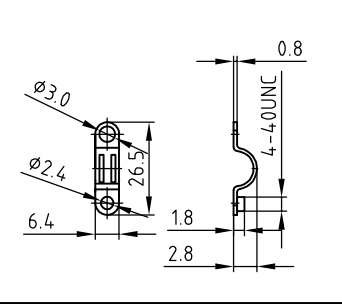
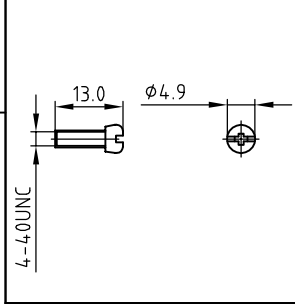
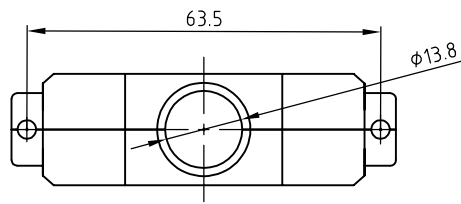
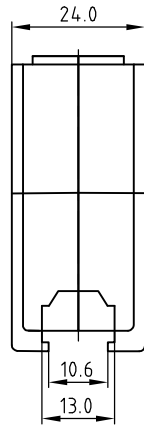
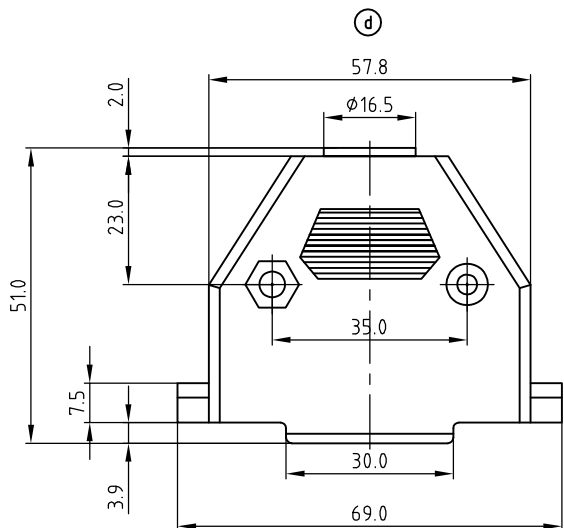
rev.	description	date	name
1 x e	Ä6582	15.03.2017	Lehmen, norm
2 x d	Ä 6248	05.08.2016	Unkr. d-old
1 x c	Ä 2309	07.09.2005	Lehmen,
2 x b	Ä 2298	19.08.2005	Lehmen,

tolerance
 .X ±0.30
 .XX ±0.20
 .XXX ±0.10
 dim. in mm

scale: 2:1
 material:
 title: TWO-PIECE SHELL HOOD
 9-25pos.
 with long screw
 dwg no: DIN-A
 3
 sh:3/4
 part no: SEE TABLE



used for: D-SUB



Colour	Part-No.
grey	300X10869X
metallized	300X10919X

THIS DRAWING MAY NOT BE COPIED OR REPRODUCED IN ANY WAY, AND MAY NOT BE PASSED ON TO A THIRD PARTY, WITHOUT WRITTEN PERMISSION. OWNERSHIP AND COPYRIGHT OF CONEC GmbH DO NOT ALTER CAD DRAWING BY HAND

rev.	description	date	name
2 x d	Ä 6248	05.08.2016	Unkr.
1 x c	Ä 2309	07.09.2005	Lehmen.
2 x b	Ä 2298	19.08.2005	Lehmen.

1995	date	name
drawn	30.60.	Barcinski
appd.	30.06.	Mickenbecker
norm		

tolerance X ±0.30 .XX ±0.20 .XXX ±0.10	dim. in mm	scale: 2:1
material:		title: TWO-PIECE SHELL HOOD 37pos. with long screw
dwg no:		DIN-A 3
part no: SEE TABLE		sh:4/4

RoHS compliant



X-ON Electronics

Largest Supplier of Electrical and Electronic Components

Click to view similar products for [D-Sub Backshells](#) category:

Click to view products by [CONEC](#) manufacturer:

Other Similar products are found below :

[M85049/6-38N](#) [M85049/86-12N03](#) [M85049/90-13P03](#) [70.350.0636.4](#) [70.350.2435.1](#) [72.350.1035.2](#) [72.352.2435.1](#) [73.359.4035.3](#) [829472-1](#)
[PCS-E20W](#) [970-015-040R011](#) [970-025-040R011](#) [971-009-030R121](#) [971-009-040R011](#) [971-015-040R011](#) [1437013-9](#) [1484402-8](#) [156-3025-](#)
[EX](#) [16-500800](#) [165X02659X](#) [165X03329A](#) [165X03399A](#) [165X10259X](#) [165X11759X](#) [165X11889X](#) [165X13019X](#) [165X13029X](#)
[165X13169X](#) [165X13199X](#) [165X13239X](#) [165X13389X](#) [165X13489X](#) [165X14219X](#) [165X14449X](#) [165X17409X](#) [165X17439X](#)
[165X17569X](#) [165X17599X](#) [165X17609X](#) [165X17889X](#) [165X17979X](#) [L171373](#) [971-025-030R121](#) [300X10989X](#) [165X02609X](#)
[165X02689X](#) [165X04219A](#) [165X10469X](#) [165X11279X](#) [165X11789X](#)