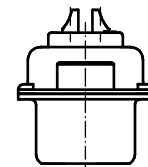
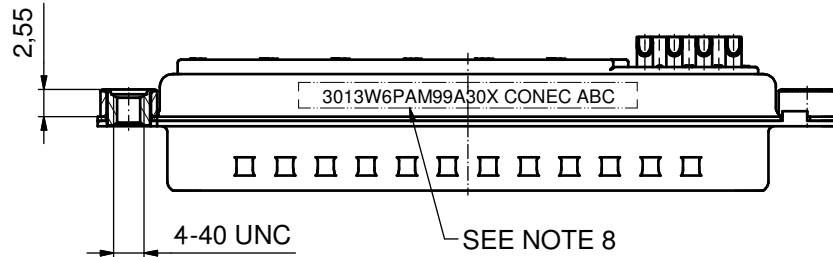
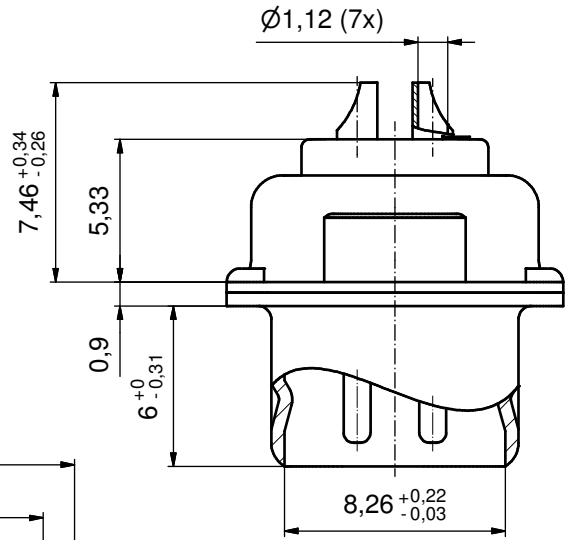
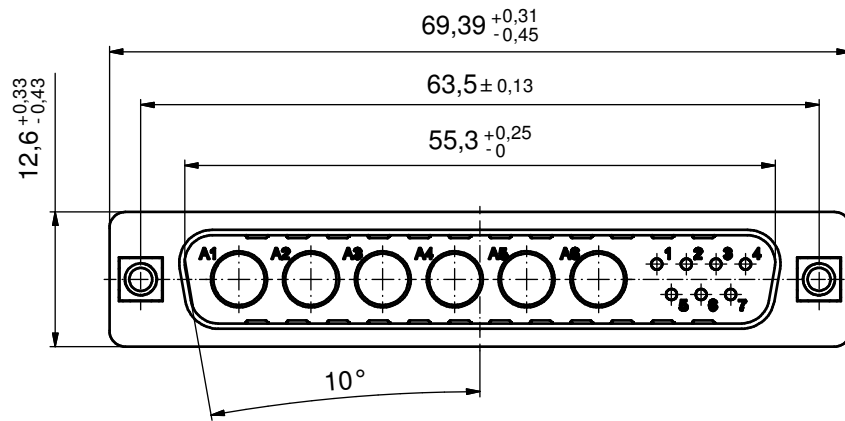
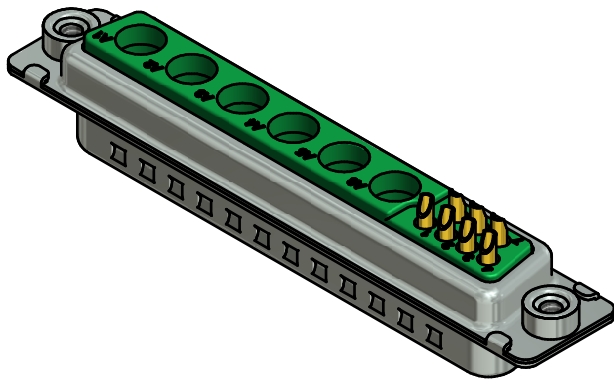


(5:1)



NOTES:

- 1. METALSHELLS: STEEL; min. 315µm TIN over 40-80µm NICKEL
- 2. INSULATORS: PBT GF UL 94 V-0, GREEN
- 3. SIGNAL CONTACTS: COPPER ALLOY
PLATING: GOLD FLASH over NICKEL
SOLDER CUP ACCEPTS CABLE AWG 20
- 4. NO CONTACTS ON POS. A1-A6
- 5. THREADED INSERTS:
COPPER ALLOY; min. 200µm TIN over 80µm NICKEL
- 6. COLLARS: COPPY ALLOY; min. 200µm TIN over 80µm NICKEL
- 7. MAXIMUM TORQUE VALUE FOR THREAD: 6 in.LB
- 8. CONNECTOR IS PART MARKED: 3013W6PAM99A30X CONEC ABC

RoHS compliant

| | | | | | | | | |
|--|-------------|------|------------|----------------|--------------|--------------------------|---|-----------------|
| THIS DRAWING MAY NOT BE COPIED OR REPRODUCED IN ANY WAY, AND MAY NOT BE PASSED ON TO A THIRD PARTY WITHOUT WRITTEN PERMISSION. OWNERSHIP AND COPYRIGHT OF CONEC GmbH DO NOT ALTER CAD DRAWING BY HAND | | | | tolerance | | scale: 2:1 (5:1) | | |
| | | | | dim. in mm | | material: SEE NOTES | | |
| | | | | date | name | | title: D-SUB COMBINATION MALE 13W6P SOLDER CUP with threaded insert | |
| | | | | drawn 27.06.16 | Henneboel | | | |
| | | | | appd. 27.06.16 | Lehmenkühler | | | |
| | | | | norm | d-old | | dwg no: | |
| | | | a Original | CONEC ® | | 13K1A5234 | | |
| rev. | description | date | name | | | part no: 3013W6PAM99A30X | | DIN-A3 sh: 1 |

X-ON Electronics

Largest Supplier of Electrical and Electronic Components

Click to view similar products for [D-Sub Mixed Contact Connectors](#) category:

Click to view products by [CONEC](#) manufacturer:

Other Similar products are found below :

[790-025SF-5P5NMN](#) [790-025SJ-7P7NML](#) [DAM-7W2PC](#) [L717TWB5W5P3R](#) [L717TWB5W5PRM84](#) [L717TWP3W3P](#)
[3003W3PXX56N40X](#) [3005W5PXX99E40X](#) [3005W5SXX99A30X](#) [3005W5SXX99E40X](#) [3013W6SCM99A10X](#) [3036W4PCM41A10X](#)
[3036W4SCM99A10X](#) [FCE17-E2W2SS-2N0](#) [212522-7](#) [PII-468-1](#) [3003W3PXX43A10X](#) [3003W3SXX56N40X](#) [3005W5PXX88N40X](#)
[3008W8SXX57A30X](#) [3009W4PCT57P20X](#) [3017W2SAR69C40X](#) [3024W7SCM99A10X](#) [302W2CPXX56N40X](#) [321WA4PXK99A60X](#)
[321WA4SCT56N40X](#) [3F3SSC22S41A30X](#) [L717TWA7W2PP2SY3R](#) [DBM-17W2S-1A8N-A190-A197-1](#) [421WA4PCR50E20X](#)
[09693009176](#) [09693909015](#) [6017W2PCM41B30X](#) [790-061SH-36W2NMNA](#) [790-044SE-7P3MNPB](#) [790-043PE-11P2MPA](#) [790-043PB-](#)
[2P2MPB](#) [790-029SB-2P2MEPA](#) [790-028PK-9P9MPA](#) [790-028PH-54P2MGA](#) [790-028PH-36P2MNA](#) [790-028PB-2P2MPA](#) [790-027SH-](#)
[5W5MTEP](#) [790-026PH-54P2ZNUG](#) [790-026PH-54P2MP](#) [790-026PH-36P2ZNUG](#) [790-026PH-36P2MG](#) [790-026PD-3P3MP](#) [790-025SJ-](#)
[7P7EMS](#) [790-025SH-36W2NMT](#)