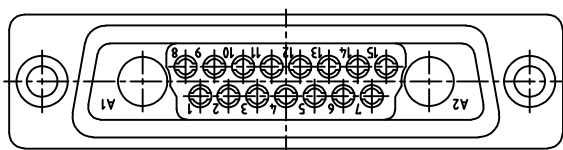
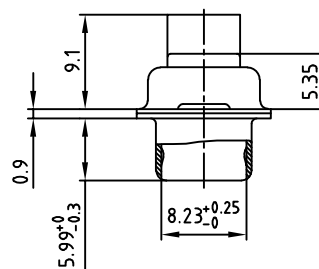
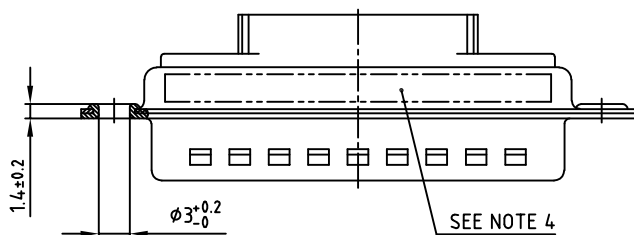
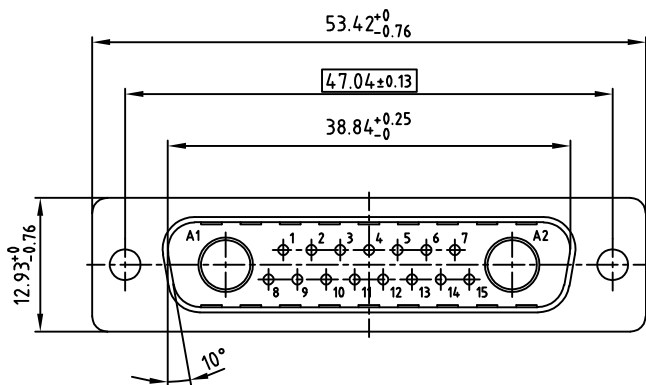


used for: D-SUB COMBINATION CRIMP



NOTES:

1. METAL SHELLS: STEEL; TIN PLATED
2. INSULATORS: PBT GF UL 94 V-0; BLACK
3. = CRITICAL DIMENSION: SPC
4. CONNECTOR IS PART MARKED: PART NO. CONEC ABC

THIS DRAWING MAY NOT BE COPIED OR REPRODUCED IN ANY WAY, AND MAY NOT BE PASSED ON TO A THIRD PARTY, WITHOUT WRITTEN PERMISSION. OWNERSHIP AND COPYRIGHT OF CONEC GMBH DO NOT ALTER CAD DRAWING BY HAND

RoHS compliant

| rev. | description | date | name |
|------|-------------|------|------|
| | | | |
| | | | |
| | | | |
| | | | |
| | | | |

| | | |
|---------------------------|-----------|--------------|
| tolerance | | |
| 1999 | date | |
| drawn | 06.05. | Barcinski |
| appd. | 06.05. | Mickenbecker |
| norm | DIN 41652 | |
| d-old | | |
| CONEC [®] | | |

| | | |
|-----------|------------------------------------------|---------|
| scale: | 2:1 | |
| material: | SEE NOTES | |
| title: | D-SUB COMBINATION MALE CRIMP STYLE 17W2P | |
| dwg no: | AutoCAD/REL.14 | DIN-A |
| | 13K11P7A | 3 |
| part no: | 3017W2P XK99A10X | |
| | | sh: 1/1 |

X-ON Electronics

Largest Supplier of Electrical and Electronic Components

Click to view similar products for [D-Sub Mixed Contact Connectors](#) category:

Click to view products by [CONEC](#) manufacturer:

Other Similar products are found below :

[790-025SF-5P5NMN](#) [790-025SJ-7P7NML](#) [DAM-7W2PC](#) [L717TWB5W5P3R](#) [L717TWB5W5PRM84](#) [L717TWP3W3P](#)
[3003W3PXX56N40X](#) [3005W5PXX99E40X](#) [3005W5SXX99A30X](#) [3005W5SXX99E40X](#) [3013W6SCM99A10X](#) [3036W4PCM41A10X](#)
[3036W4SCM99A10X](#) [FCE17-E2W2SS-2N0](#) [212522-7](#) [PII-468-1](#) [3003W3PXX43A10X](#) [3003W3SXX56N40X](#) [3005W5PXX88N40X](#)
[3008W8SXX57A30X](#) [3009W4PCT57P20X](#) [3017W2SAR69C40X](#) [3024W7SCM99A10X](#) [302W2CPXX56N40X](#) [321WA4PXK99A60X](#)
[321WA4SCT56N40X](#) [3F3SSC22S41A30X](#) [L717TWA7W2PP2SY3R](#) [DBM-17W2S-1A8N-A190-A197-1](#) [421WA4PCR50E20X](#)
[09693009176](#) [09693909015](#) [6017W2PCM41B30X](#) [790-061SH-36W2NMNA](#) [790-044SE-7P3MNPB](#) [790-043PE-11P2MPA](#) [790-043PB-](#)
[2P2MPB](#) [790-029SB-2P2MEPA](#) [790-028PK-9P9MPA](#) [790-028PH-54P2MGA](#) [790-028PH-36P2MNA](#) [790-028PB-2P2MPA](#) [790-027SH-](#)
[5W5MTEP](#) [790-026PH-54P2ZNUG](#) [790-026PH-54P2MP](#) [790-026PH-36P2ZNUG](#) [790-026PH-36P2MG](#) [790-026PD-3P3MP](#) [790-025SJ-](#)
[7P7EMS](#) [790-025SH-36W2NMT](#)