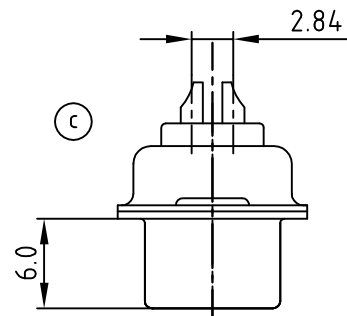
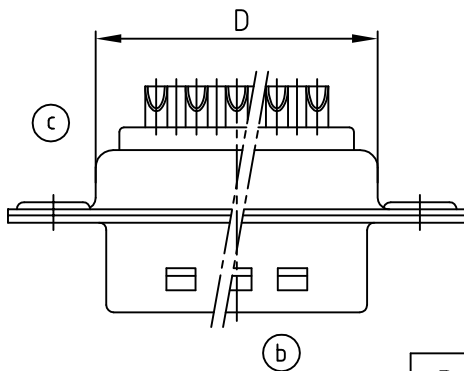
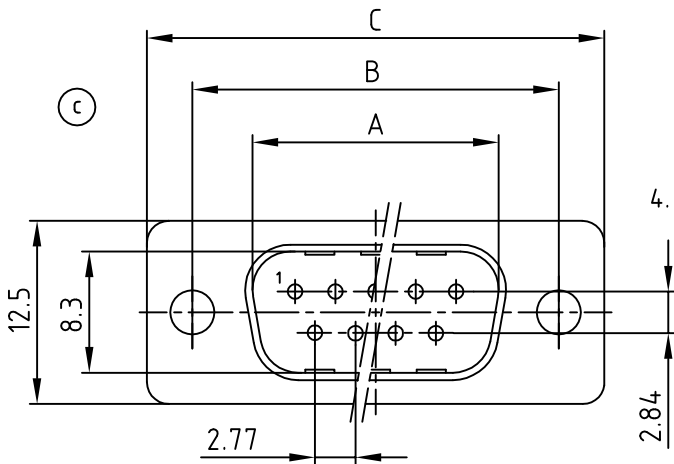


used for: D-SUB

Ⓒ SPECIFICATION:

1. MATERIAL:
  - INSULATOR: THERMAL PLASTIC UL 94 V-0
  - CONTACTS: COPPER ALLOY
  - SHELL: STEEL
  - RIVET; BOARDLOCK: COPPER ALLOY
2. CONTACT PLATING:
  - UNDERPLATE: 50µ" NICKEL
  - CONTACT AREA: GOLD FLASH
  - SOLDER TAILS AREA: GOLD FLASH
3. ELECTRICAL:
  - OPERATION VOLTAGE: 250 VAC max.
  - CURRENT RATING: 3 A max.
  - CONTACT RESISTANCE: 15 OHM max.
  - INSULATION RESISTANCE: 3000 OHM min. @ 500 VDC
  - DIELECTRIC WITHSTANDING VOLTAGE: 1000 VAC / MINUTE
  - OPERATING TEMPERATURE: -55°C TO +105°C
4. CONNECTOR IS PART MARKED: PART-NO. CONEC ABC



Part NO.	No. of Pos.	A	B	C	D
301A10019X	9	16.92	25.00	30.8	19.2
301A10029X	15	25.25	33.30	39.2	27.7
301A10059X	25	38.96	47.10	53.1	41.1
301A10069X	37	55.42	63.50	69.4	57.3

Directive 2002/95/EC  
RoHS  
Compliant

THIS DRAWING MAY NOT BE COPIED OR REPRODUCED IN ANY WAY, AND MAY NOT BE PASSED ON TO A THIRD PARTY WITHOUT WRITTEN PERMISSION. OWNERSHIP AND COPYRIGHT OF CONEC GmbH DO NOT ALTER CAD DRAWING BY HAND

rev.	description	date	name
6 x c	Ä3825	29.11.2010	K.H.
1 x b	Ä3486	09.11.09	Sonne
a	Origin		

tolerance  
 Ⓒ ANG. ±5°  
 0. ±0.5  
 .0 ±0.3  
 .00 ±0.2

2001	date	name
drawn	25.09.	Parei
appd.	25.09.	E. Mickenbecker
norm	DIN 41652	
d-old		



scale:	2:1	
material:	SEE NOTES	
title:	D-SUB MALE SOLDER CUP 9-37pos. with stamped contacts	
dwg no:	AutoCAD 2000	DIN-A
	16K1A306A	4
part no:	SEE TABLE	
		sh:1/2

## X-ON Electronics

Largest Supplier of Electrical and Electronic Components

*Click to view similar products for [D-Sub Standard Connectors](#) category:*

*Click to view products by [CONEC](#) manufacturer:*

Other Similar products are found below :

[56F711-015](#) [012-9507-004](#) [LV242999-142T12](#) [015-0341-000](#) [015-0349-000](#) [015-0372-005](#) [015-0372-008](#) [015-8755-001](#) [020419-0104](#) [012-0467-000](#) [012-0515-000](#) [012-9507-034](#) [012-9507-114](#) [020745-0008](#) [609-25P](#) [M24308/2-23Z](#) [M24308315F](#) [CT2-14S-2PCA34](#) [CT2-18-11PCAU](#) [CT2-36-15SC](#) [CT6-14S-2SC](#) [CT6E14SA7SC](#) [CT6E22-14PC](#) [CT6E22-14PS](#) [CT6E22-22PS](#) [M83513/01-FC](#) [M85049/48-3-2F](#) [6STD09PCM99B70X](#) [6STD09SCM99B30X](#) [6STD09SCT99S40X](#) [6STD15PCT99S40X](#) [6STD15SCM99B30X](#) [6STD15SCT99S40X](#) [6STF09PCM05B70X](#) [7-135760-9](#) [MC11E-10-6SN](#) [747552-3](#) [MD1-21PS](#) [MDM-15SCBRM7-F222](#) [MDM96517-699](#) [MDM96521-744](#) [MDVB1-21SL1](#) [MIK0-1-7SH003](#) [MIKQ6-7SH076](#) [MIKQ7-7PH077](#) [MIKQ7-7PH11](#) [MIKQ7-7PH32](#) [MIKQ9-7PH003](#) [MJSV-28SL61](#) [MKJ4A1F14-55S](#)