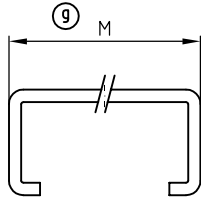
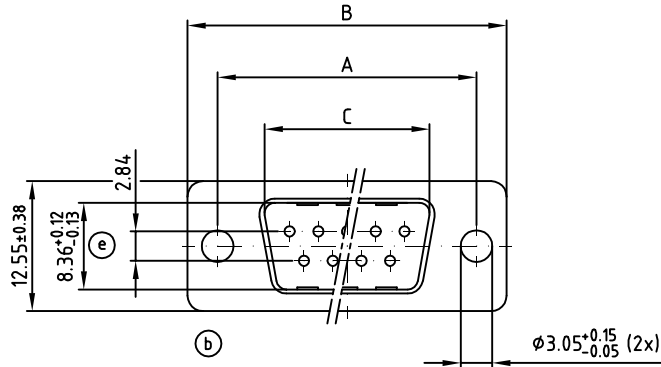


used for: D-SUB IDC CONNECTOR

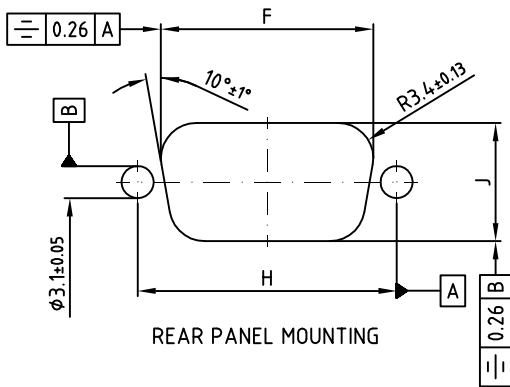
| POS. | A ± 0.13 -0.12 | B ± 0.25 | C ± 0.12 -0.13 | D ± 0.25 | E | F ± 0.13 | G ± 0.13 | H ± 0.13 | J ± 0.13 | K ± 0.13 | L ± 0.25 | M ± 0.25 | Part NO. |
|------|-------------------------|--------------|-------------------------|--------------|----------------------------|--------------|--------------|--------------|--------------|--------------|--------------|--------------|------------|
| 9 | 24.99 | 30.80 | 16.92 | 16.10 | 5.90 ± 0.15 -0.08 | 20.5 | 22.2 | 25.00 | 11.4 | 13.0 | 19.15 | 16.10 | 301A10089X |
| 15 | 33.32 | 39.10 | 25.25 | 24.00 | 5.90 ± 0.15 -0.08 | 28.8 | 30.5 | 33.30 | 11.4 | 13.0 | 27.15 | 24.00 | 301A10099X |
| 25 | 47.04 | 53.09 | 38.97 | 38.14 | 5.90 ± 0.09 -0.14 | 42.5 | 44.3 | 47.04 | 11.4 | 13.0 | 41.45 | 38.14 | 301A10109X |
| 37 | 63.50 | 69.40 | 55.43 | 54.60 | 5.90 ± 0.09 -0.14 | 59.1 | 60.7 | 63.50 | 11.4 | 13.0 | 57.65 | 54.60 | 301A10119X |



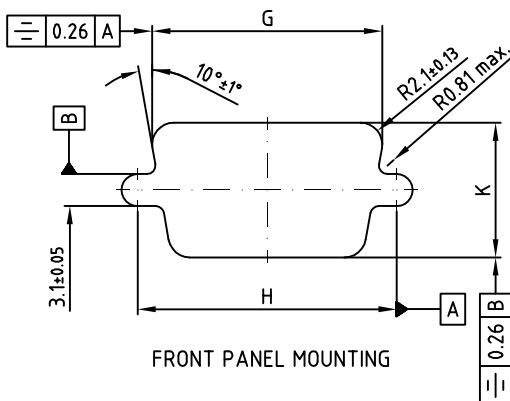
STRAIN RELIEF



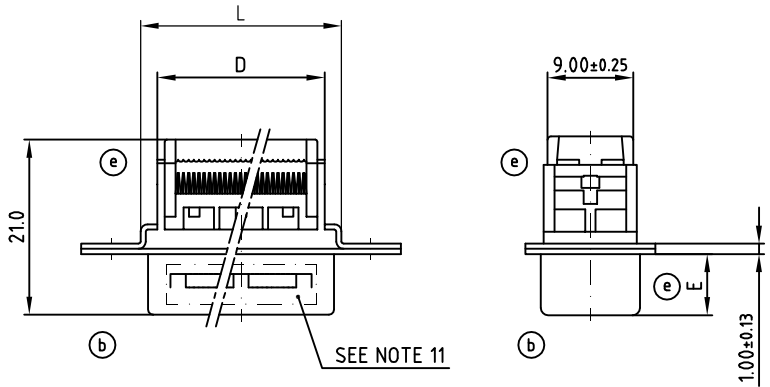
RECOMMENDED PANEL CUT-OUT



REAR PANEL MOUNTING



FRONT PANEL MOUNTING



SPECIFICATION :

- CURRENT RATING : 1 A
- INSULATION RESISTANCE : >1000 M OHM min. (AT 500 V DC)
- DIELECTRIC WITHSTANDING VOLTAGE : AC 500 V min. (FOR 1 MINUTE)
- OPERATING TEMPERATURE : -25°C to 85°C
- CONTACT RESISTANCE : 15m OHM max.
- DIELECTRIC MATERIAL : PBT & GLASS-FIBER REINFORCED UL 94V-0
- SHELL MATERIAL : SPCC, NICKEL PLATED
- CONTACT MATERIAL : BRASS
- CONTACT PLATING : SELECTIVE GOLD over NICKEL
- WIRE SIZE : AWG 26 & 28 STRANDED, 1.27mm CONDUCTOR CENTRE FLAT CABLE
- CONNECTOR IS PART MARKED: PART-NO. CONEC ABC

RoHS compliant

APPROVAL # FREIGABE # DEBLOCAGE # AUTORIZACION # APPROVAL

CUSTOMER APPROVAL DATE:

NAME: TITLE:

COMPANY NAME:

APPROVAL # FREIGABE # DEBLOCAGE # AUTORIZACION # APPROVAL

THIS DRAWING MAY NOT BE COPIED OR REPRODUCED IN ANY WAY, AND MAY NOT BE PASSED ON TO A THIRD PARTY, WITHOUT WRITTEN PERMISSION. OWNERSHIP AND COPYRIGHT OF CONEC Gmbh DO NOT ALTER CAD DRAWING BY HAND

| 2 x g | Ä6247 | 27.07.2016 | K.H. | 2002 | date | name |
|-------|-------------|------------|--------|-------|--------|-----------------|
| 2 x f | Ä6008 | 03.06.2014 | Lehmen | drawn | 07.05. | Parei |
| 6 x e | Ä4972 | 28.10.2013 | Lehmen | appd. | 07.05. | E. Mickenbecker |
| 1 x d | Ä 2571 | 07.09.2006 | Lehmen | norm | | |
| 2 x c | Ä 2568 | 30.08.2006 | Lehmen | d-old | | |
| 3 x b | Ä 2561 | 24.08.2006 | Lehmen | | | |
| a | Original | | | | | |
| rev. | description | date | name | | | |
| | | | | | | |

tolerance: UNLESS OTHERWISE SPECIFIED TOLERANCE .00 ±0.25 dim. in mm

scale: 2:1

material: SEE SPECIFICATION

title: D-SUB MALE I.D.C. TYPE 9-37pos. for flat cable

dwg no: AutoCAD DIN-A 3 sh:1/1

part no: SEE TABLE

X-ON Electronics

Largest Supplier of Electrical and Electronic Components

Click to view similar products for [D-Sub Standard Connectors](#) category:

Click to view products by [CONEC](#) manufacturer:

Other Similar products are found below :

[56F711-015](#) [012-9507-004](#) [LV242999-142T12](#) [015-0341-000](#) [015-0349-000](#) [015-0372-005](#) [015-0372-008](#) [015-8755-001](#) [020419-0104](#) [012-0467-000](#) [012-0515-000](#) [012-9507-034](#) [012-9507-114](#) [020745-0008](#) [609-25P](#) [M24308/2-23Z](#) [M24308315F](#) [CT2-14S-2PCA34](#) [CT2-18-11PCAU](#) [CT2-36-15SC](#) [CT6-14S-2SC](#) [CT6E14SA7SC](#) [CT6E22-14PC](#) [CT6E22-14PS](#) [CT6E22-22PS](#) [M83513/01-FC](#) [M85049/48-3-2F](#) [6STD09PCM99B70X](#) [6STD09SCM99B30X](#) [6STD09SCT99S40X](#) [6STD15PCT99S40X](#) [6STD15SCM99B30X](#) [6STD15SCT99S40X](#) [6STF09PCM05B70X](#) [7-135760-9](#) [MC11E-10-6SN](#) [747552-3](#) [MD1-21PS](#) [MDM-15SCBRM7-F222](#) [MDM96517-699](#) [MDM96521-744](#) [MDVB1-21SL1](#) [MIK0-1-7SH003](#) [MIKQ6-7SH076](#) [MIKQ7-7PH077](#) [MIKQ7-7PH11](#) [MIKQ7-7PH32](#) [MIKQ9-7PH003](#) [MJSV-28SL61](#) [MKJ4A1F14-55S](#)