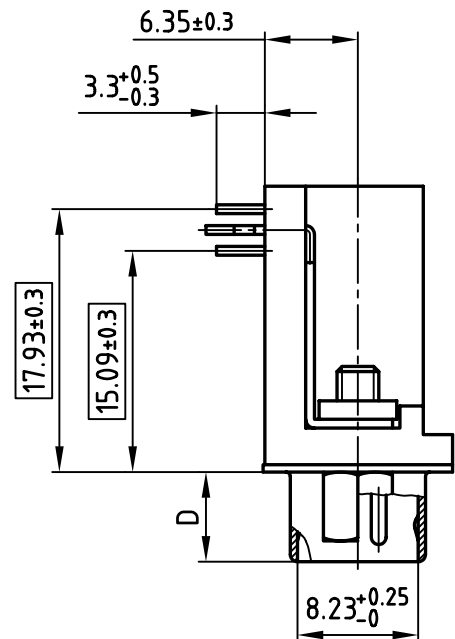
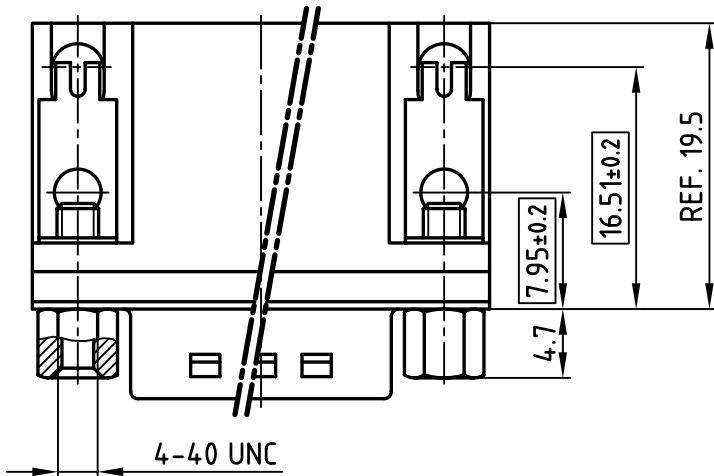
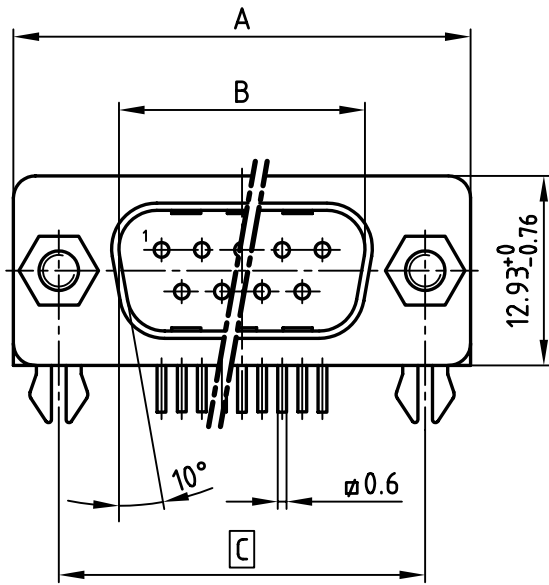


used for: D-SUB

NOTES:

1. METALSHELLS: STEEL; TIN PLATED
2. INSULATORS: PA UL 94 V-0; BLACK
3. PLATING: min. 8µ" HARD GOLD OVER
min. 50µ" NICKEL
4. PCB-SNAP: COPPER ALLOY; TIN PLATED
PCB-HOLE: $\varnothing 3.1 \pm 0.1$; PCB THICKNESS 1.6mm
5. PCB-BOARD DRILLINGS ON DRAWING No.16K11IU A
6. = CRITICAL DIMENSION: SPC



POS.	A -0.76	B $+0.25$	C	D -0.3	PART-NO.
9	31.19	16.79	25.00 $+0.12/-0.13$	6.12	301A10979X
15	39.52	25.12	33.30 $+0.15/-0.1$	6.12	301A10989X
25	53.42	38.84	47.04 ± 0.13	5.99	301A10999X
37	69.70	55.30	63.50 ± 0.13	5.99	301A11009X

THIS DRAWING MAY NOT BE COPIED OR REPRODUCED IN ANY WAY, AND MAY NOT BE PASSED ON TO A THIRD PARTY WITHOUT WRITTEN PERMISSION.
 OWNERSHIP AND COPYRIGHT OF CONEC GmbH
DO NOT ALTER CAD DRAWING BY HAND

tolerance				scale: 2:1
				material: SEE NOTES
1999	date	name		title: D-SUB MALE 90° 0.590inch 9-37pos. with threaded insert, Hex bolts and clip
drawn	29.09.	Barcinski		
appd.	29.09.	Mickenbecker		
norm	DIN 41652			
d-old				dwg no: CAD/ REL.14
		CONEC®		DIN-A 4
rev.	description	date	name	sh: 1/1
				product no: SEE TABLE



X-ON Electronics

Largest Supplier of Electrical and Electronic Components

Click to view similar products for [D-Sub Standard Connectors](#) category:

Click to view products by [CONEC](#) manufacturer:

Other Similar products are found below :

[56F711-015](#) [012-9507-004](#) [LV242999-142T12](#) [015-0341-000](#) [015-0349-000](#) [015-0372-005](#) [015-0372-008](#) [015-8755-001](#) [020419-0104](#) [012-0467-000](#) [012-0515-000](#) [012-9507-034](#) [012-9507-114](#) [020745-0008](#) [609-25P](#) [M24308/2-23Z](#) [M24308315F](#) [CT2-14S-2PCA34](#) [CT2-18-11PCAU](#) [CT2-36-15SC](#) [CT6-14S-2SC](#) [CT6E14SA7SC](#) [CT6E22-14PC](#) [CT6E22-14PS](#) [CT6E22-22PS](#) [M83513/01-FC](#) [M85049/48-3-2F](#) [6STD09PCM99B70X](#) [6STD09SCM99B30X](#) [6STD09SCT99S40X](#) [6STD15PCT99S40X](#) [6STD15SCM99B30X](#) [6STD15SCT99S40X](#) [6STF09PCM05B70X](#) [7-135760-9](#) [MC11E-10-6SN](#) [747552-3](#) [MD1-21PS](#) [MDM-15SCBRM7-F222](#) [MDM96517-699](#) [MDM96521-744](#) [MDVB1-21SL1](#) [MIK0-1-7SH003](#) [MIKQ6-7SH076](#) [MIKQ7-7PH077](#) [MIKQ7-7PH11](#) [MIKQ7-7PH32](#) [MIKQ9-7PH003](#) [MJSV-28SL61](#) [MKJ4A1F14-55S](#)