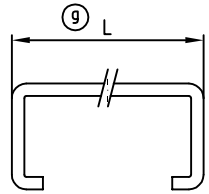
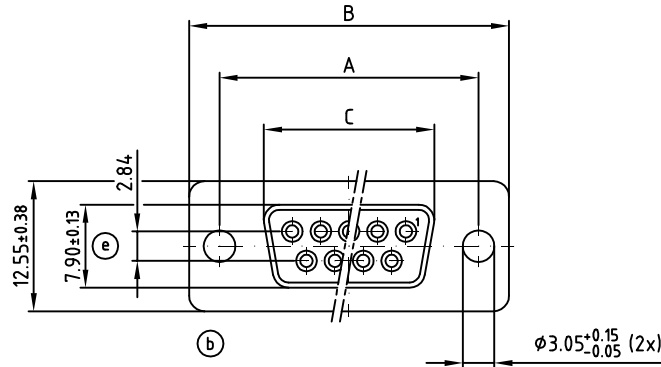


used for: D-SUB IDC CONNECTOR

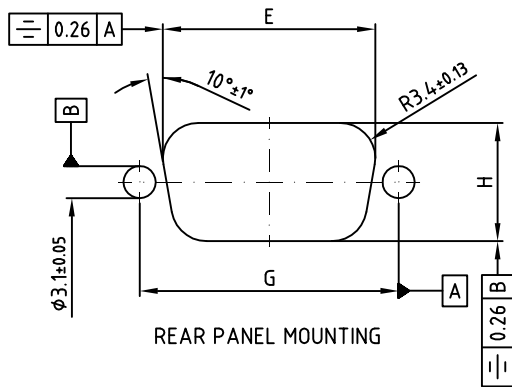
|      | e  |              |  |              | f            |              |              |              | g            |              |              |            |  |
|------|--|--------------|--|--------------|--------------|--------------|--------------|--------------|--------------|--------------|--------------|------------|--|
| POS. | A $\begin{smallmatrix} +0.13 \\ -0.12 \end{smallmatrix}$ | B $\pm 0.25$ | C $\begin{smallmatrix} +0.12 \\ -0.13 \end{smallmatrix}$ | D $\pm 0.25$ | E $\pm 0.13$ | F $\pm 0.13$ | G $\pm 0.13$ | H $\pm 0.13$ | J $\pm 0.13$ | K $\pm 0.25$ | L $\pm 0.25$ | Part NO.   |  |
| 9    | 24.99  | 30.80        | 16.34  | 16.10        | 20.5         | 22.2         | 25.00        | 11.4         | 13.0         | 19.15        | 16.10        | 302A10089X |  |
| 15   | 33.32  | 39.10        | 24.67  | 24.00        | 28.8         | 30.5         | 33.30        | 11.4         | 13.0         | 27.15        | 24.00        | 302A10099X |  |
| 25   | 47.04  | 53.09        | 38.39  | 38.14        | 42.5         | 44.3         | 47.04        | 11.4         | 13.0         | 41.45        | 38.14        | 302A10109X |  |
| 37   | 63.50  | 69.40        | 54.85  | 54.60        | 59.1         | 60.7         | 63.50        | 11.4         | 13.0         | 57.65        | 54.60        | 302A10119X |  |



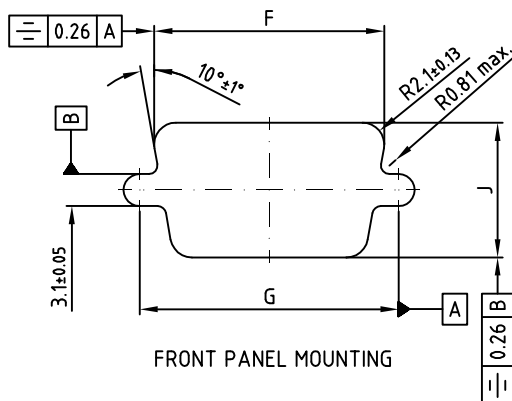
METAL STRAIN RELIEF



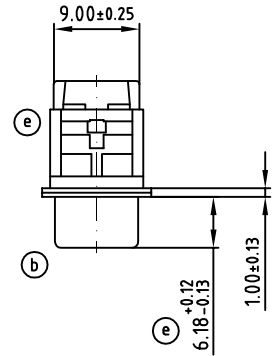
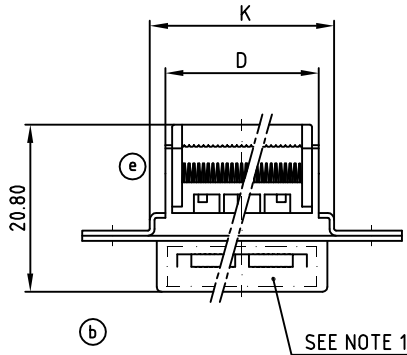
RECOMMENDED PANEL CUT-OUT



REAR PANEL MOUNTING



FRONT PANEL MOUNTING



SPECIFICATION :

- CURRENT RATING : 1 A
- INSULATION RESISTANCE : >1000 M OHM min. (AT 500 V DC)
- DIELECTRIC WITHSTANDING VOLTAGE : AC 500 V min. (FOR 1 MINUTE)
- OPERATING TEMPERATURE : -25°C to 85°C
- CONTACT RESISTANCE : 15m OHM max.
- DIELECTRIC MATERIAL : PBT & GLASS-FIBER REINFORCED UL 94V-0
- SHELL MATERIAL : SPCC, NICKEL PLATED
- CONTACT MATERIAL : PHOSPHOR BRONZE
- CONTACT PLATING : SELECTIVE GOLD over NICKEL
- WIRE SIZE : AWG 26 & 28 STRANDED, 1.27mm CONDUCTOR CENTRE FLAT CABLE
- CONNECTOR IS PART MARKED: 'PART-NO. CONEC ABC'

RoHS compliant

APPROVAL # FREIGABE # DEBLOCAGE # AUTORIZACION # APPROVAL

CUSTOMER APPROVAL DATE:

NAME: TITLE:

COMPANY NAME:

APPROVAL # FREIGABE # DEBLOCAGE # AUTORIZACION # APPROVAL

THIS DRAWING MAY NOT BE COPIED OR REPRODUCED IN ANY WAY, AND MAY NOT BE PASSED ON TO A THIRD PARTY, WITHOUT WRITTEN PERMISSION. OWNERSHIP AND COPYRIGHT OF CONEC GMBH DO NOT ALTER CAD DRAWING BY HAND

| 2 x g | Ä6247       | 27.07.2016 | K.H.   | 2002   | date   | name            |
|-------|-------------|------------|--------|--------|--------|-----------------|
| 2 x f | Ä6008       | 03.06.2014 | Lehmen | drawn  | 07.05. | Parei           |
| 6 x e | Ä4972       | 25.10.2013 | Lehmen | appd.  | 07.05. | E. Mickenbecker |
| 1 x d | Ä 2571      | 07.09.2006 | Lehmen | norm   |        |                 |
| 1 x c | Ä 2568      | 30.08.2006 | Lehmen | d-old  |        |                 |
| 3 x b | Ä 2561      | 24.08.2006 | Lehmen |        |        |                 |
| a     | Origin      |            |        |        |        |                 |
| rev.  | description | date       | name   | CONEC® |        |                 |

tolerance: UNLESS OTHERWISE SPECIFIED TOLERANCE .00 ±0.25 dim. in mm

scale: 2:1

material: SEE SPECIFICATION

title: D-SUB FEMALE I.D.C. TYPE 9-37pos. for flat cable

dwg no: AutoCAD 2006 DIN-A 3 sh:1/1

part no: SEE TABLE

## X-ON Electronics

Largest Supplier of Electrical and Electronic Components

*Click to view similar products for [D-Sub Standard Connectors](#) category:*

*Click to view products by [CONEC](#) manufacturer:*

Other Similar products are found below :

[56F711-015](#) [012-9507-004](#) [LV242999-142T12](#) [015-0341-000](#) [015-0349-000](#) [015-0372-005](#) [015-0372-008](#) [015-8755-001](#) [020419-0104](#) [012-0467-000](#) [012-0515-000](#) [012-9507-034](#) [012-9507-114](#) [020745-0008](#) [609-25P](#) [M24308315F](#) [CT2-14S-2PCA34](#) [CT2-18-11PCAU](#) [CT2-36-15SC](#) [CT6-14S-2SC](#) [CT6E14SA7SC](#) [CT6E22-14PC](#) [CT6E22-14PS](#) [CT6E22-22PS](#) [M83513/01-FC](#) [M85049/48-3-2F](#) [6STD09PCM99B70X](#) [6STD09SCM99B30X](#) [6STD09SCT99S40X](#) [6STD15PCT99S40X](#) [6STD15SCM99B30X](#) [6STD15SCT99S40X](#) [6STF09PCM05B70X](#) [7-135760-9](#) [MC11E-10-6SN](#) [747552-3](#) [MD1-21PS](#) [MDM-15SCBRM7-F222](#) [MDM96517-699](#) [MDM96521-744](#) [MDVB1-21SL1](#) [MIK0-1-7SH003](#) [MIKQ6-7SH076](#) [MIKQ7-7PH077](#) [MIKQ7-7PH11](#) [MIKQ7-7PH32](#) [MIKQ9-7PH003](#) [MJSV-28SL61](#) [MKJ4A1F14-55S](#) [8-135760-3](#)