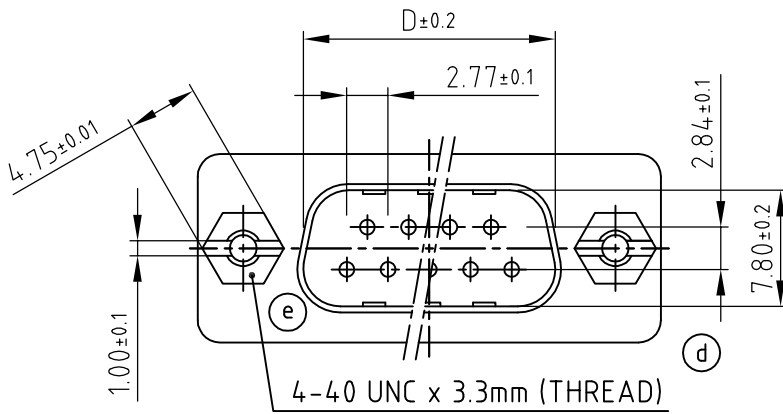
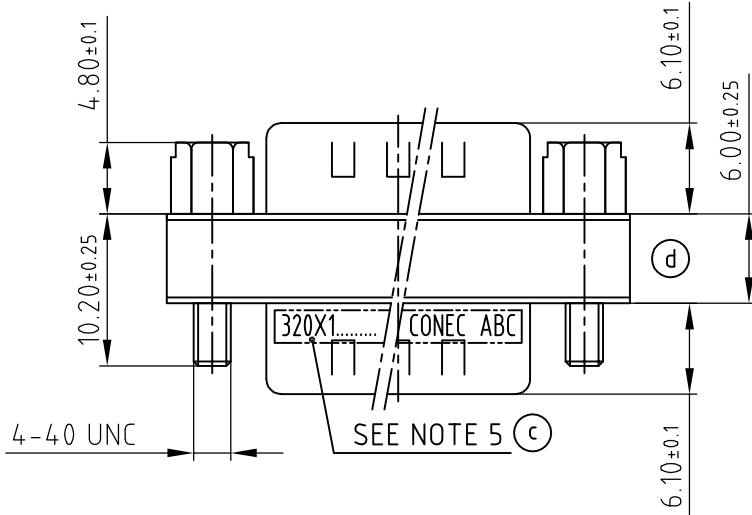


POS.	A ± 0.25	B ± 0.15	C ± 0.2	D ± 0.2	Part NO.
9	31.11	25.00	16.92	16.92	320X12509X
15	39.51	33.28	25.25	25.25	320X12529X
25	53.35	47.04	39.06	39.06	320X10549X
37	69.65	63.50	55.42	55.42	320X12549X



(d) (c)
SPECIFICATION:

1. SHELL: TIN PLATED SHELL
2. INSULATOR: PBT GLASS FIBRE REINFORCED UL 94 V0 (b) (d)
3. CONTACTS: BRASS
4. CONTACT PLATING: GOLD PLATED over NICKEL
5. CONNECTOR IS PART MARKED: PART-NO. CONEC ABC

Directive 2002/95/EC RoHS compliant

THIS DRAWING MAY NOT BE COPIED OR REPRODUCED IN ANY WAY, AND MAY NOT BE PASSED ON TO A THIRD PARTY WITHOUT WRITTEN PERMISSION. OWNERSHIP AND COPYRIGHT OF CONEC GmbH DO NOT ALTER CAD DRAWING BY HAND

rev.	description	date	name	General tolerance	dim. in mm
1 x e	Ä4765	28.05.2013	K.H.	.X ± 0.2 .XX ± 0.15 .XXX ± 0.05	
6 x d	Ä4520	30.10.2012	Lehm.		
2 x c	Ä4459	13.09.2012	Lehm.		
1 x b	Ä2202	07.04.2005	HS		
a	Original				

scale:	2:1	
material:	SEE SPECIFICATION	
title:	GENDER CHANGER 2 x PLUG CONNECTOR 9-37pos.	
dwg no:	16K1A557	DIN-A 3 sh: 1/1
part no:	SEE TABLE	



X-ON Electronics

Largest Supplier of Electrical and Electronic Components

Click to view similar products for D-Sub Adapters & Gender Changers category:

Click to view products by CONEC manufacturer:

Other Similar products are found below :

[243A10120X](#) [243A11070X](#) [243A13290X](#) [243A13460X](#) [300X10729X](#) [300X10759X](#) [GCHDLP26F26F](#) [30-9532P](#) [40-9586FP](#) [500-135](#) [40-9526HDMP](#) [56F715-003](#) [243A11800X](#) [243A10560X](#) [40-9526HDSP](#) [243A11060X](#) [56-745-005](#) [243A10580X](#) [56-725-001](#) [SC485](#) [173114-0088](#) [173114-0099](#) [76000670](#) [76000700](#) [NADB9MF](#) [2902323](#) [2902326](#) [40-9538F](#) [163A50049X](#) [NADB15FF-B](#) [NADB9FF-B](#) [243A10030X](#) [76000671](#) [163A50029X](#) [16-501373](#) [FCC17-A15AD-280](#) [FCC17-E09AD-210](#) [FCE17-A15AD-250](#) [FCE17-B25AD-210](#) [FCE17-B25AD-250](#) [FCE17B25AD290](#) [FCE17-E09AD-210](#) [FCE5709500430](#) [2310387](#) [GCHDLP44M44M](#) [GCLP25M25F](#) [FCC17A15AD2E0](#) [FCC17C37AD280](#) [FCC17-E09AD-280](#) [FCC17E09AD293](#)