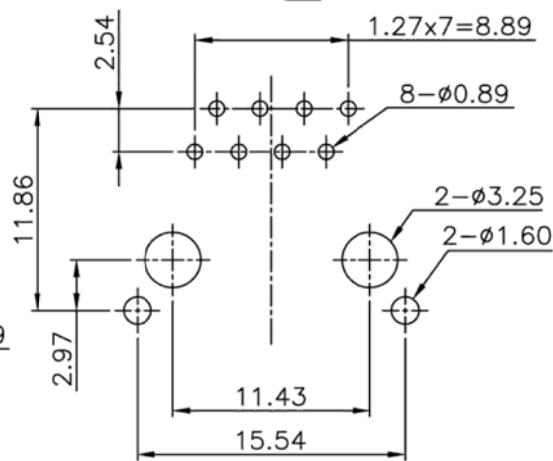
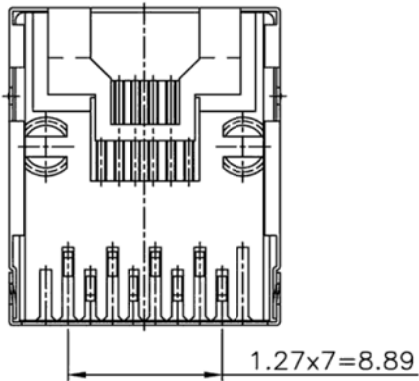
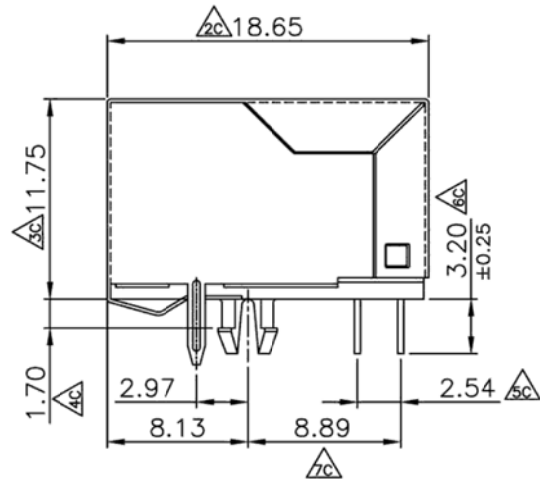
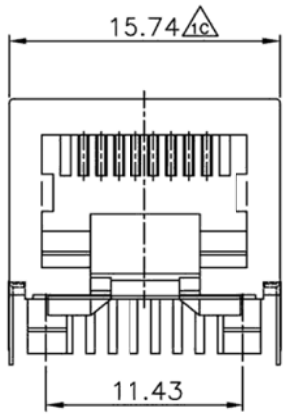


used for:



PCB LAYOUT/TOP VIEW

NOTES:

MATERIAL:
 SHIELDED: 0.2mm THICKNESS COPPER ALLOY WITH NICKEL PLATED.
 HOUSING: PBT+30%GLASS-FIBER UL-94V-0 STANDARD COLOR (BLACK).
 INSERT: PBT+30%GLASS-FIBER UL-94V-0,COLOR BLACK.
 CONTACT: 0.30mm THICKNESS PHOSPHOR BRONZE,
 GOLD PLATING OVER NICKEL IN CONTACT AREA.
 TIN PLATING OVER NICKEL IN SOLDER AREA.
 Gold Plating: Selective Gold Plating.



THIS DRAWING MAY NOT BE COPIED OR REPRODUCED IN ANY WAY, AND MAY NOT BE PASSED ON TO A THIRD PARTY WITHOUT WRITTEN PERMISSION. OWNERSHIP AND COPYRIGHT OF CONEC CORPORATION. DO NOT ALTER CAD DRAWING BY HAND	CONEC CORPORATION Brampton, Ontario		tolerance unless otherwise specified Decimal: .xxx Angles: °		scale:
	2005	date	name	Dim. in mm	material: SEE NOTES
	draw.	Feb. 22	Vincent Ke		title: Modular Jack 8P8C Side Entry Shielded Type
	appd.				drawing no.: AutoCAD 2004
	norm				DIN A3 sheet
	d-old				1/1
rev.	description	date	name		part no.: C0502R05A 33TS3004S-88B

X-ON Electronics

Largest Supplier of Electrical and Electronic Components

Click to view similar products for [Modular Connectors / Ethernet Connectors](#) category:

Click to view products by [CONEC](#) manufacturer:

Other Similar products are found below :

[8949-H88/06BLKA/SN](#) [74441-0010/BKN](#) [MP1010RX-1000](#) [MP44RX-1000](#) [PHJ-4P4C-1-V-4](#) [PHP-6P6C-5](#) [GAX-3-66](#) [GAX-8-62](#) [GDCX-PA-66-50](#) [GDCX-PN-64](#) [GDCX-PN-66](#) [GDCX-PN-66-50](#) [GDLX-A-66](#) [GDLX-N-66](#) [GDLX-S-66](#) [GDLX-S-88K](#) [GDLX-SMT-S-88](#) [GDTX-S-88-50](#) [GDX-PA-1010](#) [GLX-N-1010M-BLK](#) [GLX-S-88M-BLK](#) [GMX-N-1010](#) [GMX-S-1010](#) [GMX-S-66](#) [GMX-SMT4-N-88](#) [GPX-2-64](#) [GSGX-N-2-88](#) [GSGX-N-4-88](#) [GSX-NS2-88-3.05](#) [GSX-NS2-88-3.05-50](#) [GSX-NS-88-3.05-50](#) [PT-108A-8C-UL](#) [PT-J951-8C](#) [PTS-J531-8CS-50UL](#) [1-1775629-2](#) [A-2014-0-4](#) [GWLX-S-88-GR](#) [GWLX-S9-88-YG](#) [DC-1021-8-WH-6](#) [1300530003](#) [1324640-4](#) [RJ11FTVC2G](#) [RJ11FTVC2N](#) [RJFTVX2SA1G](#) [132764-001](#) [1413235](#) [MP88X-1000](#) [MPS88RX-5000](#) [E5288-S000K3-L](#) [E5908-15A242-L](#)