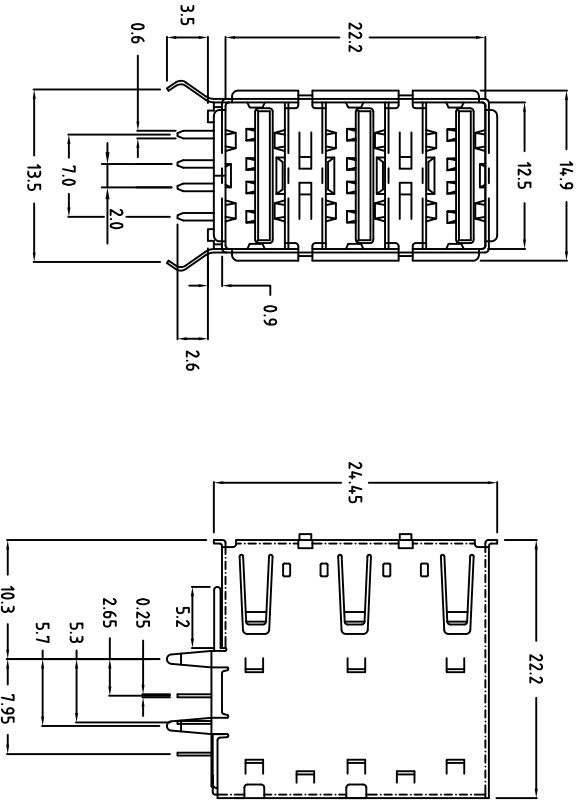


used for:



### MATERIAL:

INSULATOR : PBT +30% GLASS FIBER (UL 94V-0)

CONTACT : PHOSPHOR BRONZE

CONTACT FINISH : GOLD ON MATING END, TIN ON TERMINATION END,

WITH ENTIRE CONTACT NICKEL UNDERPLATED

SHELL : BRASS, NICKEL PLATED

@BACK SHELL : STEEL, NICKEL PLATED

BOTTOM COVER : NYLON, BLACK

### SPECIFICATION:

CURRENT RATING : 1.5AMP

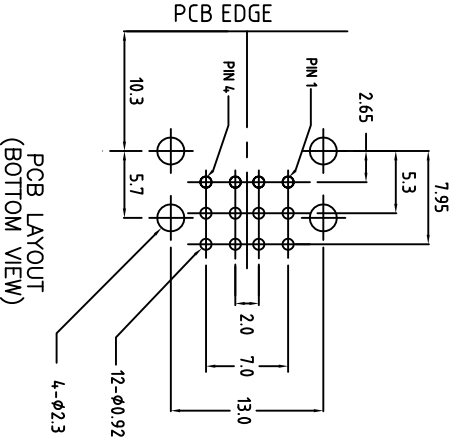
DIELECTRIC WITHSTANDING VOLTAGE : 500V AC

INSULATION RESISTANCE : 1000MΩ MIN.

CONTACT RESISTANCE BEFORE : 30mΩ MAX

CONTACT RESISTANCE AFTER : 50mΩ MAX

OPERATING TEMPERATURE : -20°C ~ +85°C



THIS DRAWING MAY NOT BE COPIED OR REPRODUCED IN ANY WAY, AND MAY NOT BE PASSED ON TO A THIRD PARTY WITHOUT WRITTEN PERMISSION. OWNERSHIP AND COPYRIGHT OF CONEC CORPORATION.

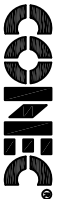
DO NOT ALTER CAD DRAWING BY HAND

rev./description	a	b	1	origin	date	name
					04/25/06	K.Santangelo

tolerance: unless otherwise specified tolerance shall be as follow  
Denimate: xxx Angles: °

finish	name	date	draw.	date	appd.	name
		2006		May 09		Vincent Ke
				May 09		R. Santangelo

Dim. in mm



scale:	material:	title:	drawing no.:	DIN
	SEE MATERIAL	USB Connector A female type PCB R/A (Triple) RoHS compliant	AutocAD 2005 39K1A243	A3
			part no.: 33UBAR-TSNR	sheet 1/1

## X-ON Electronics

Largest Supplier of Electrical and Electronic Components

*Click to view similar products for [USB Connectors](#) category:*

*Click to view products by [CONEC](#) manufacturer:*

Other Similar products are found below :

[65-647-8-BK-BU](#) [950](#) [952](#) [E8144-B01021-L](#) [A-USB B-TOP-C](#) [MUSBA511N5](#) [MUSBD11135](#) [217450-1](#) [KMBVX-TH-5S-B30](#) [896-30-004-00-000000](#) [KUSBVX-BS1N-W30](#) [KUSBX-AP-KIT-SCBLK](#) [KUSBX-AS2N-W](#) [KUSBX-SMT2AP1S-W](#) [KUSBX-SMT2AP1S-W30](#) [935](#) [957](#) [30-498-6](#) [SK-60A-2](#) [17-210051](#) [1734082-1](#) [30-1574](#) [30-470](#) [30-489](#) [30-541](#) [30-572-3](#) [A-USB A-2P-C](#) [MIKROE-1451](#) [USBFTV2PEM2G](#) [USBFTVC6ZN](#) [KUSBX-AS2N-W30](#) [KUSBX-SLAS1N-W](#) [KUSBX-SMT-AS1N-W30](#) [4689-1](#) [1-1734084-2](#) [E8110-001-01](#) [33UBARS1-04SW11](#) [33UBAR-04SW11](#) [USBF21ZNSCC](#) [USBBFTV6ZC](#) [10135326-001LF](#) [M9177/3-1](#) [USB-A-S-F-B-VT](#) [925](#) [4198](#) [690-024-633-031](#) [KUSBEX-BSFS1N-W](#) [USBFTVC6MRG](#) [UA-20BMFA-SL8001](#) [17-250101](#)