

used for:

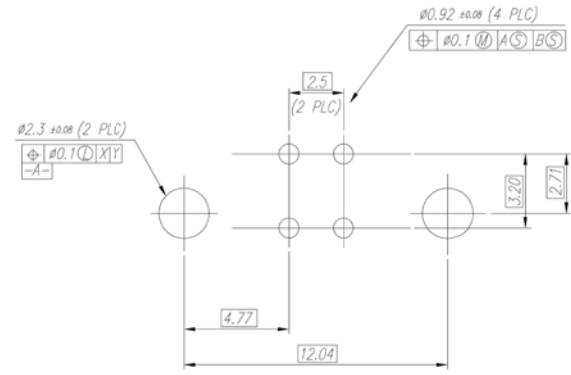
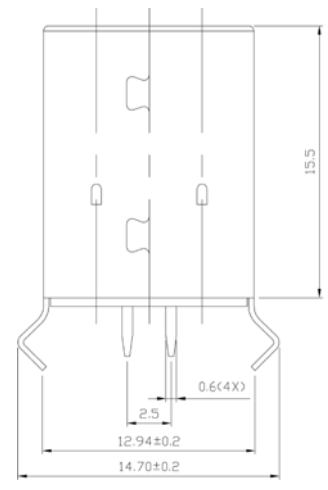
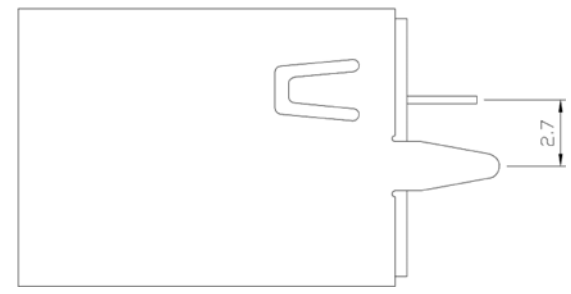
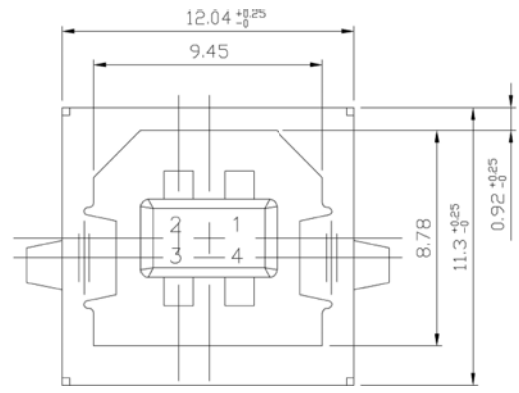
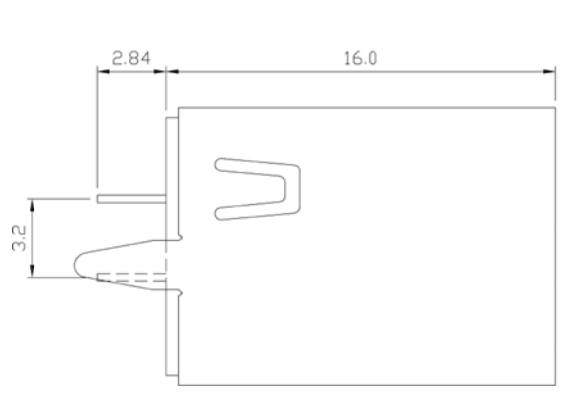


FIGURE A: PCB FOOTPRINT FOR RECEPTACLE (THROUGH-HOLE)

**SPECIFICATIONS**

**Materials**

Insulator: Thermoplastic, Glass Filled, 130°C, UL94V-0 Rated  
 Contact: Copper Alloy  
 Plated: Gold Plating  
 Shell: Copper Alloy

**Electrical**

Insulation Resistance: 1000 Megohms MIN.  
 Contact Resistance: 30 Milliohms Max. Initial  
 Dielectric Withstanding Voltage: 500V AC for one minute  
 Current: 1.0 Ampere Maximum Per Contact At 30°C T-Rise  
 Voltage: 30V AC (rms)  
 Temperature: -55°C ~ 85°C

THIS DRAWING MAY NOT BE COPIED OR REPRODUCED IN ANY WAY, AND MAY NOT BE PASSED ON TO A THIRD PARTY WITHOUT WRITTEN PERMISSION. OWNERSHIP AND COPYRIGHT OF CONEC CORPORATION DO NOT ALTER CAD DRAWING BY HAND

CONEC CORPORATION Brampton, Ontario			tolerance unless otherwise specified Decimat: .xxx Angles: °	scale:
2005	date	name	Dim. in mm	material: See Specifications
draw.	April. 14	Vincent Ke		title: USB 1.1 Version CONNECTOR B TRPE PCB Through Hole
appd.				drawing no.: AutoCAD 2004
norm				DIN A3 sheet
d-old				1/1
rev.	description	date	name	part no.: 33UBBD-04 SW11



DIN A3 sheet 1/1

## X-ON Electronics

Largest Supplier of Electrical and Electronic Components

*Click to view similar products for [USB Connectors](#) category:*

*Click to view products by [CONEC](#) manufacturer:*

Other Similar products are found below :

[65-647-8-BK-BU](#) [950](#) [952](#) [E8144-B01021-L](#) [A-USB B-TOP-C](#) [MUSBA511N5](#) [MUSBD11135](#) [217450-1](#) [KMBVX-TH-5S-B30](#) [896-30-004-00-000000](#) [KUSBVX-BS1N-W30](#) [KUSBX-AP-KIT-SCBLK](#) [KUSBX-AS2N-W](#) [KUSBX-SMT2AP1S-W](#) [KUSBX-SMT2AP1S-W30](#) [935](#) [957](#) [30-498-6](#) [SK-60A-2](#) [17-210051](#) [1734082-1](#) [30-1574](#) [30-470](#) [30-489](#) [30-541](#) [30-572-3](#) [A-USB A-2P-C](#) [MIKROE-1451](#) [USBFTV2PEM2G](#) [USBFTVC6ZN](#) [KUSBX-AS2N-W30](#) [KUSBX-SLAS1N-W](#) [KUSBX-SMT-AS1N-W30](#) [4689-1](#) [1-1734084-2](#) [E8110-001-01](#) [33UBARS1-04SW11](#) [33UBAR-04SW11](#) [USBF21ZNSCC](#) [USBBFTV6ZC](#) [10135326-001LF](#) [M9177/3-1](#) [USB-A-S-F-B-VT](#) [925](#) [4198](#) [690-024-633-031](#) [KUSBEX-BSFS1N-W](#) [USBFTVC6MRG](#) [UA-20BMFA-SL8001](#) [17-250101](#)