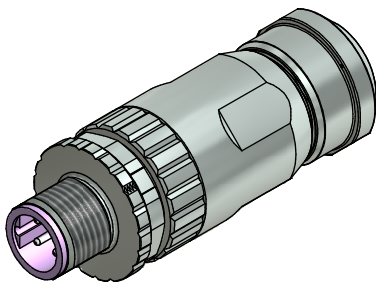
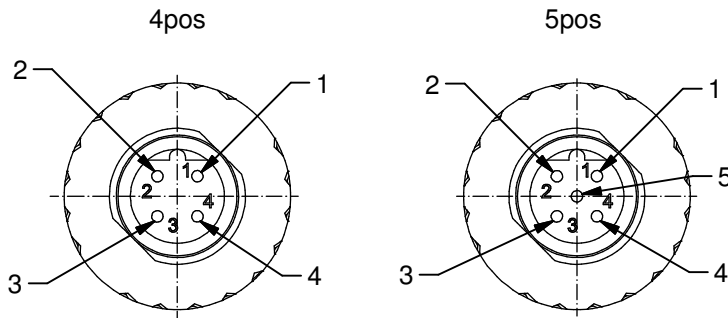


B-coding



(b) Technical specification:

Rated voltage: IEC 61076-2-101	4pos 5pos 250V 60V
Current rating: IEC 61076-2-101	7,5 A at 40°C, with 1,5mm ²
Insulation resistance: IEC 60512	>=100 MΩ
Pollution degree: IEC 60664-1	3/2
Degree of protection: IEC 60529	IP 67, in mated condition
Temperature range: IEC 60664-1	-30°C ... +85°C
Mating cycles: IEC 60512-9a	>=50
Wire cross section:	max. AWG16 / max. 1,50 mm ² (incl. wire end ferrule)

Materials:

Contact:	CuZn
Contact plating:	CUSnZn (white bronze)
Contact carrier:	PA6, UL 94 V-0
Cable seal:	Elastomere
O-Ring:	NBR
Coupling nut:	GD-Zn, Ni plated
Housing:	GD-Zn, Ni plated

Installation specification:

Recommended torque:	0,6 Nm
Conec installation tooling:	Torque wrench: 36-000200 Insert across flats 18: 36-000240
Recommended torque, screw termination contact:	0,3 Nm

(c)

Part no:	Description:	Pos:	Cable-Ø:
43-00282	SAL - 12B - RSC4 - S / 150 / A5220	4	4 - 8 mm
43-00283	SAL - 12B - RSC5 - S / 150 / A5220	5	4 - 8 mm

DO NOT ALTER CAD DRAWING BY HAND Directive 2002/95/EC RoHS compliant	Index: c / 30.05.16 KH A6152 Description expanded		dim. in mm	title: Male connector M12x1, field attachable, shielded, axial, screw termination, Profibus DP dwg no: 43K1A2246 part no: see table
	tolerance of cable:			
	general tolerance:		name	
	0 ± 0,50mm 0,0 ± 0,25mm 0,00 ± 0,10mm		drawn 08.11.13 Strakerjahn appd. 02.01.14 Kühle	
THIS DRAWING MAY NOT BE COPIED OR REPRODUCED IN ANY WAY, AND MAY NOT BE PASSED ON TO A THIRD PARTY WITHOUT WRITTEN PERMISSION. OWNERSHIP AND COPYRIGHT OF CONEC GmbH				

X-ON Electronics

Largest Supplier of Electrical and Electronic Components

Click to view similar products for [Spanners](#) category:

Click to view products by [CONEC](#) manufacturer:

Other Similar products are found below :

[74005](#) [74008](#) [1406504-3](#) [1406504-4](#) [1406504-5](#) [1406504-7](#) [1725859-2](#) [9965](#) [999-16625-001](#) [G70515-18](#) [1055265-1](#) [1055267-1](#) [1-1406504-0](#) [1055787-1](#) [DCH.91.251.PA](#) [TG70-18](#) [TG70](#) [G62748-11](#) [DPH.99.005.2K](#) [DCP.91.045.TN](#) [1055512-1](#) [1055276-1](#) [R282303020](#) [TA-0456](#) [DCA.91.149.0TN](#) [TA-0436](#) [TA-0398](#) [TOL-222901](#) [74_Z-0-0-193](#) [294GB-5069-17-N](#) [74_Z-0-0-2](#) [523200-4](#) [294GB-5070-25-A](#) [74_Z-0-0-79](#) [294GB-5070-17-A](#) [74_Z-0-0-321](#) [TOL-171801](#) [PR23350](#) [1490262-2](#) [9968](#) [AC24VS](#) [80117](#) [DCN.91.149.0TK](#) [BT-A-6010CAGE](#) [R282340000](#) [BT-BS-609WT](#) [BT-A-6000B](#) [R282303000](#) [BT-BS-610R](#) [BT-BS-610RT](#)