

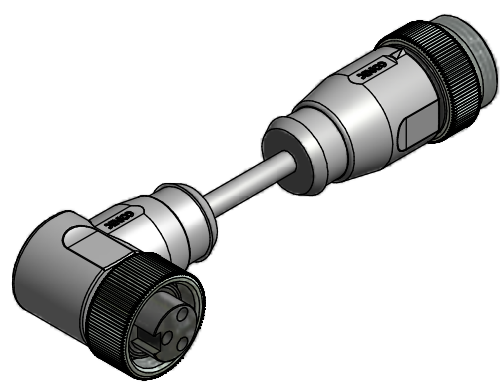
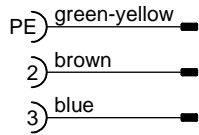
**Technical specification:**

Rated voltage: IEC 60664-1	300 V
Overvoltage category: IEC 60664-1	2
Overvoltage: IEC 60664-1	2,7 kV
Current rating: IEC 60512-3 at 40°C	0,75mm <sup>2</sup> 1,5mm <sup>2</sup> 8 A 12 A
Insulation resistance: IEC 60512	>=100 MΩ
Pollution degree: IEC 60664-1	3/2
Degree of protection: IEC 60529	IP 68, in mated condition
Temperature range: IEC 60664-1	-30°C ... +80°C
Mating cycles: IEC 60512-9a	>=100
Termination:	crimped

**Materials:**

Contact:	CuZn
Contact plating:	Nickel, gold plated
Contact carrier:	TPU, UL 94
Coupling nut/ screw:	CuZn, nickel plated
Moulding body:	TPU, UL 94, grey

**Contact assignment:**



Part no:	Description:	Length L:	Cable:
41-01201	SAL - 7/8 - RKW2PE - RS2PE - 0,6 / A6	0,6m	PVC, UL 20207, grey, 3x0,75mm <sup>2</sup> Cable: 781-A67300
41-01202	SAL - 7/8 - RKW2PE - RS2PE - 1 / A6	1m	
41-01203	SAL - 7/8 - RKW2PE - RS2PE - 1,5 / A6	1,5m	
41-01204	SAL - 7/8 - RKW2PE - RS2PE - 2 / A6	2m	
41-xxxxx	SAL - 7/8 - RKW2PE - RS2PE - ... / A6	x	
41-01249	SAL - 7/8 - RKW2PE - RS2PE - 0,6 / A6 / 150	0,6m	PVC, UL 20207, grey, 3x1,50mm <sup>2</sup> Cable: 781-A68300
41-01250	SAL - 7/8 - RKW2PE - RS2PE - 1 / A6 / 150	1m	
41-01251	SAL - 7/8 - RKW2PE - RS2PE - 1,5 / A6 / 150	1,5m	
41-01252	SAL - 7/8 - RKW2PE - RS2PE - 2 / A6 / 150	2m	
41-xxxxx	SAL - 7/8 - RKW2PE - RS2PE - ... / A6 / 150	x	

D see data sheet cable

DO NOT ALTER CAD DRAWING BY HAND	Directive 2002/95/EC RoHS compliant	Index: b 14.02.11 VF Ä3891 cable type changed, technical specification changed, part no. cable in table added, neutral line added	dim. in mm	<b>title:</b> Connecting cable 7/8", female connector angled - male connector axial  <b>dwg no:</b> 41K1A357  <b>part no:</b> see table									
		tolerance of cable: L ≤ 4m: L + 40mm L > 4m: L + 1%	<table border="1" style="width:100%; border-collapse: collapse; font-size: 8px;"> <tr> <td style="width: 10%;"></td> <td style="width: 10%;">date</td> <td style="width: 80%;">name</td> </tr> <tr> <td>drawn</td> <td>11.02.08</td> <td>Franz</td> </tr> <tr> <td>appd.</td> <td>11.02.08</td> <td>Mankopf</td> </tr> </table>			date	name	drawn	11.02.08	Franz	appd.	11.02.08	Mankopf
			date		name								
		drawn	11.02.08		Franz								
appd.	11.02.08	Mankopf											
THIS DRAWING MAY NOT BE COPIED OR REPRODUCED IN ANY WAY, AND MAY NOT BE PASSED ON TO A THIRD PARTY WITHOUT WRITTEN PERMISSION. OWNERSHIP AND COPYRIGHT OF CONEC GmbH													
<div style="display: flex; align-items: center;"> <span style="font-size: 12px; font-weight: bold;">CONEC®</span> </div>													

## X-ON Electronics

Largest Supplier of Electrical and Electronic Components

*Click to view similar products for [Sensor Cables / Actuator Cables](#) category:*

*Click to view products by [CONEC](#) manufacturer:*

Other Similar products are found below :

[60963](#) [60964](#) [703000D02F2002](#) [703000D02F300](#) [703001D02F0602](#) [703001D02F300](#) [704000D02F120](#) [773032K02F030](#) [802027107404-1](#)  
[802027213811-1](#) [804001A09M150](#) [805001A09M0502](#) [84914-0235](#) [84914-0237](#) [885030A09M020](#) [1200651332](#) [1200651713](#) [1200660844](#)  
[1200660845](#) [1200661173](#) [1200680071](#) [1200720053](#) [1200720081](#) [1200720099](#) [1200720217](#) [1200800231](#) [1200860125](#) [1200870123](#)  
[1200980102](#) [1200650267](#) [1200650298](#) [1200660183](#) [1200660782](#) [1200660849](#) [1200661295](#) [1200661297](#) [1200661342](#) [1200661343](#)  
[1200670080](#) [1200670220](#) [1200680331](#) [1200720252](#) [1200730184](#) [1200860344](#) [1200870359](#) [1200870643](#) [1200980008](#) [1200980031](#)  
[1210502211](#) [1210400542](#)