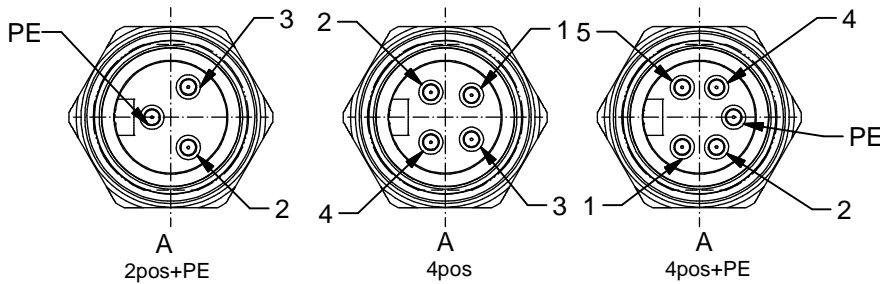
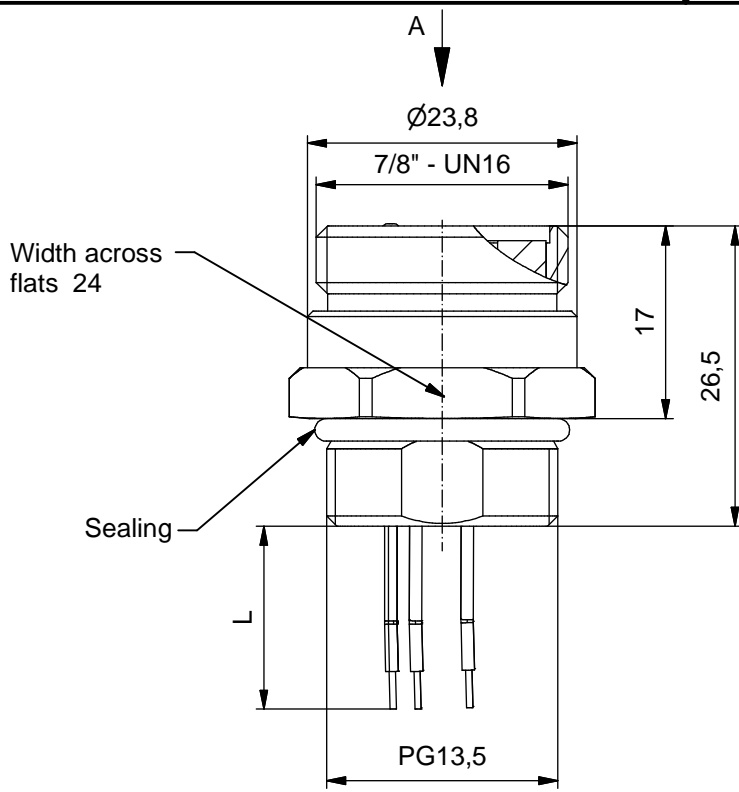


**Technical specification:**

Rated voltage: IEC 60664-1	300 V
Overvoltage category: IEC 60664-1	2
Overvoltage: IEC 60664-1	2,7 kV
Current rating: IEC 60512-3 at 40°C	AWG 18 8 A    AWG 16 12 A
Insulation resistance: IEC 60512	>=100 MΩ
Pollution degree: IEC 60664-1	3/2
Degree of protection: IEC 60529	IP 67, in mated condition
Temperature range: IEC 60664-1	-30°C ... +75°C
Mating cycles: IEC 60512-9a	>=100
Termination:	crimped

**Materials:**

Contact:	CuZn
Contact plating:	Nickel, gold plated
Contact carrier:	TPU, UL 94
Sealing:	FPM
Socket housing:	CuZn, nickel plated
Counternut:	CuZn, nickel plated



**Contact assignment:**

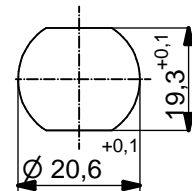
- PE ■ green-yellow
- 2 ■ brown
- 3 ■ blue

**Contact assignment:**

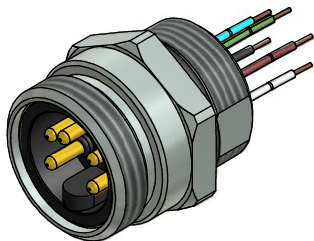
- 1 ■ brown
- 2 ■ white
- 3 ■ blue
- 4 ■ black

**Contact assignment:**

- 1 ■ black
- 2 ■ blue
- PE ■ green-yellow
- 4 ■ brown
- 5 ■ white



Minimum wall thickness  
2,5mm, alternativ panel  
cut-out d=20,6



Part no:	Description:	Pos	Length L:	Wire:
41-40000	SAL - 7/8 - FS2PE - 0,5	3	0,5m	AWG 18 PVC, UL
41-40001	SAL - 7/8 - FS4 - 0,5	4	0,5m	
41-40002	SAL - 7/8 - FS4PE - 0,5	5	0,5m	
41-xxxxx	SAL - 7/8 - FS... - ...	x	x	
41-40009	SAL - 7/8 - FS2PE - 0,5 / 150	3	0,5m	AWG 16 PVC, UL
41-40010	SAL - 7/8 - FS4 - 0,5 / 150	4	0,5m	
41-40011	SAL - 7/8 - FS4PE - 0,5 / 150	5	0,5m	
41-xxxxx	SAL - 7/8 - FS... - ... / 150	x	x	

DO NOT ALTER CAD DRAWING BY HAND Directive 2002/95/EC RoHS compliant	Index: d 18.10.11 fro Ä4130 Temperatur changed	dim. in mm	<b>title:</b> <b>Male socket 7/8" with wires, frontmounting</b>	
	tolerance of wire: L ≤ 0,5m: L + 20mm L > 0,5m: L + 4%	date		
	general tolerance: 0 ± 0,50mm 0,0 ± 0,25mm 0,00 ± 0,10mm	drawn	20.02.07	Fromm
	THIS DRAWING MAY NOT BE COPIED OR REPRODUCED IN ANY WAY, AND MAY NOT BE PASSED ON TO A THIRD PARTY WITHOUT WRITTEN PERMISSION. OWNERSHIP AND COPYRIGHT OF CONEC GmbH	appd.	10.08.08	W.Schmidt
		<b>dwg no:</b> <b>41K1A376</b>		
		<b>part no:</b>		

## X-ON Electronics

Largest Supplier of Electrical and Electronic Components

*Click to view similar products for [Circular Metric Connectors](#) category:*

*Click to view products by [CONEC](#) manufacturer:*

Other Similar products are found below :

[600X518037X](#) [6STD15PCR99B70A](#) [8R4000A16M020](#) [8R5000A16M005](#) [1200910002](#) [1203580030](#) [1200910008](#) [1200910011](#) [1300140094](#)  
[130203-0054](#) [1300140026](#) [1300150099](#) [RF-12S1N8A90DU](#) [1-3637-600-5205](#) [1612618](#) [21036836414](#) [8R4006A16M010](#) [8R5006A18A120](#)  
[1604232](#) [1R3006A20M005](#) [RF-12P1N8A80DU](#) [RF-12P1N8A90DU](#) [41-40011](#) [42-01015](#) [4-22279-4](#) [4-22281-1](#) [4-22284-9](#) [43-01088](#) [43-](#)  
[01203](#) [41-40013](#) [42-00008](#) [43-00343](#) [43-01032](#) [43-01162](#) [43-10000](#) [600X518050X](#) [SACC-DSI-FS-5P-PG9-L180 SC](#) [8R5006A16M020](#)  
[8R5006A16M005](#) [8R4000A16M010](#) [6-22279-3](#) [1605332](#) [N03FA03144](#) [1300140077](#) [43-01338](#) [XS2RD4265](#) [RSC 4/9](#) [XS2R-D426-1](#)  
[XS8A-0441](#) [859RD04-103R004](#)