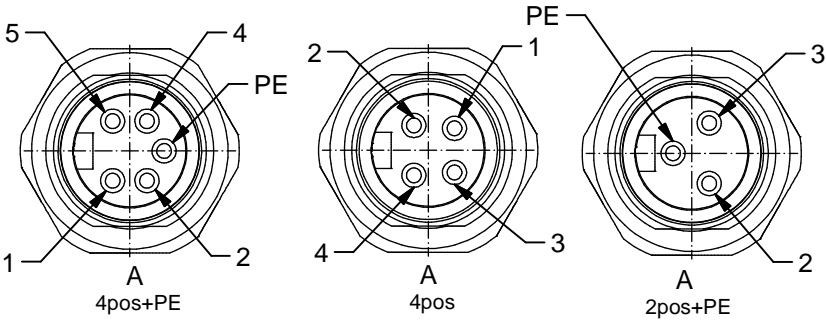


Technical specification:

Rated voltage: IEC 60664-1	300V
Overvoltage category: IEC 60664-1	2
Overvoltage: IEC 60664-1	2,7 kV
Current rating: IEC 60664-1	2PE 4PE 16 A 16 A
Insulation resistance: IEC 60512	>=100 MΩ
Pollution degree: IEC 60664-1	3/2
Degree of protection: IEC 60529	IP 67, in mated condition
Temperature range: EN 60512-11-10 EN 60512-11-4	-30°C ... +85°C -40°C -40°C ... +85°C
Mating cycles: IEC 60512-9a	>=100
Termination:	crimped



Wire specification:

Temperatur range static	-30°C ... +105°C
flexibel	-5°C ... +105°C

Materials:

Contact:	CuZn, Ni b / Au 0,2 gal.
Contact carrier:	TPU, UL 94 HB
Sealing:	FPM
Socket housing:	CuZn, nickel plated
Grouting:	Polyurethane-resin, UL 94

Contact assignment:

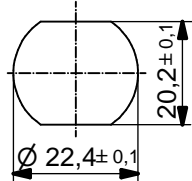
- 1 ■ black
- 2 ■ blue
- PE ■ green-yellow
- 4 ■ brown
- 5 ■ white

Contact assignment:

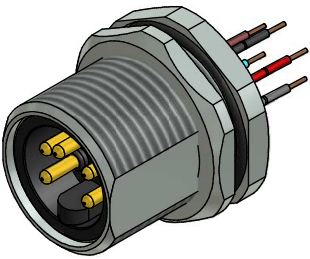
- 1 ■ brown
- 2 ■ white
- 3 ■ blue
- 4 ■ black

Contact assignment:

- PE ■ green-yellow
- 2 ■ brown
- 3 ■ blue



Minimum wall thickness 2,5mm, alternativ panel cut-out d=22,4



Part-no.:	Description:	Pos	Length L:	Wire:
41-40003	SAL - 7/8 - FSH2PE - 0,5	3	0,5m	AWG 18 PVC, UL
41-40004	SAL - 7/8 - FSH4 - 0,5	4	0,5m	
41-40005	SAL - 7/8 - FSH4PE - 0,5	5	0,5m	
41-xxxxx	SAL - 7/8 - FSH... - ...	x	x	
41-40012	SAL - 7/8 - FSH2PE - 0,5 / 150	3	0,5m	AWG 16 PVC, UL
41-40013	SAL - 7/8 - FSH4 - 0,5 / 150	4	0,5m	
41-40014	SAL - 7/8 - FSH4PE - 0,5 / 150	5	0,5m	
41-xxxxx	SAL - 7/8 - FSH... - ... / 150	x	x	
41-40123	SAL - 7/8 - FSH2PE - 0,5 / 250	3	0,5m	AWG 14 PVC, UL
41-40126	SAL - 7/8 - FSH4 - 0,5 / 250	4	0,5m	
41-40124	SAL - 7/8 - FSH4PE - 0,5 / 250	5	0,5m	
41-xxxxx	SAL - 7/8 - FSH... - ... / 250	x	x	

DO NOT ALTER CAD DRAWING BY HAND RoHS & REACH compliant	Index: f 27.08.15 fro Ä5785 Data sheet with new layout, part no. added	dim. in mm	title: Male Socket 7/8" with wire, backmounting	
	tolerance of wire: L ≤ 0,5m: L + 20mm L > 0,5m: L + 4%	date: 08.10.08 name: Fromm		
	general tolerance: 0 ± 0,50mm 0,0 ± 0,25mm 0,00 ± 0,10mm ± 1,5°	drawn: 10.11.08 appd.: W.Schmidt	dwg no: 41K1A375	
THIS DRAWING MAY NOT BE COPIED OR REPRODUCED IN ANY WAY, AND MAY NOT BE PASSED ON TO A THIRD PARTY WITHOUT WRITTEN PERMISSION. OWNERSHIP AND COPYRIGHT OF CONEC GmbH				

X-ON Electronics

Largest Supplier of Electrical and Electronic Components

Click to view similar products for [Circular Metric Connectors](#) category:

Click to view products by [CONEC](#) manufacturer:

Other Similar products are found below :

[600X518037X](#) [6STD15PCR99B70A](#) [8R4000A16M020](#) [8R5000A16M005](#) [1200910002](#) [1203580030](#) [1200910008](#) [1200910011](#) [1300140094](#)
[130203-0054](#) [1300140026](#) [1300150099](#) [RF-12S1N8A90DU](#) [1-3637-600-5205](#) [1612618](#) [21036836414](#) [8R4006A16M010](#) [8R5006A18A120](#)
[1604232](#) [1R3006A20M005](#) [RF-12P1N8A80DU](#) [RF-12P1N8A90DU](#) [41-40011](#) [42-01015](#) [4-22279-4](#) [4-22281-1](#) [4-22284-9](#) [43-01088](#) [43-](#)
[01203](#) [41-40013](#) [42-00008](#) [43-00343](#) [43-01032](#) [43-01162](#) [43-10000](#) [600X518050X](#) [SACC-DSI-FS-5P-PG9-L180 SC](#) [8R5006A16M020](#)
[8R5006A16M005](#) [8R4000A16M010](#) [6-22279-3](#) [1605332](#) [N03FA03144](#) [1300140077](#) [43-01338](#) [XS2RD4265](#) [RSC 4/9](#) [XS2R-D426-1](#)
[XS8A-0441](#) [859RD04-103R004](#)